

# Wkładki topikowe NH 500V gG z wybijakiem

**Typ:** NH000-NH4a

**Charakterystyka:** gG

**Prąd znamionowy:** 2-1600A

**Napięcie znamionowe:** 500V AC

**Zwarciova zdolność wyłączenia:** 120kA

**Wg normy:** IEC PN 60269-1

**Budowa:** Korpus ze steatytu,  
styki miedziane srebrzone,  
bez zawartości Cd i Pb,  
pokrywy aluminiowe  
chwytki w wersji nieizolowanej



**Wkładki topikowe gG 500V AC z wybijakiem**

| U <sub>n</sub> | Wielkość | I <sub>n</sub><br>[A] | Strata mocy<br>P <sub>n</sub> [W] | Opakowanie | Uchwyty nieizolowane |             |          |
|----------------|----------|-----------------------|-----------------------------------|------------|----------------------|-------------|----------|
|                |          |                       |                                   |            | Typ                  | Nr artykułu |          |
| 500V           | 000      | 2                     | 0,7                               | 3          | M000GL2K             | N5010913    |          |
|                |          | 4                     | 0,7                               |            | M000GL4K             | N5011213    |          |
|                |          | 6                     | 0,8                               |            | M000GL6K             | N5011413    |          |
|                |          | 10                    | 1,1                               |            | M000GL10K            | N5011713    |          |
|                |          | 16                    | 1,6                               |            | M000GL16K            | N5012213    |          |
|                |          | 20                    | 1,7                               |            | M000GL20K            | N5012413    |          |
|                |          | 25                    | 1,9                               |            | M000GL25K            | N5012613    |          |
|                |          | 32                    | 2,5                               |            | M000GL32K            | N5012913    |          |
|                |          | 35                    | 3,5                               |            | M000GL35K            | N5013113    |          |
|                |          | 40                    | 3,0                               |            | M000GL40K            | N5013413    |          |
|                |          | 50                    | 3,9                               |            | M000GL50K            | N5013513    |          |
|                |          | 63                    | 5,4                               |            | M000GL63K            | N5013813    |          |
|                |          | 80                    | 6,1                               |            | M000GL80K            | N5014113    |          |
|                |          | 100                   | 6,9                               |            | M000GL100K           | N5014313    |          |
|                | 00       | 125                   | 8,9                               | 3          | M00GL125/K           | N5014613    |          |
|                |          | 160                   | 11,2                              |            | M00GL160/K           | N5014913    |          |
|                | 1        | 1                     | 35                                | 4,5        | 3                    | M1GL35K     | N1013124 |
|                |          |                       | 40                                | 4,4        |                      | M1GL40K     | N1013424 |
|                |          |                       | 50                                | 5,7        |                      | M1GL50K     | N1013524 |
|                |          |                       | 63                                | 6,0        |                      | M1GL63K     | N1013824 |
|                |          |                       | 80                                | 6,5        |                      | M1GL80K     | N1014124 |
|                |          |                       | 100                               | 9,1        |                      | M1GL100K    | N1014324 |
|                |          |                       | 125                               | 12,9       |                      | M1GL125K    | N1014624 |
|                |          |                       | 160                               | 14,9       |                      | M1GL160K    | N1014924 |
|                |          |                       | 200                               | 16,5       |                      | M1GL200K    | N1015224 |
|                |          |                       | 224                               | 16,7       |                      | M1GL224K    | N1015324 |
|                |          |                       | 250                               | 21,6       |                      | M1GL250K    | N1015624 |

**Wkładki topikowe gG 500V AC z wybijakiem**

| U <sub>n</sub> | Wielkość | I <sub>n</sub> [A] | Strata mocy P <sub>n</sub> [W] | Opakowanie | Uchwyty nieizolowane |             |          |          |
|----------------|----------|--------------------|--------------------------------|------------|----------------------|-------------|----------|----------|
|                |          |                    |                                |            | Typ                  | Nr artykułu |          |          |
| 500V           | 2        | 63                 | 5,7                            | 3          | M2GL63K              | N2013824    |          |          |
|                |          | 80                 | 7,1                            |            | M2GL80K              | N2014124    |          |          |
|                |          | 100                | 8,1                            |            | M2GL100K             | N2014324    |          |          |
|                |          | 125                | 9,5                            |            | M2GL125K             | N2014624    |          |          |
|                |          | 160                | 14,9                           |            | M2GL160K             | N2014924    |          |          |
|                |          | 200                | 16,9                           |            | M2GL200K             | N2015224    |          |          |
|                |          | 224                | 17,1                           |            | M2GL224K             | N2015324    |          |          |
|                |          | 250                | 21,8                           |            | M2GL250K             | N2015624    |          |          |
|                |          | 300                | 22,5                           |            | M2GL300K             | N2015824    |          |          |
|                |          | 315                | 23,7                           |            | M2GL315K             | N2015924    |          |          |
|                |          | 355                | 26,9                           |            | M2GL355K             | N2016024    |          |          |
|                |          | 400                | 30,5                           |            | M2GL400K             | N2016224    |          |          |
|                |          | 3                  | 200                            |            | 16,9                 | 3           | M3GL200K | N3015224 |
|                |          |                    | 224                            |            | 17,1                 |             | M3GL224K | N3015324 |
|                | 250      |                    | 21,8                           | M3GL250K   | N3015624             |             |          |          |
|                | 300      |                    | 22,5                           | M3GL300K   | N3015824             |             |          |          |
|                | 315      |                    | 23,7                           | M3GL315K   | N3015924             |             |          |          |
|                | 355      |                    | 26,9                           | M3GL355K   | N3016024             |             |          |          |
|                | 400      |                    | 30,5                           | M3GL400K   | N3016224             |             |          |          |
|                | 425      |                    | 34,5                           | M3GL425K   | N3016324             |             |          |          |
|                | 500      |                    | 39,0                           | M3GL500K   | N3016624             |             |          |          |
|                | 630      |                    | 47,6                           | M3GL630K   | N3016924             |             |          |          |
|                | 4a       | 500                | 36,5                           | 1          | M4AGL500K            | N4016624    |          |          |
|                |          | 630                | 43,5                           |            | M4AGL630K            | N4016924    |          |          |
|                |          | 800                | 59,5                           |            | M4AGL800K            | N4017224    |          |          |
|                |          | 1000               | 84,0                           |            | M4AGL1000K           | N4017624    |          |          |
|                |          | 1250               | 104,0                          |            | M4AGL1250K           | N4017924    |          |          |
|                |          | 1500               | 126,0                          |            | M4AGL1500K           | N4018224    |          |          |
|                |          | 1600               | 146,0                          |            | M4AGL1600K           | N4018324    |          |          |



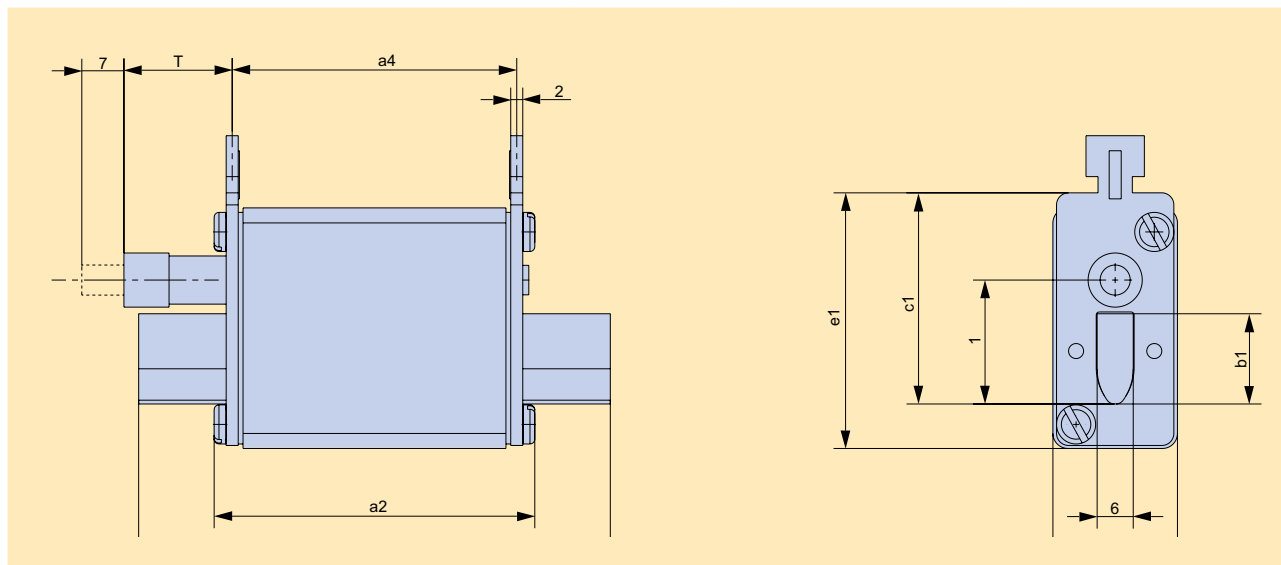
Rozłącznik LTL



Mechaniczna kontrola stanu bezpiecznika z wybijakiem montowana w rozłącznikach LTL

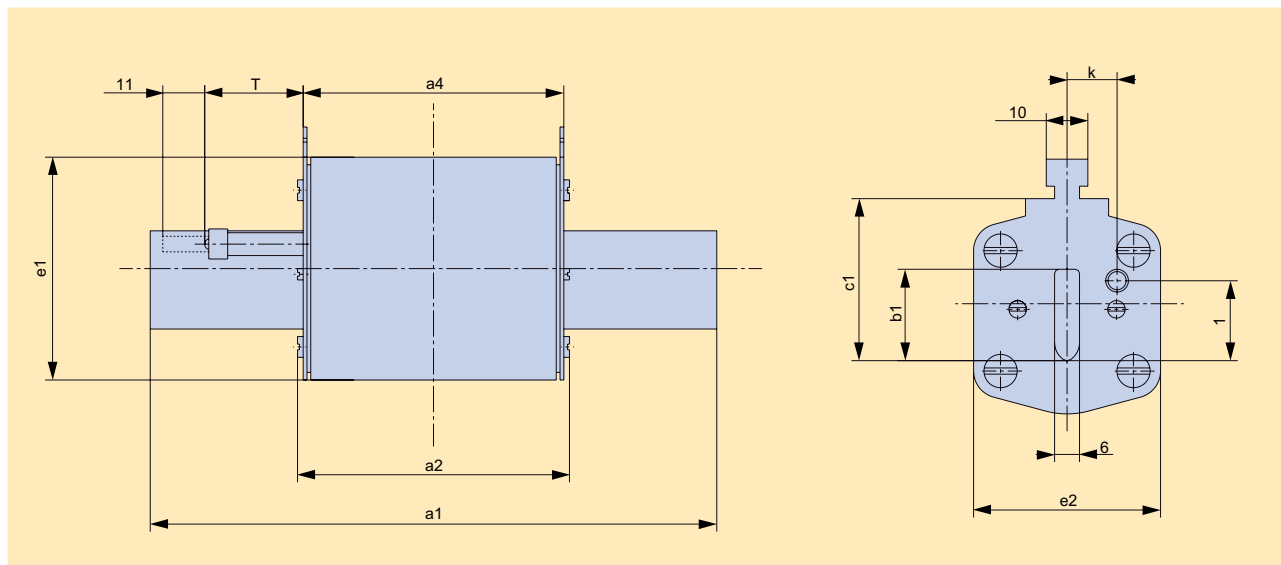
### Dane techniczne

| Typ                           |       |    | M000GL...(/K)                    | M00GL...(/K) |
|-------------------------------|-------|----|----------------------------------|--------------|
| Wielkość                      |       |    | NH000                            | NH00         |
| Napięcie znamionowe           | $U_n$ | V  | AC500V                           |              |
| Prąd znamionowy               | $I_n$ | A  | 2-100                            | 125-160      |
| Zwarciova zdolność wyłączenia | -     | kA | 120                              |              |
| Charakterystyka               |       |    | gG                               |              |
| Normy                         |       |    | IEC/PN 60269-1<br>DIN VDE 0636-2 |              |
| Wymiary                       | a1    | mm | 78,5                             | 78,5         |
|                               | a2    |    | 53                               | 53           |
|                               | a4    |    | 49                               | 49           |
|                               | b1    |    | 15                               | 15           |
|                               | c1    |    | 35                               | 35           |
|                               | e1    |    | 43                               | 49           |
|                               | e2    |    | 21                               | 30           |
| Wymiary z wybijakiem          | T     |    | 17                               | 17           |
|                               | k     |    | -                                | -            |
|                               | l     |    | 20,5                             | 20,5         |
| Waga                          | -     | g  | 125                              | 173          |



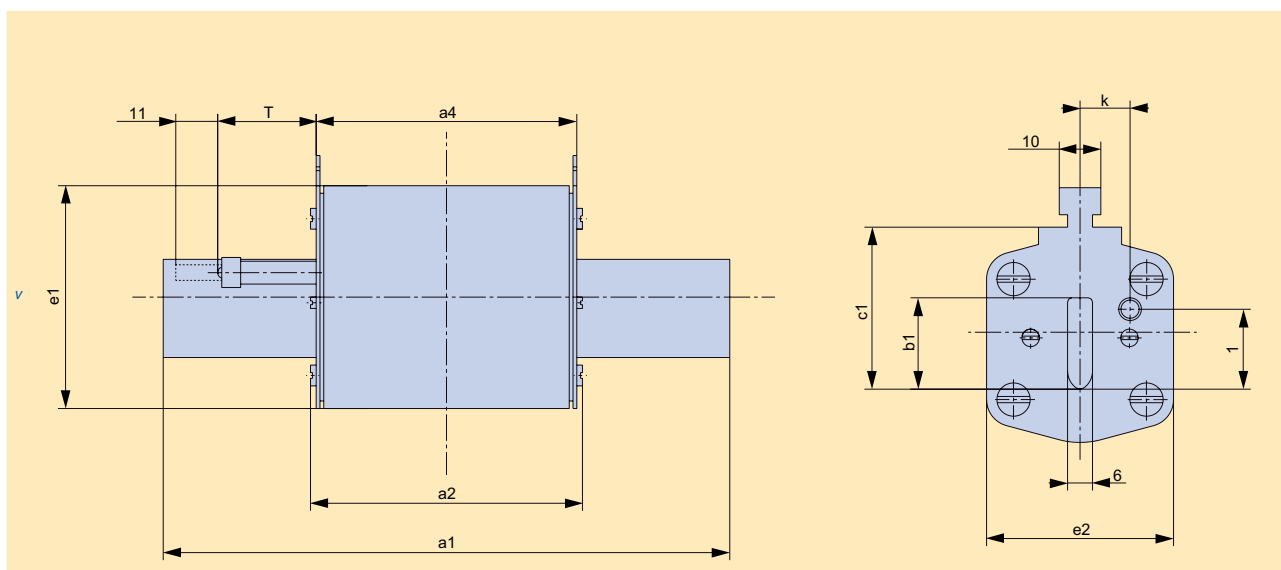
### Dane techniczne

| Typ / Type                    |       |    | M1GL...(/K)                      |         | M2GL...(/K)                      |         |
|-------------------------------|-------|----|----------------------------------|---------|----------------------------------|---------|
| Wielkość                      |       |    | NH1                              |         | NH2                              |         |
| Napięcie znamionowe           | $U_n$ | V  | AC500                            |         | AC500                            |         |
| Prąd znamionowy               | $I_n$ | A  | 6-160                            | 200-250 | 63-250                           | 300-400 |
| Zwarciova zdolność wyłączenia | -     | kA | 120                              |         | 120                              |         |
| Charakterystyka               |       |    | gG                               |         | gG                               |         |
| Normy                         |       |    | IEC/PN 60269-1<br>DIN VDE 0636-2 |         | IEC/PN 60269-1<br>DIN VDE 0636-2 |         |
| Wymiary                       | a1    | mm | 135                              | 135     | 150                              | 150     |
|                               | a2    |    | 68                               | 72      | 72                               | 72      |
|                               | a4    |    | 67                               | 67      | 67                               | 67      |
|                               | b1    |    | 15                               | 20      | 20                               | 26      |
|                               | c1    |    | 40                               | 40      | 48                               | 48      |
|                               | e1    |    | 50                               | 55      | 63                               | 63      |
|                               | e2    |    | 28                               | 46      | 46                               | 54      |
| Wymiary z wybijkaniem         | T     |    | -                                | 26      | -                                | 26      |
|                               | k     |    | -                                | 13,7    | -                                | 16,2    |
|                               | l     |    | -                                | 20,5    | -                                | 27,3    |
| Waga                          | -     | g  | 233                              | 430     | 430                              | 500     |

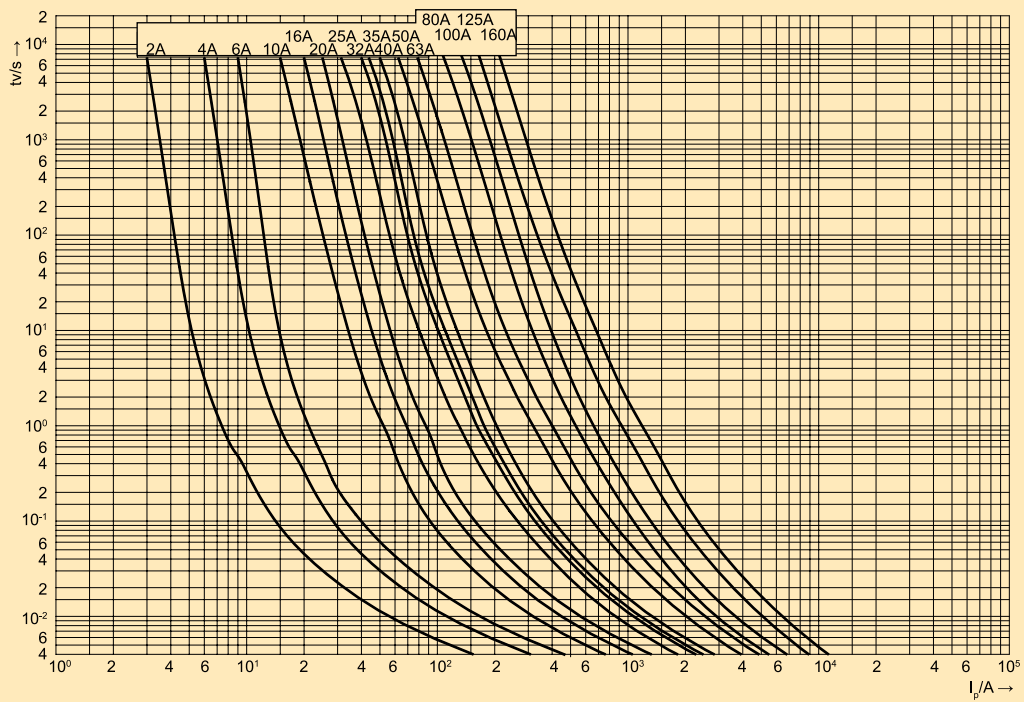


## Dane techniczne

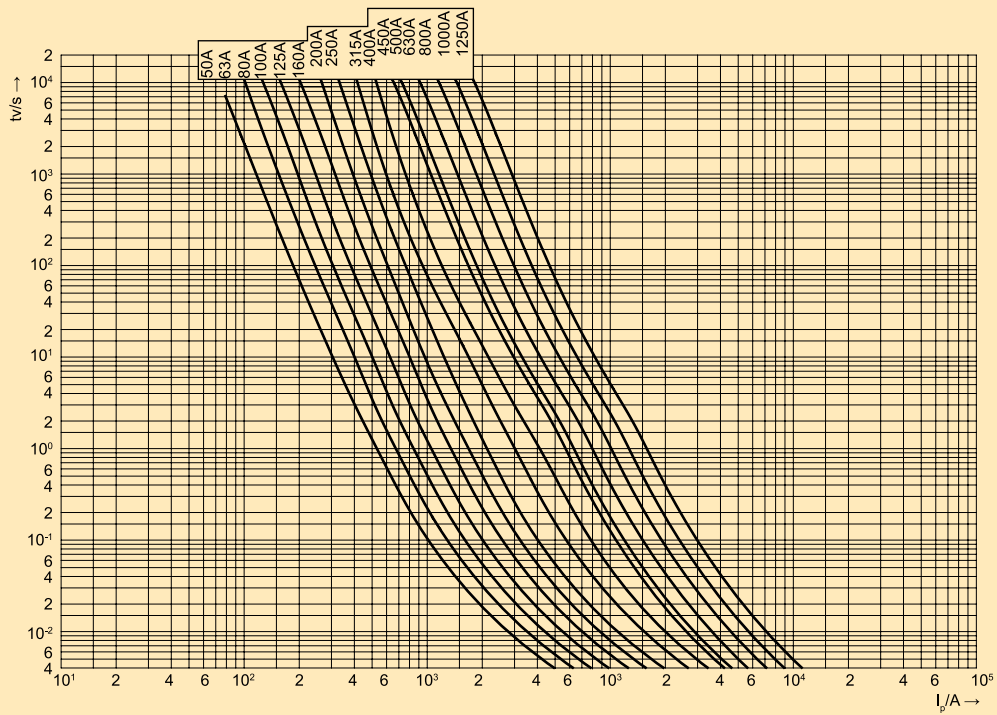
| Typ                           |       |    | M3GL...(/K)    |         |     | M4GL...(/K)    |
|-------------------------------|-------|----|----------------|---------|-----|----------------|
| Wielkość                      |       |    | NH3            |         |     | NH4a           |
| Napięcie znamionowe           | $U_n$ | V  | AC500          |         |     | AC500          |
| Prąd znamionowy               | $I_n$ | A  | 250-400        | 425-630 | 800 | 250-1600       |
| Zwarciova zdolność wyłączenia | -     | kA | 120            |         | 80  | 120            |
| Charakterystyka               |       |    | gG             |         |     | gG             |
| Normy                         |       |    | IEC/PN 60269-1 |         |     | DIN VDE 0636-2 |
| Wymiary                       | a1    | mm | 150            | 150     | 150 | 200            |
|                               | a2    |    | 72             | 72      | 73  | 98             |
|                               | a4    |    | 67             | 67      | 67  | 90             |
|                               | b1    |    | 26             | 33      | 37  | 50             |
|                               | c1    |    | 60             | 60      | 60  | 85             |
|                               | e1    |    | 74             | 74      | 76  | 112            |
|                               | e2    |    | 54             | 65      | 73  | 96             |
| Wymiary z wybijakiem          | T     |    | -              | 26      | -   | 26             |
|                               | k     |    | -              | 17      | -   | 24             |
|                               | l     |    | -              | 35,6    | -   | 49             |
| Waga                          | -     | g  | 510            | 923     | 940 | 2170           |



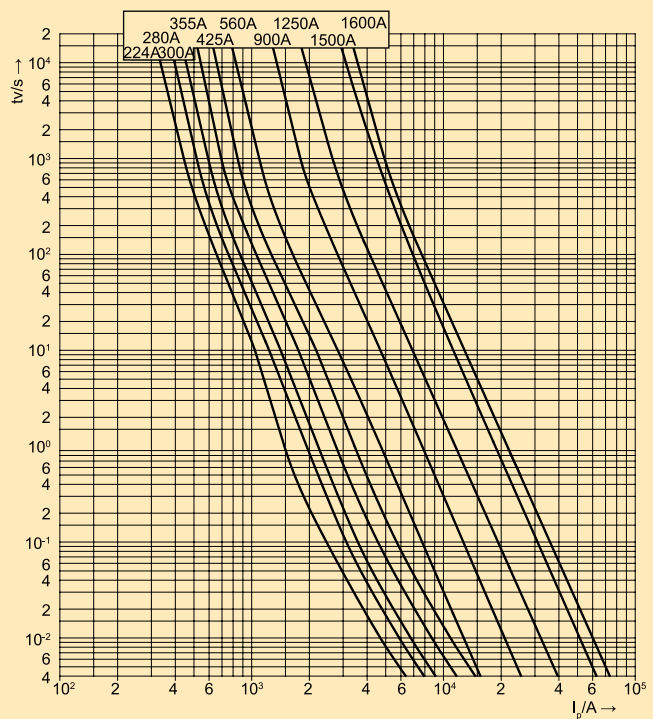
**Charakterystyka czasowo-prądowa**



**Charakterystyka czasowo-prądowa**



Charakterystyka czasowo-prądowa



Charakterystyka prądu ograniczonego

