

Wkładki topikowe DIN110 NH 1000V AC aR

Typ: DIN110 NH1 - NH3

Charakterystyka: aR

Prąd znamionowy: 63-1000A

Napięcie znamionowe: 1000V AC

Zwarciova zdolność wyłączenia: 100kA

Wg normy: IEC/PN 60269-1

Budowa: Korpus ze steatytu,
styki miedziane srebrzone,
bez zawartości Cd i Pb

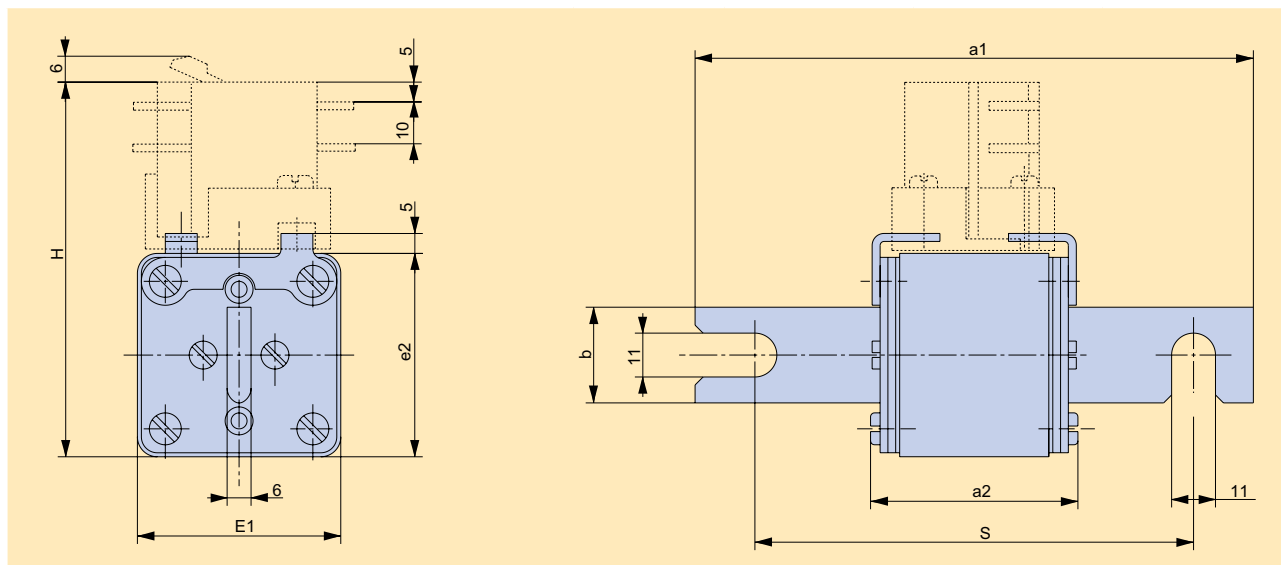


Wkładki topikowe przykręcane aR 1000V AC

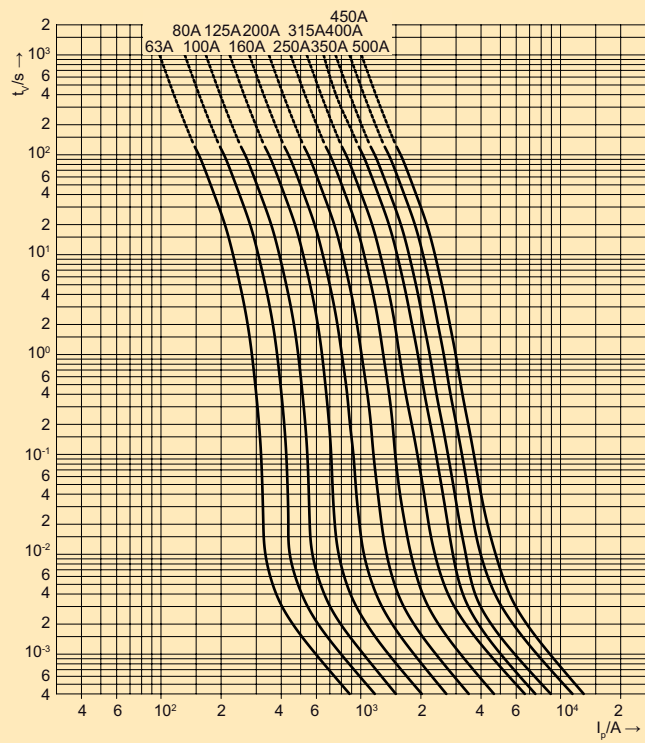
U _n	Wielkość	I _n [A]	Całka Joule'a wyłączenia I ² t[A ² s]	Całka Joule'a przedłukowa I ² t[A ² s]	Straty mocy P _n [W]	Opakowanie	Typ	Wskaźnik	
								Wskaźnik górný	Wskaźnik środkowy
								Nr artykułu	Nr artykułu
1000V	1	63	2.000	310	15,0	1	S1üf0/110/63A/1000V	R1043821	R1043822
		80	3.500	580	20,0		S1üf0/110/80A/1000V	R1044121	R1044122
		100	6.300	1.000	25,0		S1üf0/110/100A/1000V	R1044321	R1044322
		125	11.000	1.750	30,0		S1üf0/110/125A/1000V	R1044621	R1044622
		160	17.500	2.750	35,0		S1üf0/110/160A/1000V	R1044921	R1044922
		200	31.000	5.000	44,0		S1üf0/110/200A/1000V	R1045221	R1045222
		250	51.500	8.100	54,0		S1üf0/110/250A/1000V	R1045621	R1045622
		315	110.000	18.000	60,0		S1üf0/110/315A/1000V	R1045921	R1045922
		350	149.000	22.000	65,0		S1üf0/110/350A/1000V	R1046021	R1046022
		400	201.000	33.000	70,0		S1üf0/110/400A/1000V	R1046221	R1046222
		450	302.000	51.000	74,0		S1üf0/110/450A/1000V	R1046421	R1046422
	500	402.000	65.000	79,0	S1üf0/110/500A/1000V	R1046621	R1046622		
	2	315	88.000	15.000	65,0	1	S2üf0/110/315A/1000V	R2045921	R2045922
		350	120.000	19.000	70,0		S2üf0/110/350A/1000V	R2046021	R2046022
		400	175.000	27.000	80,0		S2üf0/110/400A/1000V	R2046221	R2046222
		450	210.000	35.000	85,0		S2üf0/110/450A/1000V	R2046421	R2046422
		500	315.000	55.000	90,0		S2üf0/110/500A/1000V	R2046621	R2046622
		630	610.000	98.000	108,0		S2üf0/110/630A/1000V	R2046921	R2046922
	3	500	260.000	42.000	100,0	3	S3üf0/110/500A/1000V	R3046621	R3046622
		630	510.000	80.000	112,0		S3üf0/110/630A/1000V	R3046921	R3046922
		710	690.000	100.000	130,0		S3üf0/110/710A/1000V	R3047021	R3047022
800		900.000	150.000	140,0	S3üf0/110/800A/1000V		R3047221	R3047222	
1000		2.100.000	310.000	156,0	S3üf0/110/1000A/1000V		R3047621	R3047622	

Dane techniczne

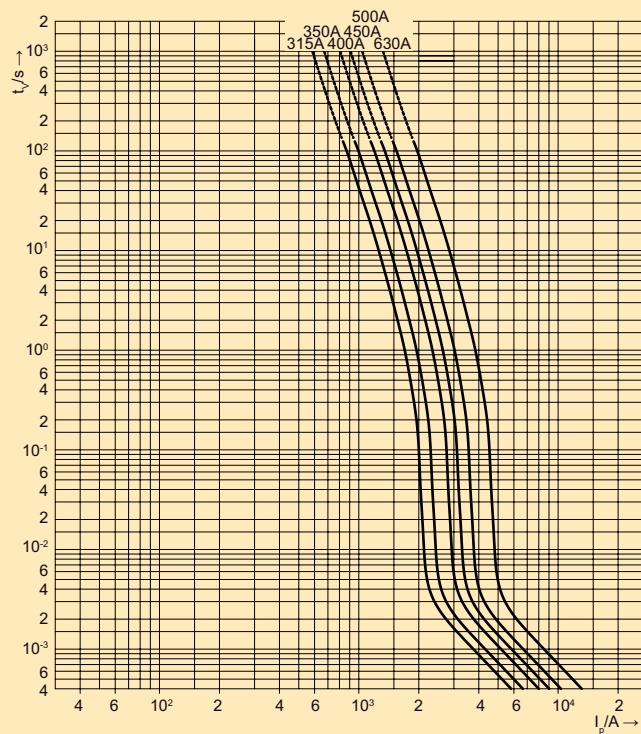
Typ			S1(M)	S2(M)	S3(M)
			üfo/110/.../1000V	üfo/110/.../1000V	üfo/110/.../1000V
Wielkość			NH1	NH2	NH3
Napięcie znamionowe	U_n	V	AC1000	AC1000	AC1000
Prąd znamionowy	I_n	A	63-500	315-630	500-1000
Zwarciova zdolność wyłączenia	-	kA		100	
Charakterystyka				aR	
Normy				IEC/PN 60269-1 IEC/PN 60269-4 DIN VDE 0636-2	
Rozstaw otworów do przykręcenia	S	mm	110	110	110
Wymiary	a1	mm	140	140	140
	a2		74	74	74
	e1 e2		51	60	75
	b		24	30	37
	H		90	99	114
Waga	-	g	500	650	850



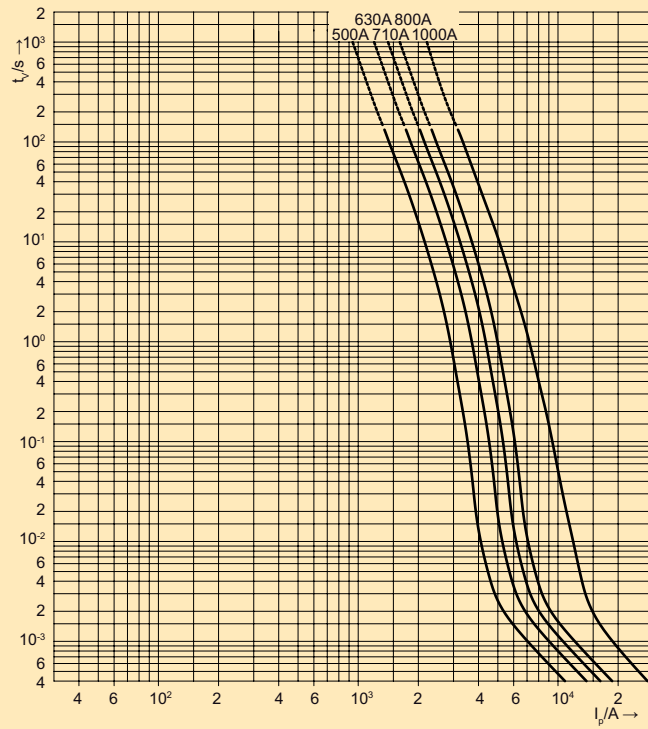
Charakterystyka czasowo-prądowa



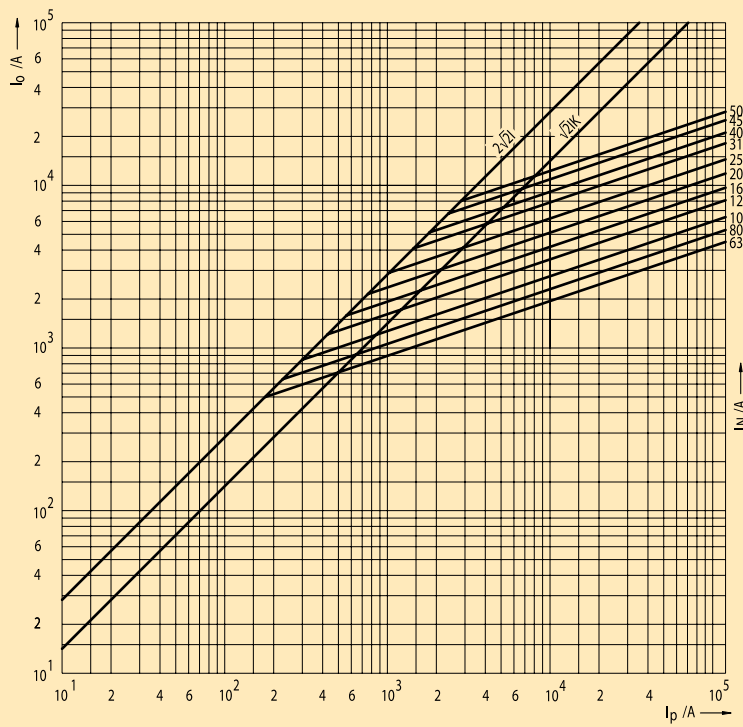
Charakterystyka czasowo-prądowa



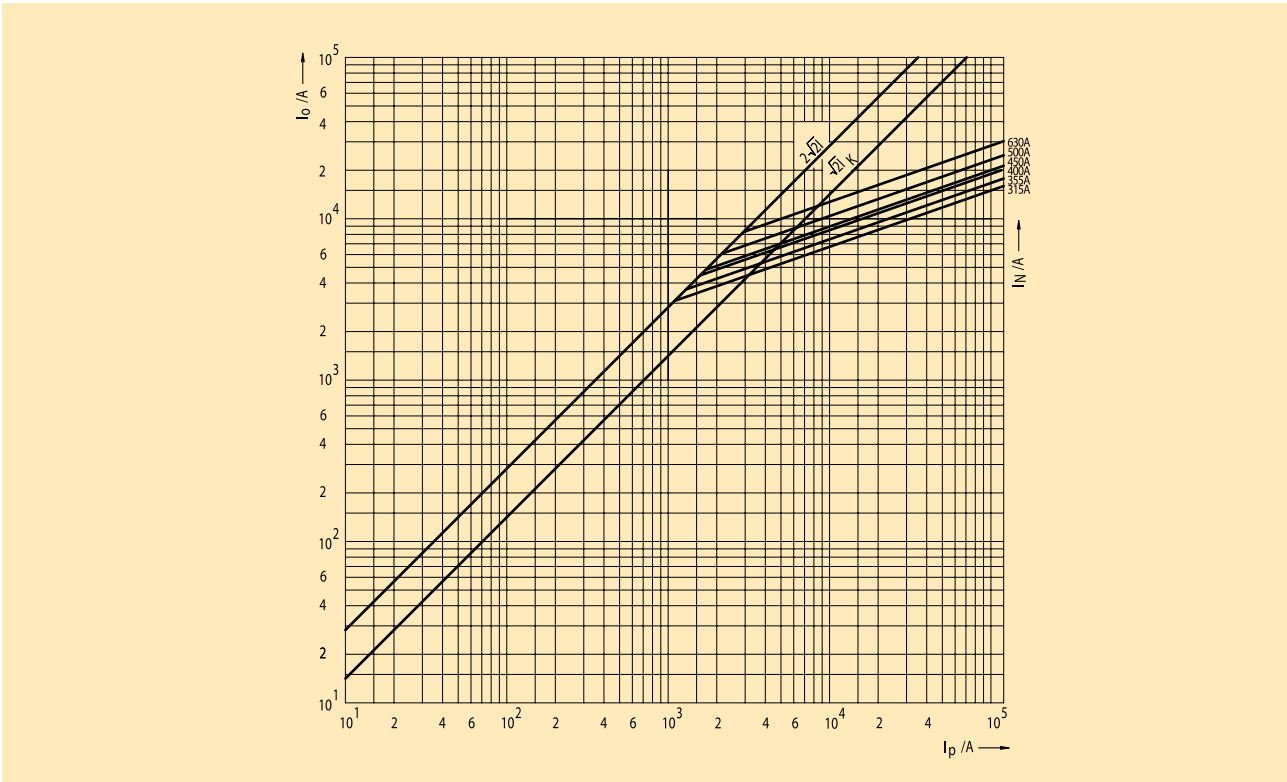
Charakterystyka czasowo-prądowa



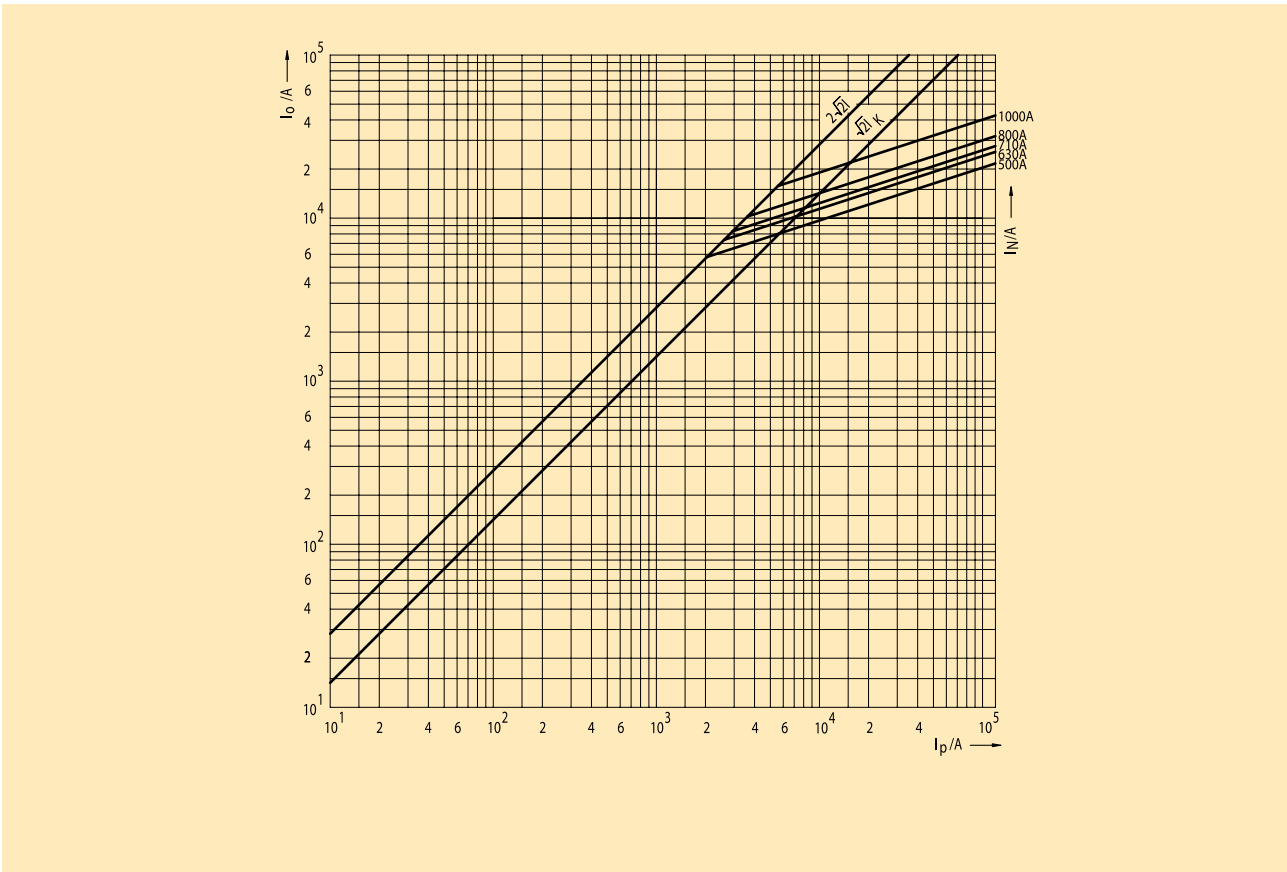
Charakterystyka prądu ograniczonego



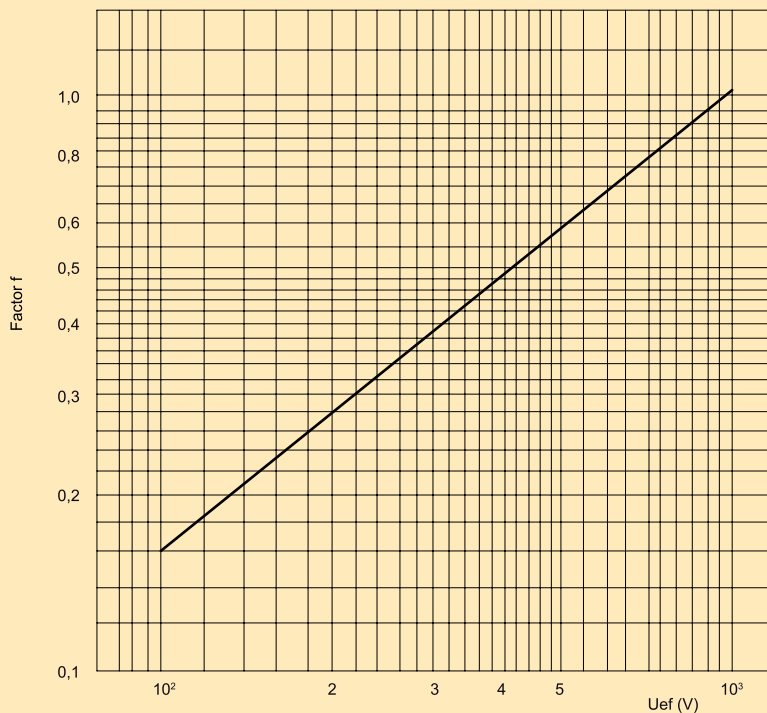
Charakterystyka prądu ograniczonego



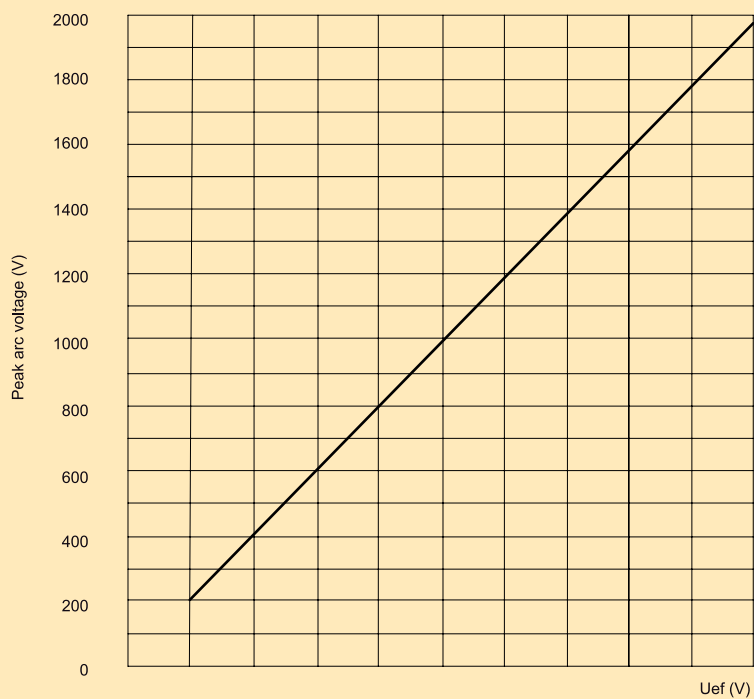
Charakterystyka prądu ograniczonego



Współczynnik korekcyjny dla określenie wartości całki wyłączenia



Maksymalny spadek napięcia łuku



Współczynnik korekcyjny dla wartości całki wyłączenia I²t



Współczynnik korekcyjny C	0,005	0,025	0,063	0,122	0,204	0,31	0,442	0,6	0,785	1
Obciążenie %	10	20	30	40	50	60	70	80	90	100

Protistor® size 70 aR

1100 to 1250VAC (IEC) / 1300VAC (UL)

SEMICONDUCTOR PROTECTION FUSES

SQUARE BODY HIGH-SPEED FUSE-LINKS AC PROTECTION



The 1250/1300V Protistor® fuse-links provide maximum flexibility in equipment design and ultimate protection for today's power conversion equipment. These aR ultra-fast acting square body fuse-links are available in different body sizes, each size having multiple worldwide acceptable mounting styles.

The Protistor® have been engineered to provide state-of-the-art protection for semiconductors: diodes, thyristors, GTO's and IGBT devices. Fuses are assembled with pure silver, die-cut elements embedded in solidified sand, which helps control arcing characteristics for a lower I²t and high interrupting rating level. All contact surfaces are silver plated and all hardware is non-magnetic.

All fuse-links can be equipped with a low voltage trip-indicator which can operate a field mountable microswitch.

TECHNICAL DATA OVERVIEW

Voltage Range AC	1100 ... 1250 VAC
Ampere Range (A)	50 ... 500 A
Speed/Characteristic	aR
I.R. AC (kA)	100 kA
Product Size	70

FEATURES & BENEFITS

- Multiple body sizes and terminals or blades combination
- aR Class according to VDE 636-23 and IEC 60269-4
- Very low I²t for improved semiconductor protection
- Ultra fast acting
- Current limiting
- Superior cycling capability
- Increased technical performances: higher ratings and reduction in volume and weight

APPLICATIONS

- Protection of inverters, motor drives, UPS systems and similar 690V or less equipments.

STANDARDS

- IEC 60269-4 Compliance
- UL/CSA Recognized E76491
- CCC GB 13539.4



Protistor® size 70 aR

1100 to 1250VAC (IEC) / 1300VAC (UL)

PRODUCT RANGE

Size 70 type TTI 5/16"-18 unified coarse threaded terminals

Catalog number	Reference number	Rated voltage AC (IEC)	Rated voltage AC (UL)	Rated current I _n	Pre-arcing I ² t	Clearing I ² t at Rated Voltage	Rated breaking capacity AC	Power dissipation at I _n	Weight	Package
A130UD70TTI63	Q301015	1250 V	1300 V	63 A	210 A ² s	1680 A ² s	100 kA	26 W	0.335 kg	3
A130UD70TTI80	R301016	1250 V	1300 V	80 A	470 A ² s	3780 A ² s	100 kA	27 W	350 g	3
A130UD70TTI100	S301017	1250 V	1300 V	100 A	830 A ² s	6750 A ² s	100 kA	30 W	350 g	3
A130UD70TTI125	T301018	1250 V	1300 V	125 A	1310 A ² s	10500 A ² s	100 kA	38 W	350 g	3
A130UD70TTI160	V301019	1250 V	1300 V	160 A	2570 A ² s	21000 A ² s	100 kA	45 W	0.35 kg	3
A130UD70TTI200	W301020	1250 V	1300 V	200 A	4730 A ² s	38000 A ² s	100 kA	54 W	350 g	3
A130UD70TTI250	X301021	1250 V	1300 V	250 A	9580 A ² s	77000 A ² s	100 kA	58 W	0.35 kg	3
A130UD70TTI280	Y301022	1200 V	1300 V	280 A	14200 A ² s	106000 A ² s	100 kA	61 W	350 g	3
A130UD70TTI315	Z301023	1200 V	1300 V	315 A	20000 A ² s	149000 A ² s	100 kA	66 W	0.35 kg	3
A120UD70TTI350	A301024	1100 V	1200 V	350 A	27800 A ² s	180000 A ² s	100 kA	68 W	350 g	3



PC70UD13C200TF

Size 70 type TTF M8 threaded terminals

Catalog number	Reference number	Rated voltage AC (IEC)	Rated voltage AC (UL)	Rated current I _n	Pre-arcing I ² t	Clearing I ² t at Rated Voltage	Rated breaking capacity AC	Power dissipation at I _n	Weight	Package
PC70UD13C50TF	C301095	1250 V	1300 V	50 A	120 A ² s	980 A ² s	100 kA	16 W	0.339 kg	3
PC70UD13C63TF	M300483	1250 V	1300 V	63 A	210 A ² s	1680 A ² s	100 kA	26 W	0.339 kg	3
PC70UD13C80TF	N300484	1250 V	1300 V	80 A	470 A ² s	3780 A ² s	100 kA	27 W	0.339 kg	3
PC70UD13C100TF	P300485	1250 V	1300 V	100 A	830 A ² s	6750 A ² s	100 kA	30 W	0.339 kg	3
PC70UD13C125TF	Q300486	1250 V	1300 V	125 A	1310 A ² s	10500 A ² s	100 kA	38 W	0.339 kg	3
PC70UD13C160TF	R300487	1250 V	1300 V	160 A	2570 A ² s	21000 A ² s	100 kA	45 W	0.339 kg	3
PC70UD13C200TF	S300488	1250 V	1300 V	200 A	4730 A ² s	38000 A ² s	100 kA	54 W	0.339 kg	3
PC70UD13C250TF	T300489	1250 V	1300 V	250 A	9580 A ² s	77000 A ² s	100 kA	58 W	0.339 kg	3
PC70UD12C280TF	N300714	1200 V	1300 V	280 A	14200 A ² s	106000 A ² s	100 kA	61 W	0.339 kg	3
PC70UD12C315TF	V300490	1200 V	1300 V	315 A	20000 A ² s	149000 A ² s	100 kA	66 W	0.339 kg	3
PC70UD11C350TF	W300491	1100 V	1200 V	350 A	27800 A ² s	180000 A ² s	100 kA	68 W	0.339 kg	3
PC70UD11C400TF	E300867	1100 V	1200 V	400 A	38700 A ² s	254000 A ² s	100 kA	81 W	0.339 kg	3
PC70UD11C450TF	H301284	1100 V	1200 V	450 A	61700 A ² s	405000 A ² s	100 kA	82 W	340 g	3
PC70UD10C500TF	J301285	1000 V	1100 V	500 A	84000 A ² s	483000 A ² s	100 kA	83 W	0.339 kg	3

Size 70 type long slotted blades

Catalog number	Reference number	Rated voltage AC (IEC)	Rated voltage AC (UL)	Rated current I _n	Pre-arcing I ² t	Clearing I ² t at Rated Voltage	Rated breaking capacity AC	Power dissipation at I _n	Weight	Package
A130UD70LI063	W300652	1250 V	1300 V	63 A	210 A ² s	1680 A ² s	100 kA	26 W	0.3766 kg	3
A130UD70LI080	X300653	1250 V	1300 V	80 A	470 A ² s	3780 A ² s	100 kA	27 W	0.3766 kg	3
A130UD70LI100	Y300654	1250 V	1300 V	100 A	830 A ² s	6750 A ² s	100 kA	30 W	0.3766 kg	3
A130UD70LI125	Z300655	1250 V	1300 V	125 A	1310 A ² s	10500 A ² s	100 kA	38 W	0.3766 kg	3
A130UD70LI160	A300656	1250 V	1300 V	160 A	2570 A ² s	21000 A ² s	100 kA	45 W	0.3766 kg	3
A130UD70LI200	B300657	1250 V	1300 V	200 A	4730 A ² s	38000 A ² s	100 kA	56 W	0.3766 kg	3
A130UD70LI250	C300658	1250 V	1300 V	250 A	9580 A ² s	77000 A ² s	100 kA	61 W	0.3333 kg	3
A130UD70LI280	Q300716	1200 V	1300 V	280 A	14200 A ² s	106000 A ² s	100 kA	64 W	0.3766 kg	3
A130UD70LI315	D300659	1200 V	1300 V	315 A	20000 A ² s	149000 A ² s	100 kA	72 W	0.3766 kg	3
A120UD70LI350	E300660	1100 V	1200 V	350 A	27800 A ² s	180000 A ² s	100 kA	75 W	0.3766 kg	3

Protistor® size 70 aR

1100 to 1250VAC (IEC) / 1300VAC (UL)

PRODUCT RANGE

Size 70 type NH style blade contacts

Catalog number	Reference number	Rated voltage AC (IEC)	Rated voltage AC (UL)	Rated current I _n	Pre-arcing I ² t	Clearing I ² t at Rated Voltage	Rated breaking capacity AC	Power dissipation at I _n	Weight	Package
PC70UD13C50PA	J301423	1250 V	1300 V	50 A	120 A ² s	980 A ² s	100 kA	16 W	370 g	3
PC70UD13C63PA	A301185	1250 V	1300 V	63 A	210 A ² s	1680 A ² s	100 kA	26 W	0.364 kg	3
PC70UD13C80PA	M301242	1250 V	1300 V	80 A	470 A ² s	3780 A ² s	100 kA	27 W	0.364 kg	3
PC70UD13C100PA	J301124	1250 V	1300 V	100 A	830 A ² s	6750 A ² s	100 kA	30 W	0.364 kg	3
PC70UD13C125PA	K301125	1250 V	1300 V	125 A	1310 A ² s	10500 A ² s	100 kA	38 W	0.364 kg	3
PC70UD13C160PA	D301188	1250 V	1300 V	160 A	2570 A ² s	21000 A ² s	100 kA	45 W	0.364 kg	3
PC70UD13C200PA	Z300839	1250 V	1300 V	200 A	4730 A ² s	38000 A ² s	100 kA	56 W	370 g	3

Size 70 for bolted connections

Catalog number	Reference number	Rated voltage AC (IEC)	Rated voltage AC (UL)	Rated current I _n	Pre-arcing I ² t	Clearing I ² t at Rated Voltage	Rated breaking capacity AC	Power dissipation at I _n	Weight	Package
PC70UD13C63EF	P300600	1250 V	1300 V	63 A	210 A ² s	1680 A ² s	100 kA	26 W	0.358 kg	3
PC70UD13C80EF	Q300601	1250 V	1300 V	80 A	470 A ² s	3780 A ² s	100 kA	27 W	0.358 kg	3
PC70UD13C100EF	R300602	1250 V	1300 V	100 A	830 A ² s	6750 A ² s	100 kA	30 W	0.358 kg	3
PC70UD13C125EF	S300603	1250 V	1300 V	125 A	1310 A ² s	10500 A ² s	100 kA	38 W	0.358 kg	3
PC70UD13C160EF	T300604	1250 V	1300 V	160 A	2570 A ² s	21000 A ² s	100 kA	45 W	0.358 kg	3
PC70UD13C200EF	V300605	1250 V	1300 V	200 A	4730 A ² s	38000 A ² s	100 kA	56 W	0.358 kg	3
PC70UD13C250EF	W300606	1250 V	1300 V	250 A	9580 A ² s	77000 A ² s	100 kA	61 W	0.358 kg	3
PC70UD12C280EF	L300712	1200 V	1300 V	280 A	14200 A ² s	106000 A ² s	100 kA	64 W	360 g	3
PC70UD12C315EF	X300607	1200 V	1300 V	315 A	20000 A ² s	149000 A ² s	100 kA	72 W	0.358 kg	3
PC70UD11C350EF	Y300608	1100 V	1200 V	350 A	27800 A ² s	180000 A ² s	100 kA	75 W	360 g	3

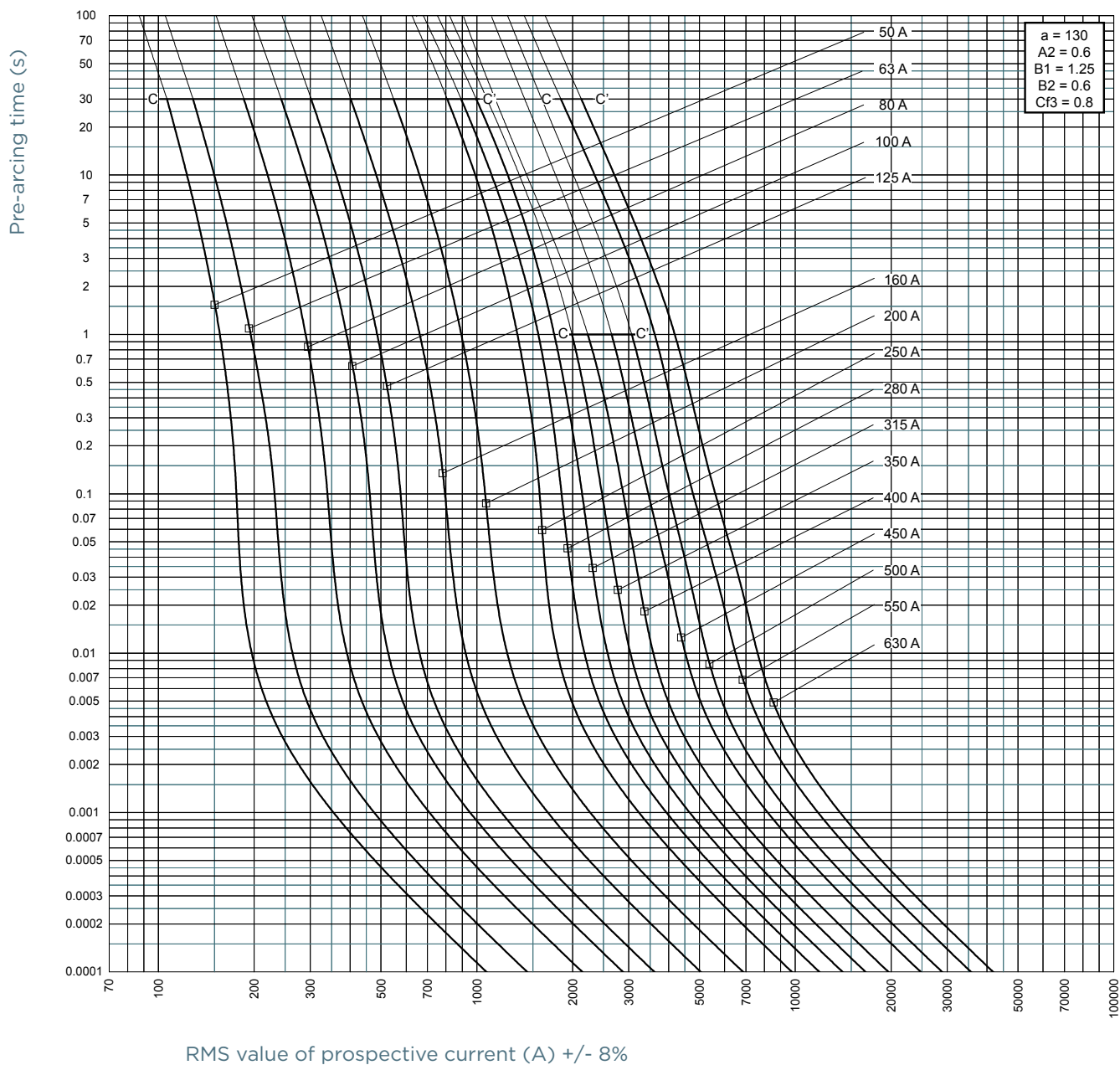


PC70UD13C200D1A

Size 70 type DIN110

Catalog number	Reference number	Rated voltage AC (IEC)	Rated voltage AC (UL)	Rated current I _n	Pre-arcing I ² t	Clearing I ² t at Rated Voltage	Rated breaking capacity AC	Power dissipation at I _n	Weight	Package
PC70UD13C63D1A	V300536	1250 V	1300 V	63 A	210 A ² s	1680 A ² s	100 kA	26 W	0.3633 kg	3
PC70UD13C80D1A	W300537	1250 V	1300 V	80 A	470 A ² s	3780 A ² s	100 kA	27 W	0.3633 kg	3
PC70UD13C100D1A	X300538	1250 V	1300 V	100 A	830 A ² s	6750 A ² s	100 kA	30 W	0.3633 kg	3
PC70UD13C125D1A	Y300539	1250 V	1300 V	125 A	1310 A ² s	10500 A ² s	100 kA	38 W	0.3633 kg	3
PC70UD13C160D1A	Z300540	1250 V	1300 V	160 A	2570 A ² s	21000 A ² s	100 kA	45 W	0.3633 kg	3
PC70UD13C200D1A	A300541	1250 V	1300 V	200 A	4730 A ² s	38000 A ² s	100 kA	56 W	0.3633 kg	3
PC70UD13C250D1A	B300542	1250 V	1300 V	250 A	9580 A ² s	77000 A ² s	100 kA	61 W	0.3633 kg	3
PC70UD12C280D1A	J300710	1200 V	1300 V	280 A	14200 A ² s	106000 A ² s	100 kA	64 W	0.3633 kg	3
PC70UD12C315D1A	C300543	1200 V	1300 V	315 A	20000 A ² s	149000 A ² s	100 kA	72 W	0.3633 kg	3
PC70UD11C350D1A	D300544	1100 V	1200 V	350 A	27800 A ² s	180000 A ² s	100 kA	75 W	0.3633 kg	3

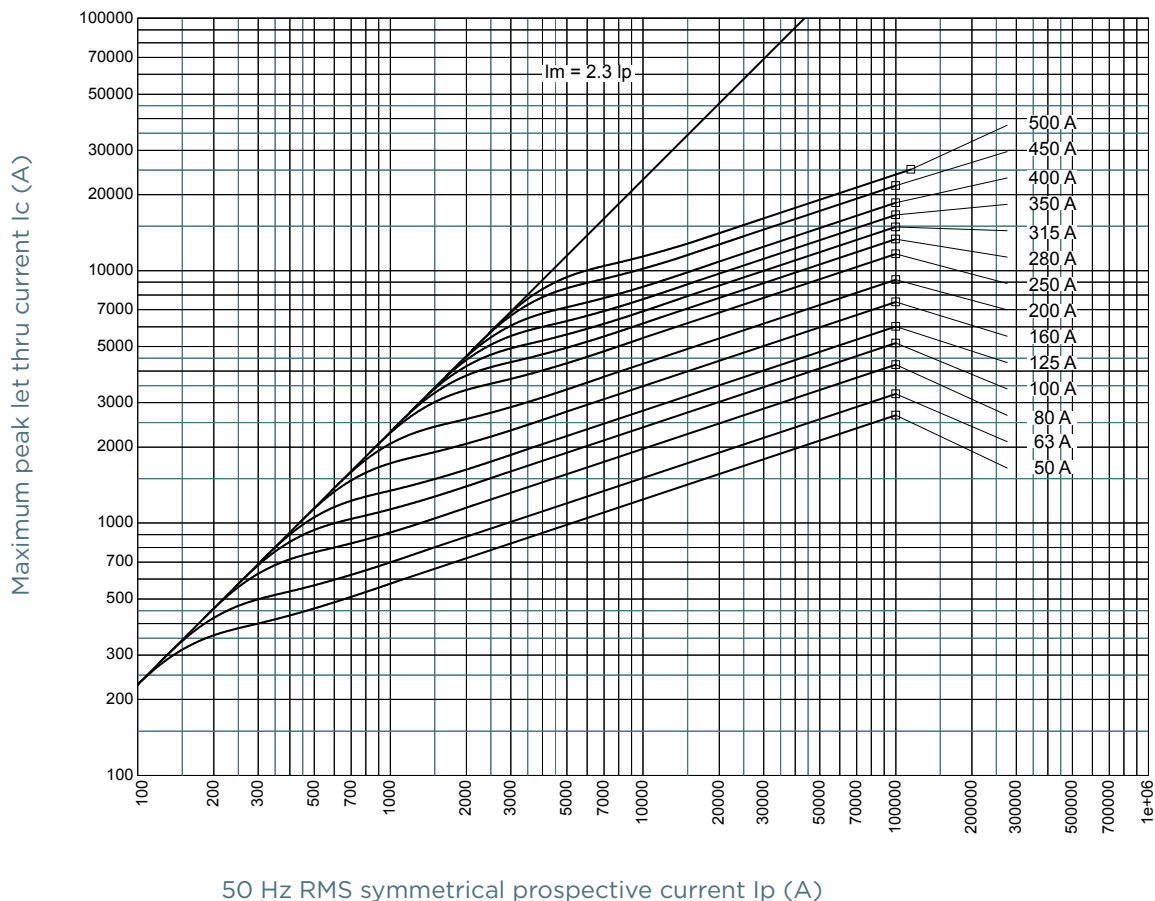
TIME CURRENT CHARACTERISTIC CURVES



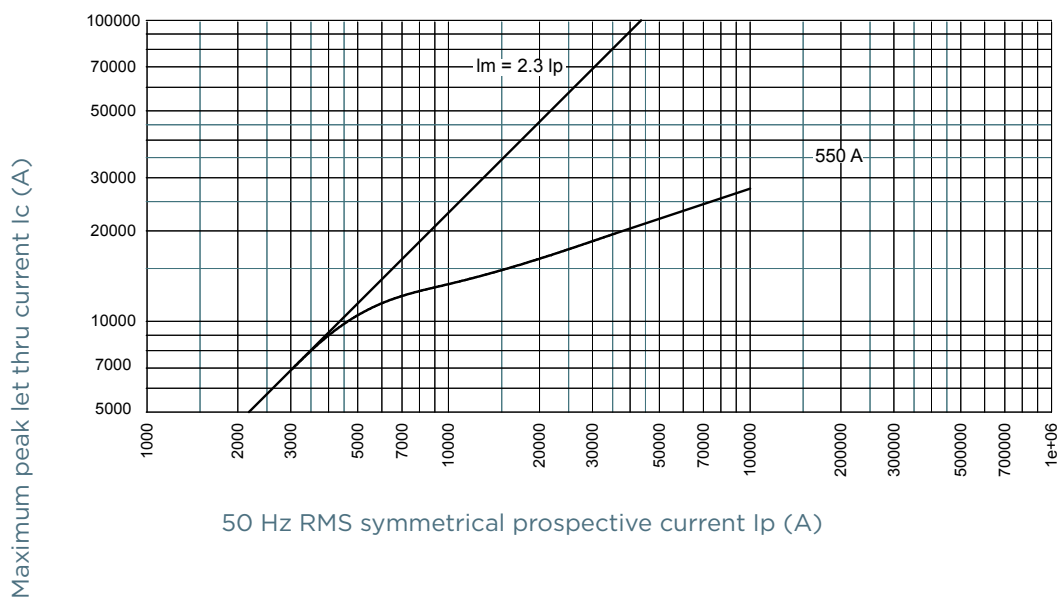
MERSEN reserves the right to change, update or correct, without notice, any information contained in this datasheet.

CUT-OFF CURRENT CHARACTERISTIC

Size 70 1250V 500A...250A, 1200V 280A...315A, 1100V 350A...450A, 1000V 500A

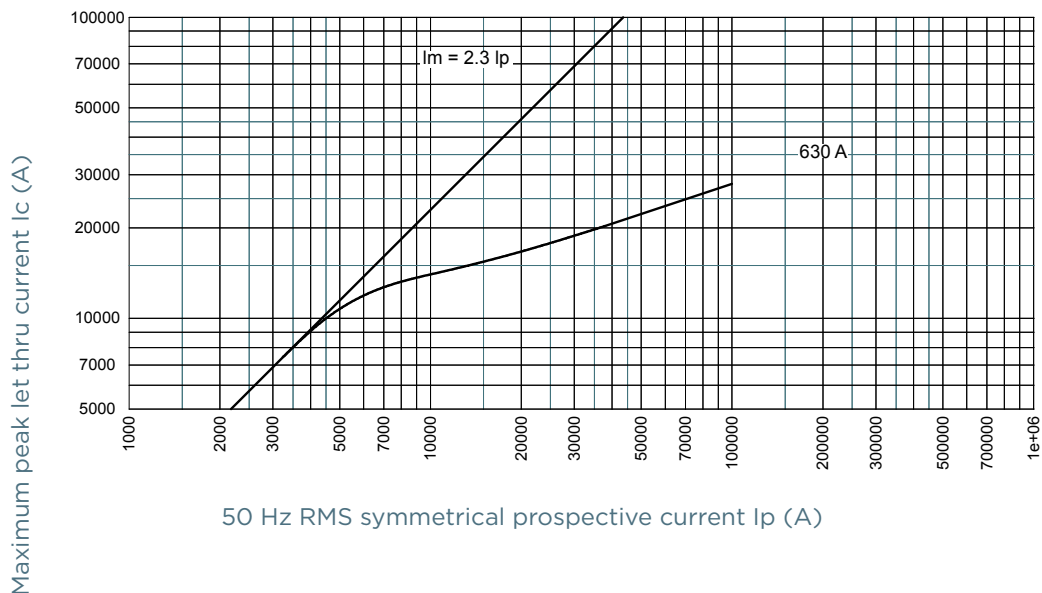


Size 70 800V



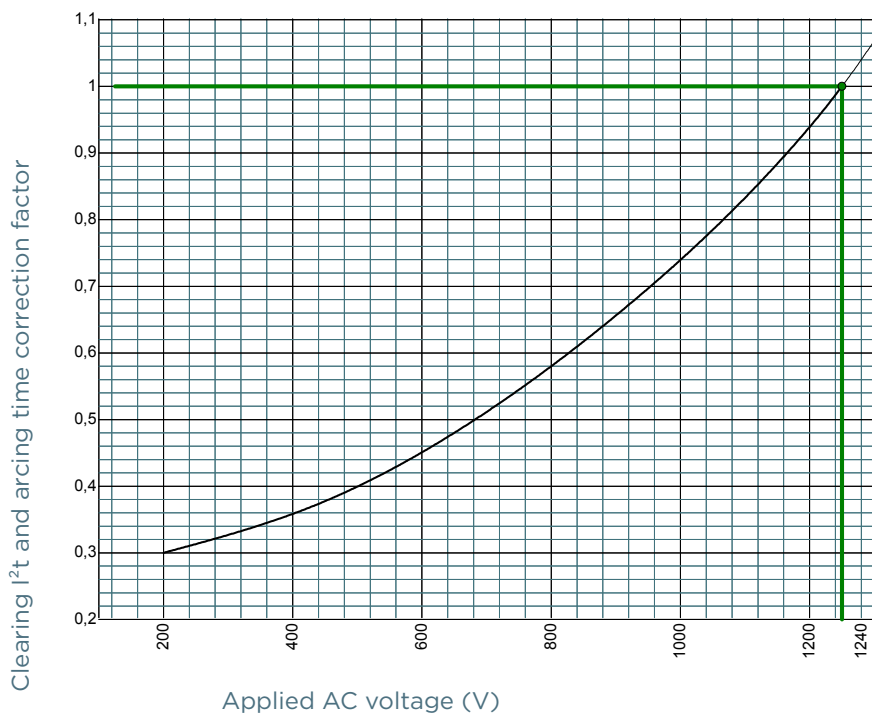
CUT-OFF CURRENT CHARACTERISTIC

Size 70 750V



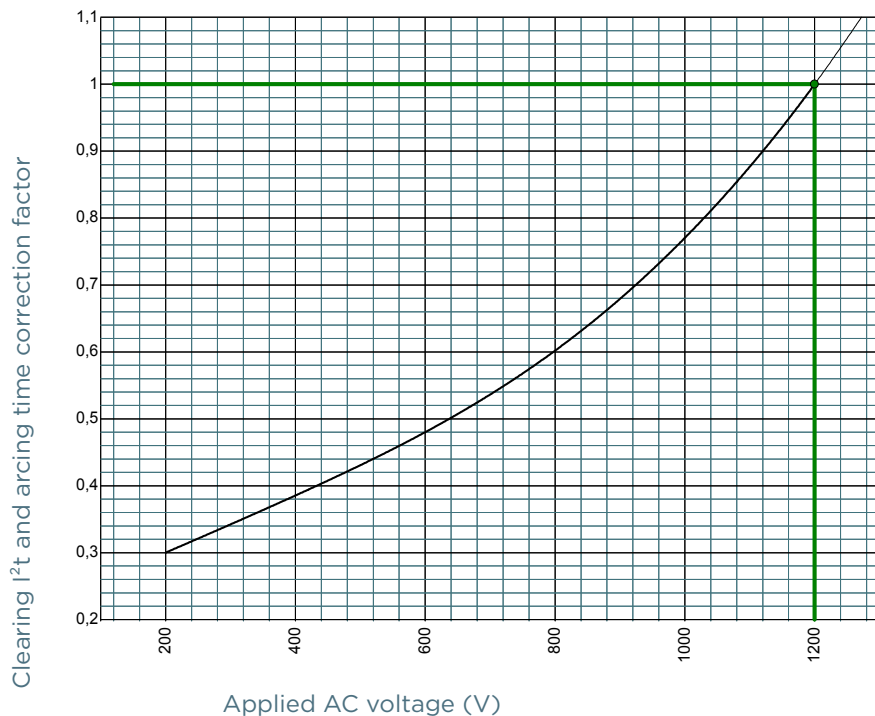
I²T MULTIPLIER COEFFICIENT

Size 70 1250V

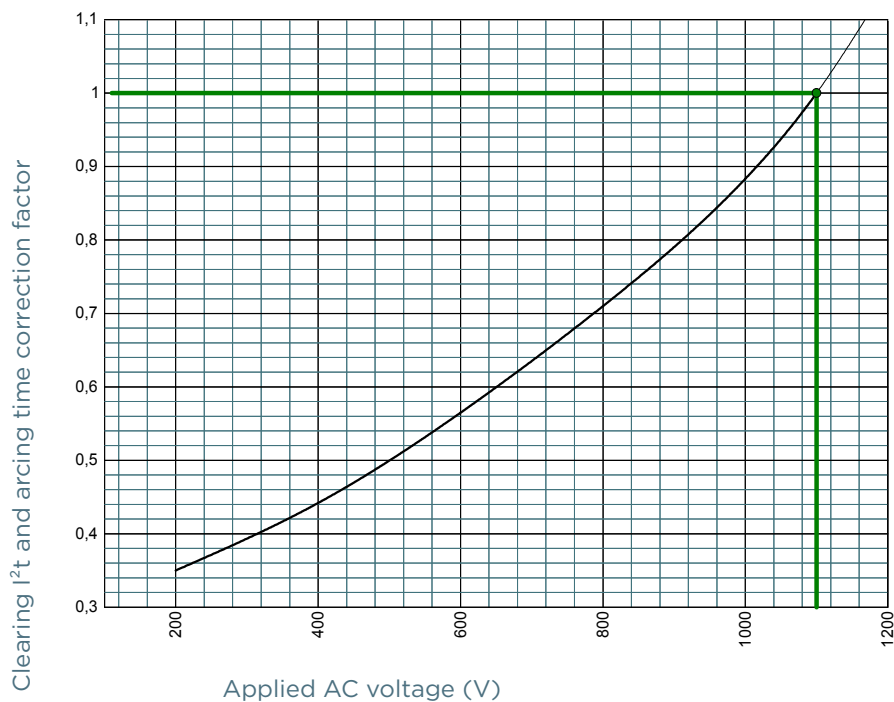


I²T MULTIPLIER COEFFICIENT

Size 70 1200V

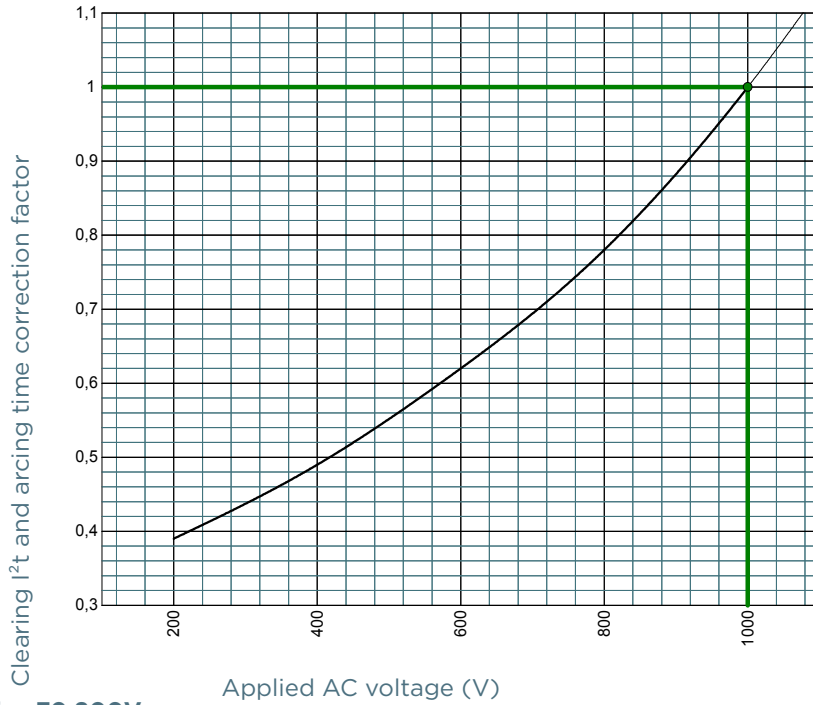


Size 70 1100V

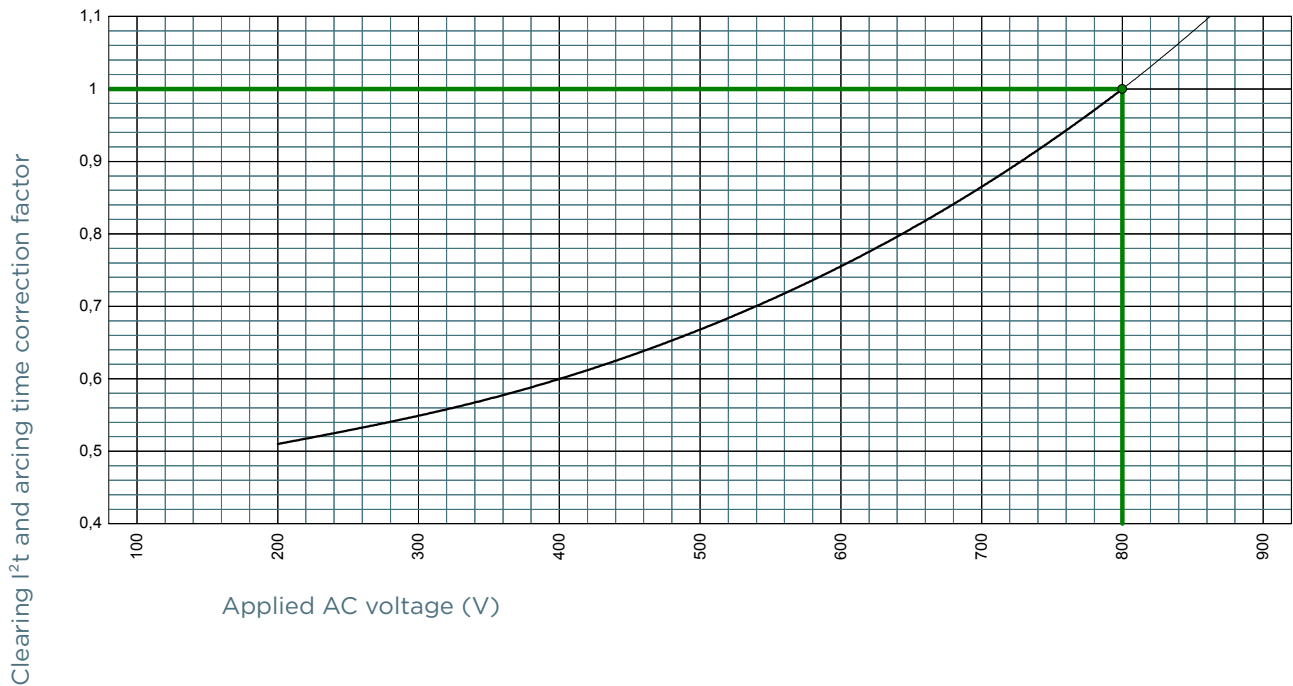


I²T MULTIPLIER COEFFICIENT

Size 70 1000V

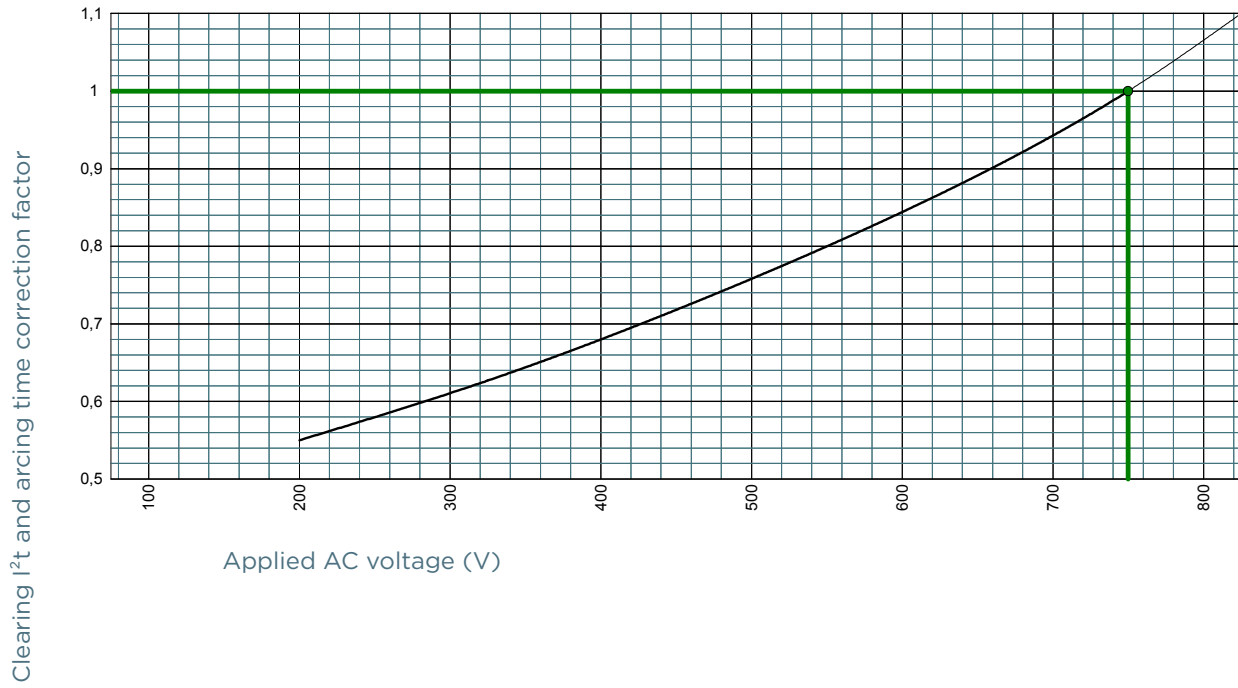


Size 70 800V



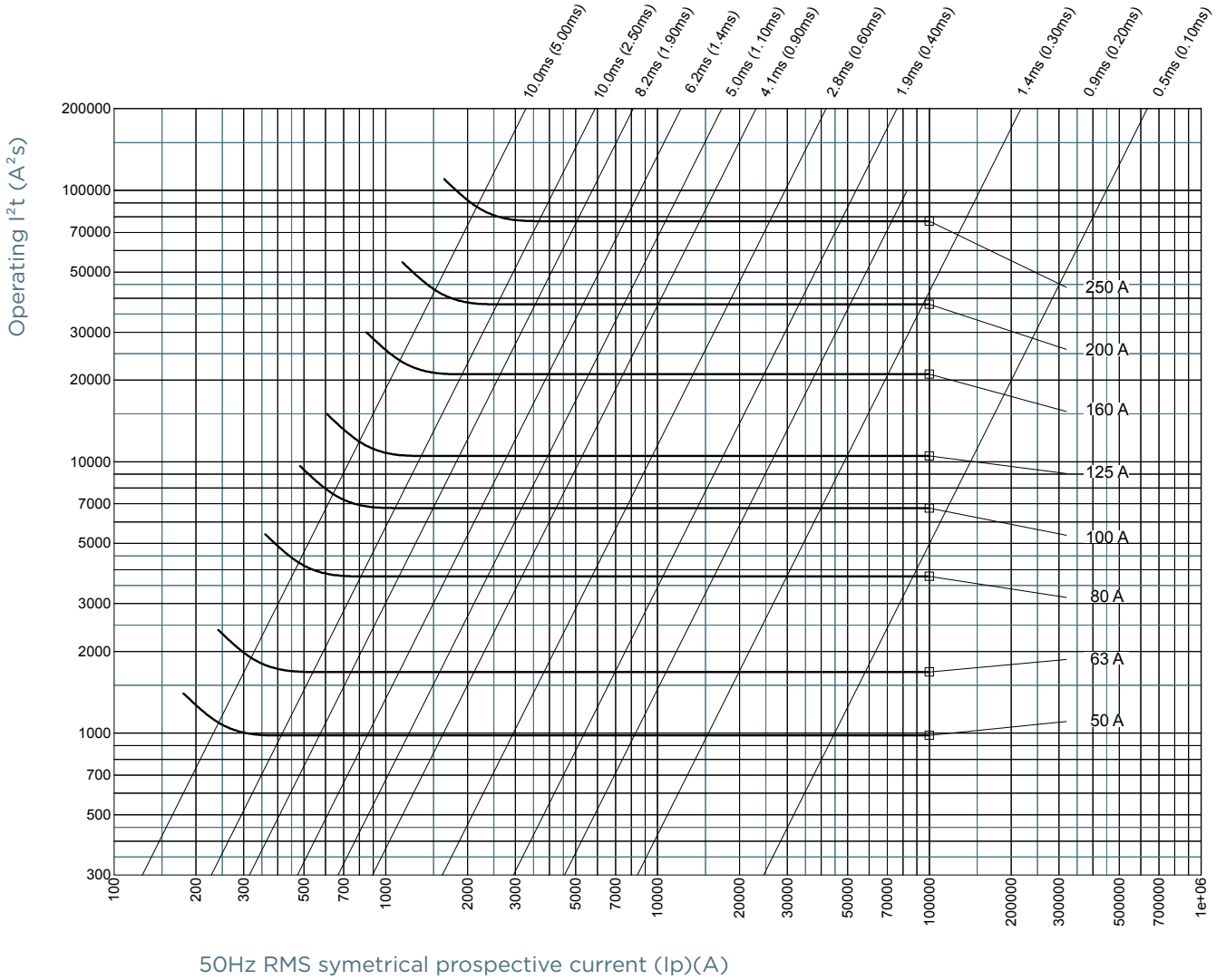
I²T MULTIPLIER COEFFICIENT

Size 70 750V



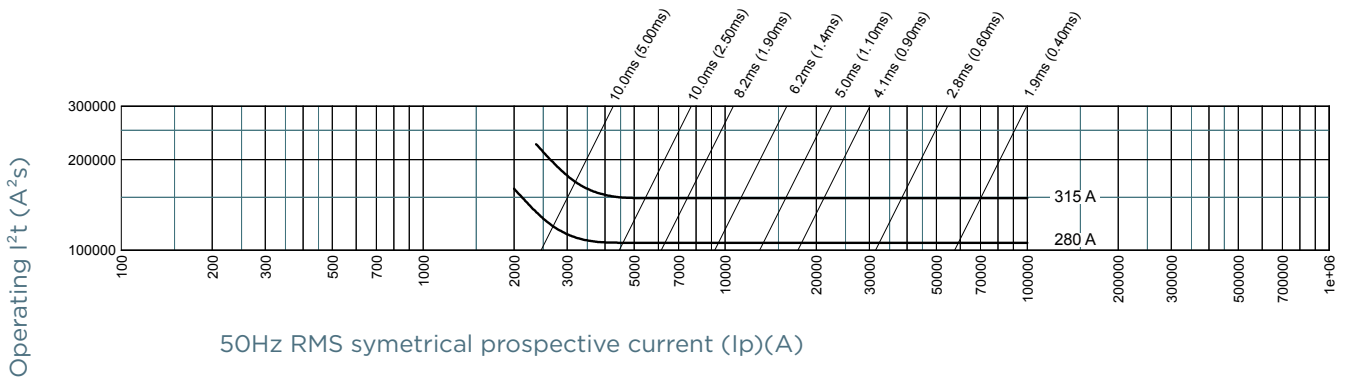
CHARACTERISTICS TOTAL I²T CURVE

Size 70 1250V



50Hz RMS symmetrical prospective current (Ip)(A)

Size 70 1200V

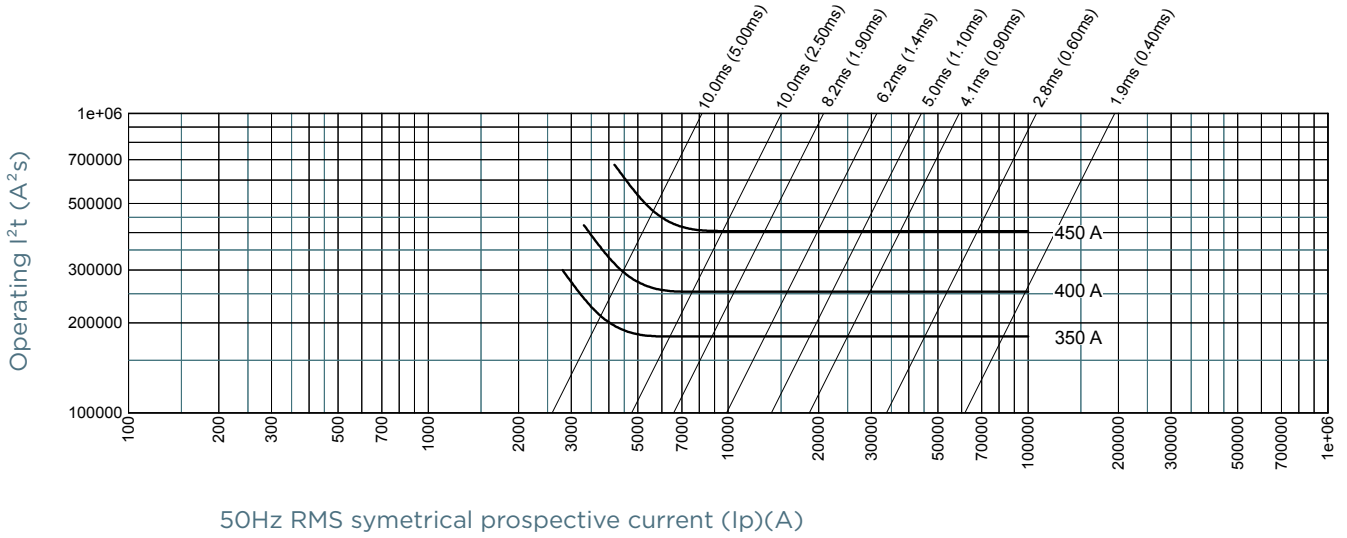


50Hz RMS symmetrical prospective current (Ip)(A)

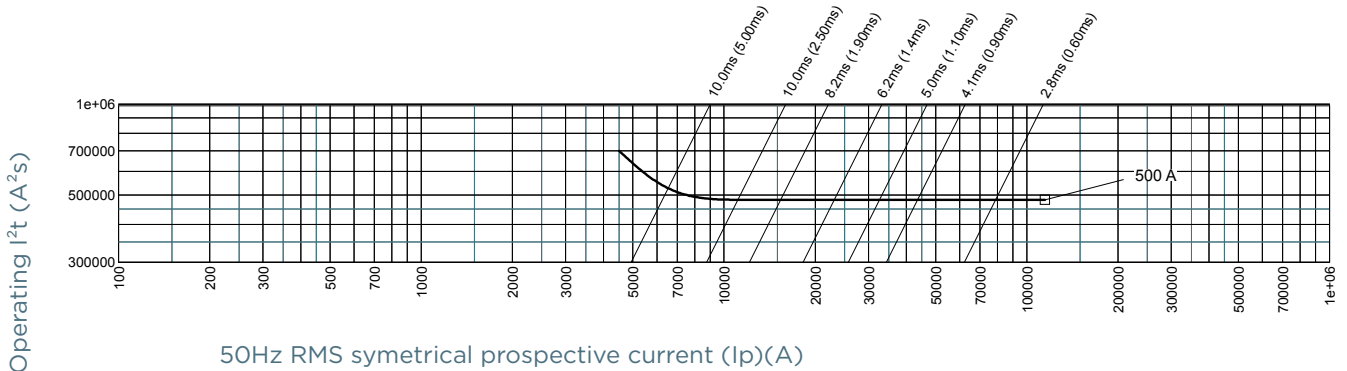
MERSEN reserves the right to change, update or correct, without notice, any information contained in this datasheet.

CHARACTERISTICS TOTAL I²T CURVE

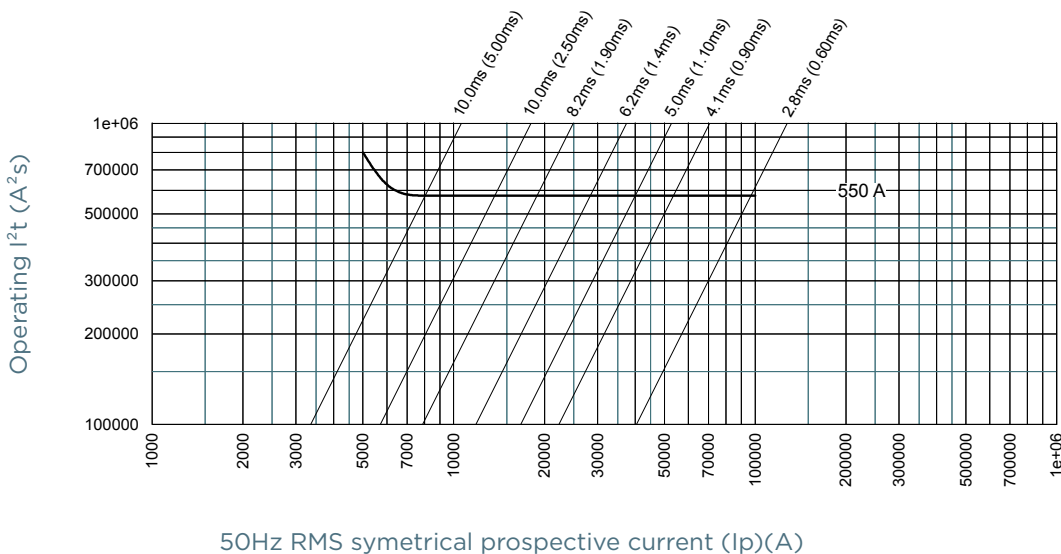
Size 70 1100V



Size 70 1000V



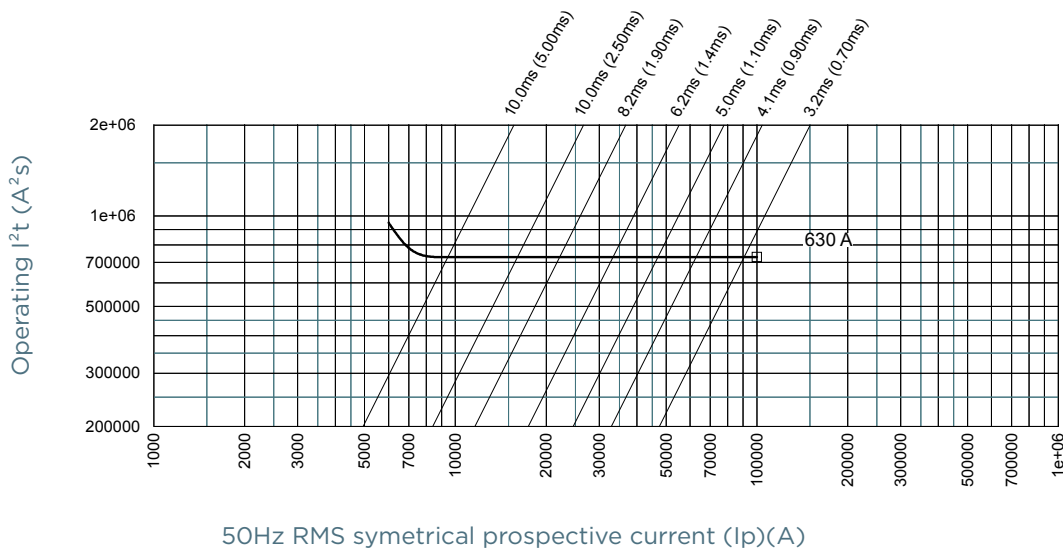
Size 70 800V



MERSEN reserves the right to change, update or correct, without notice, any information contained in this datasheet.

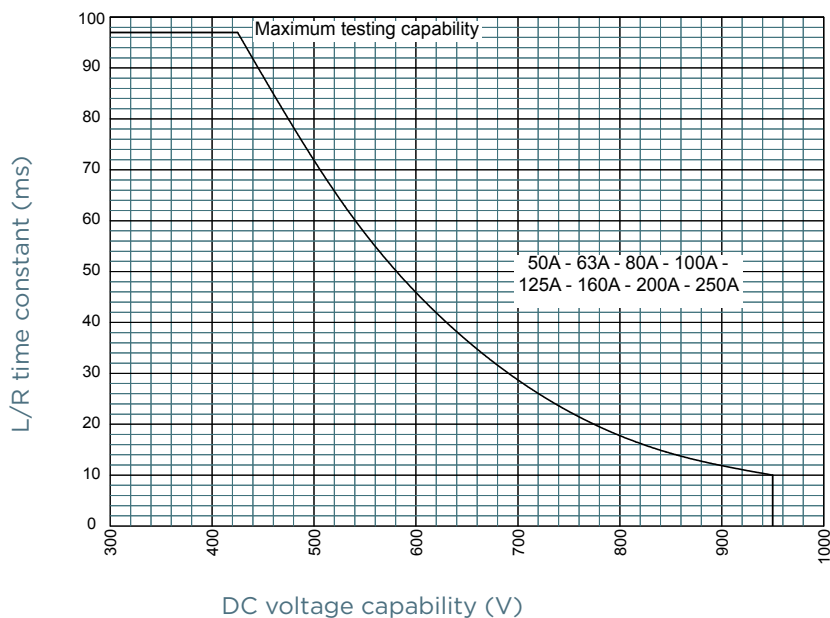
CHARACTERISTICS TOTAL I²T CURVE

Size 70 750V



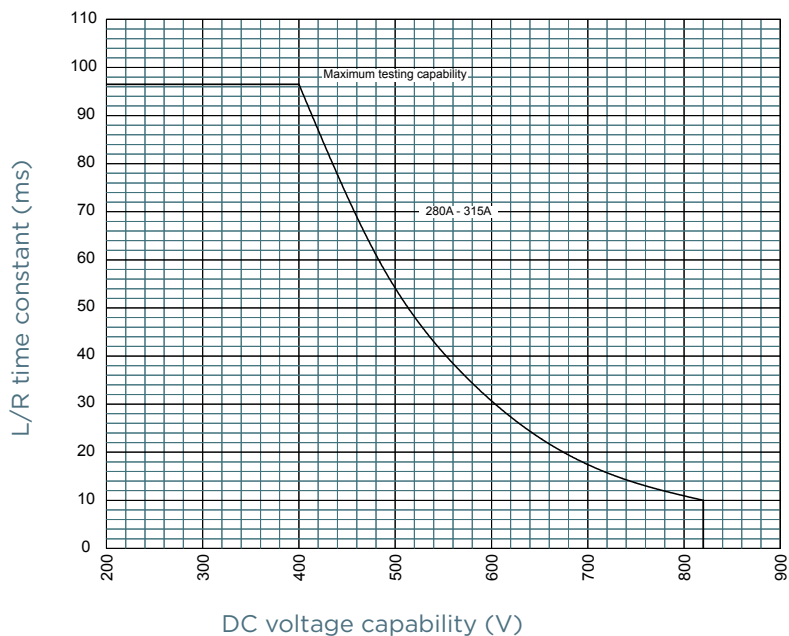
L/R TIME CONSTANT VS DC VOLTAGE CAPABILITY

Size 70 1250V

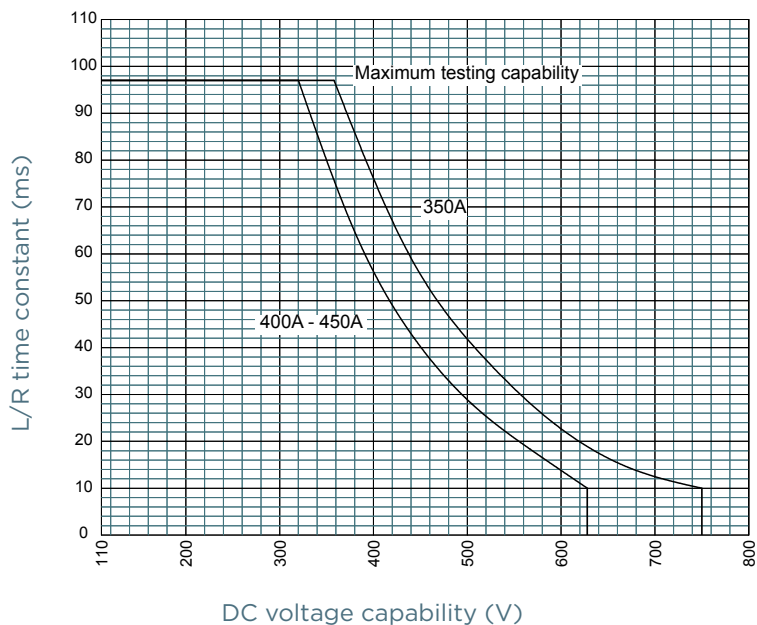


L/R TIME CONSTANT VS DC VOLTAGE CAPABILITY

Size 70 1200V

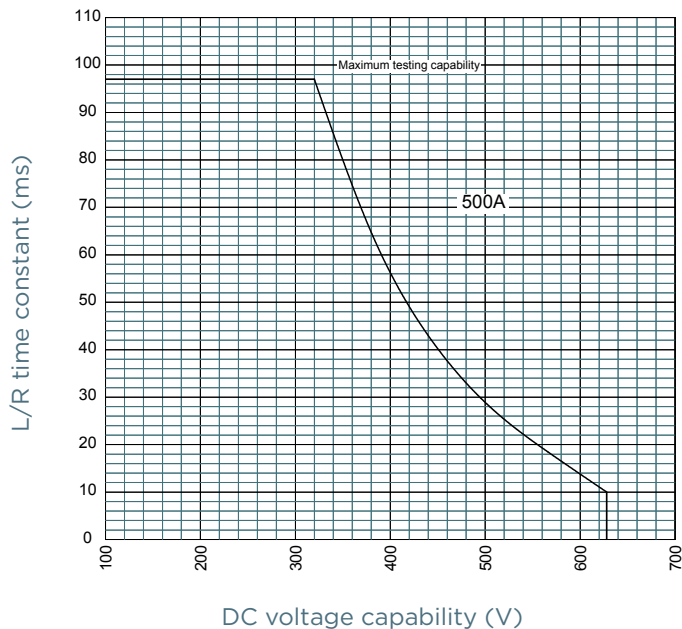


Size 70 1100V

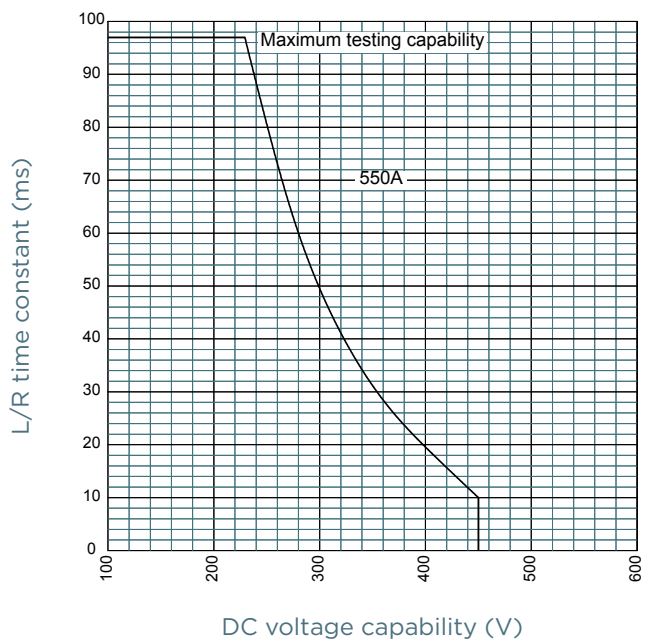


L/R TIME CONSTANT VS DC VOLTAGE CAPABILITY

Size 70 1000V

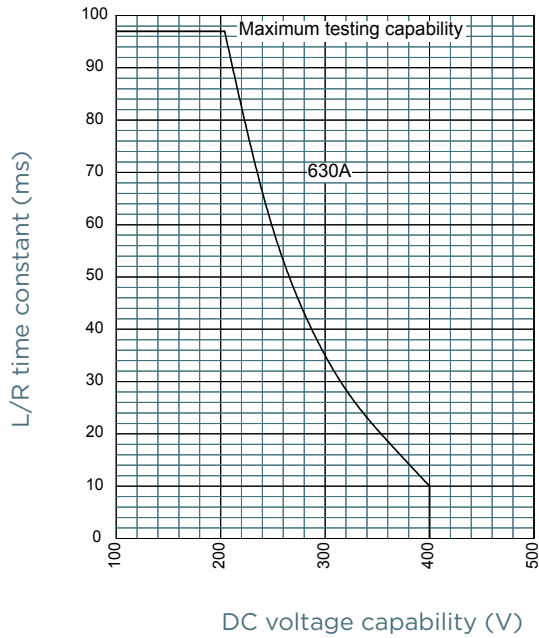


Size 70 800V



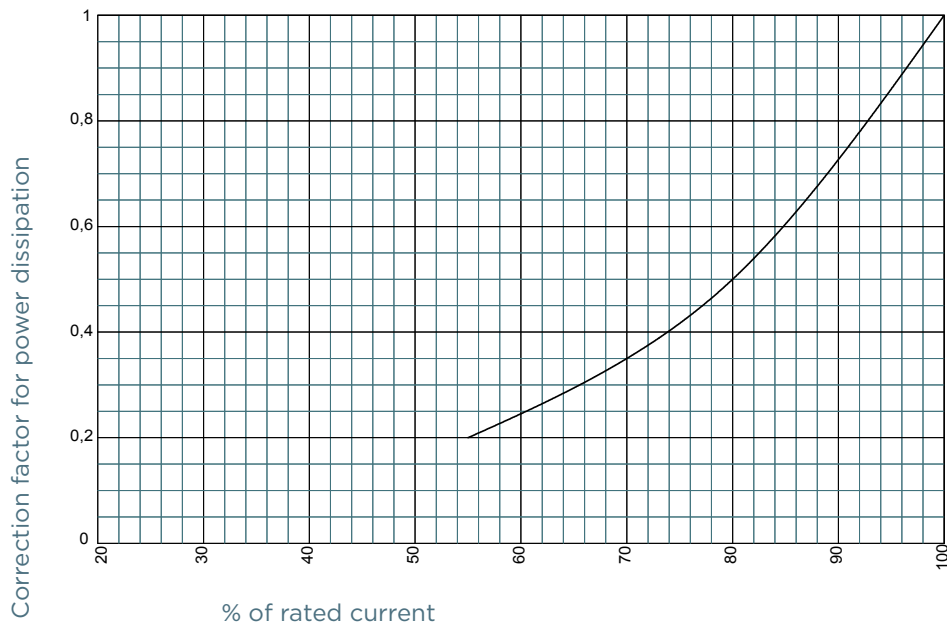
L/R TIME CONSTANT VS DC VOLTAGE CAPABILITY

Size 70 750V



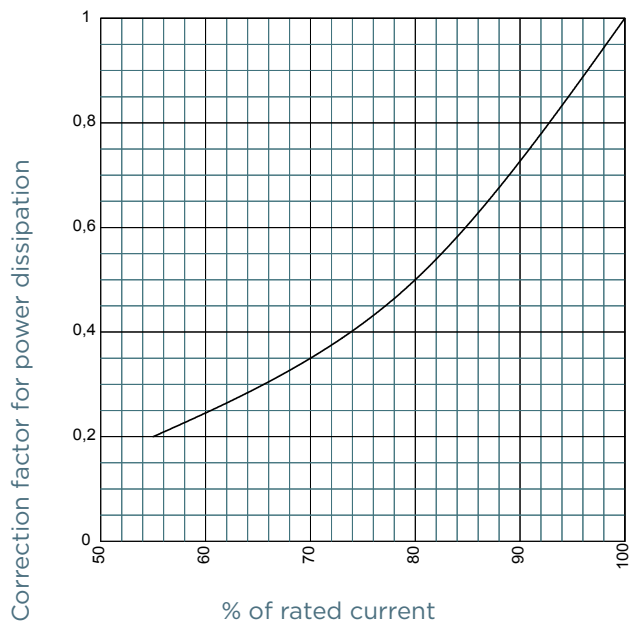
POWER DISSIPATION

Size 70 1250V

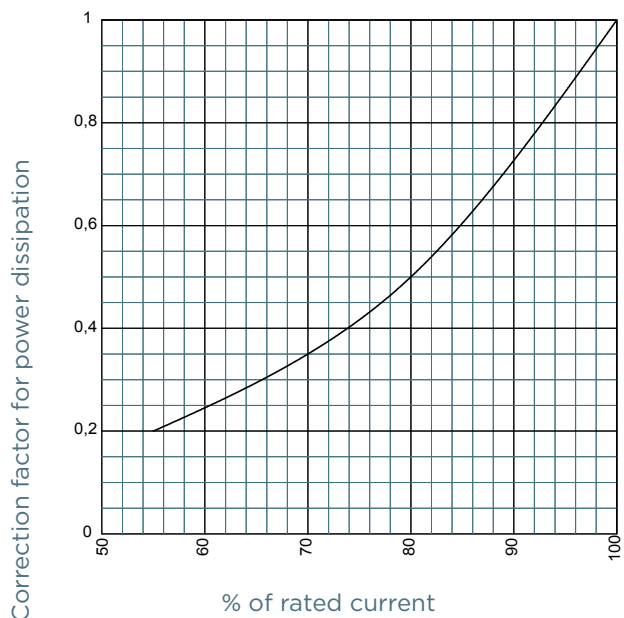


POWER DISSIPATION

Size 70 1200V

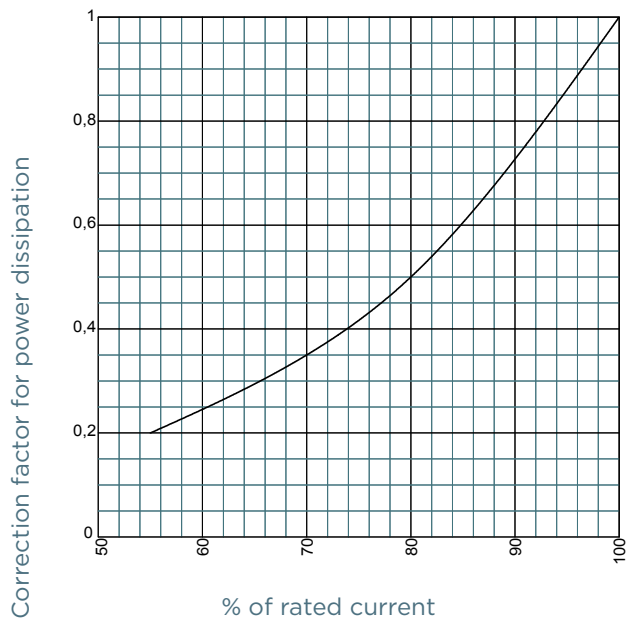


Size 70 1100V

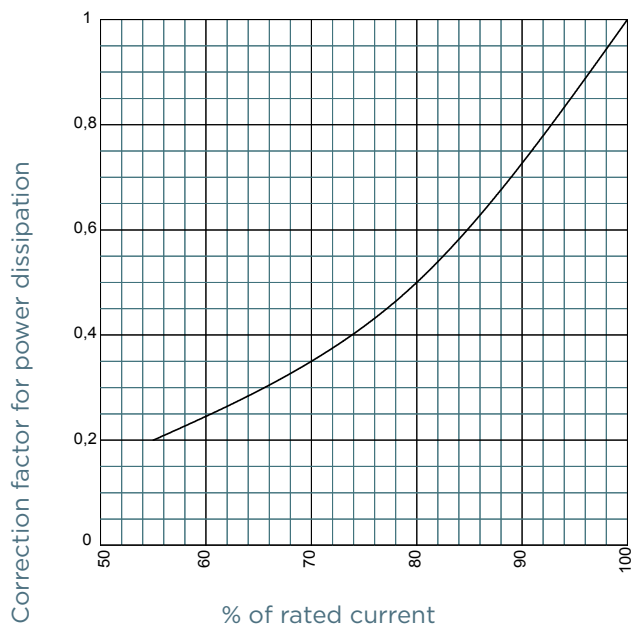


POWER DISSIPATION

Size 70 1000V

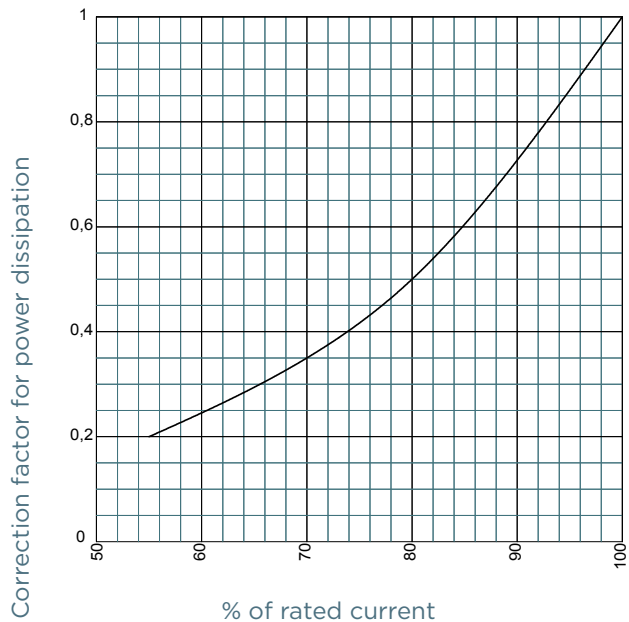


Size 70 800V



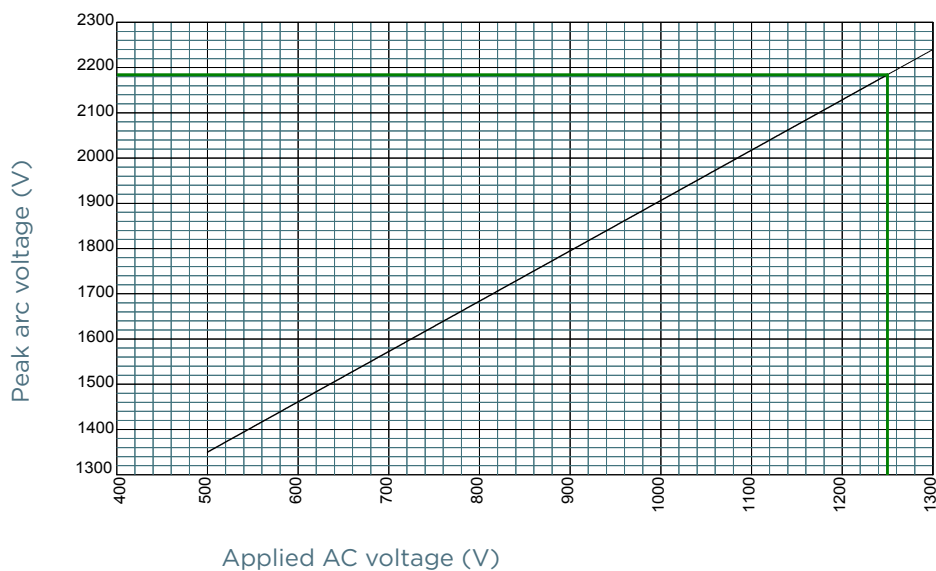
POWER DISSIPATION

Size 70 750V



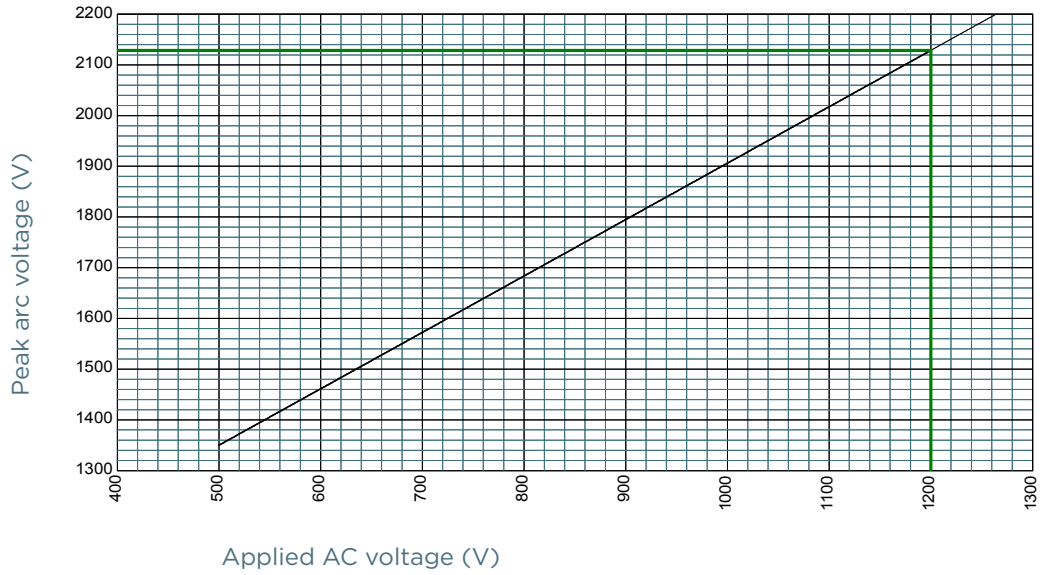
PEAK ARC VOLTAGE

Size 70 1250V

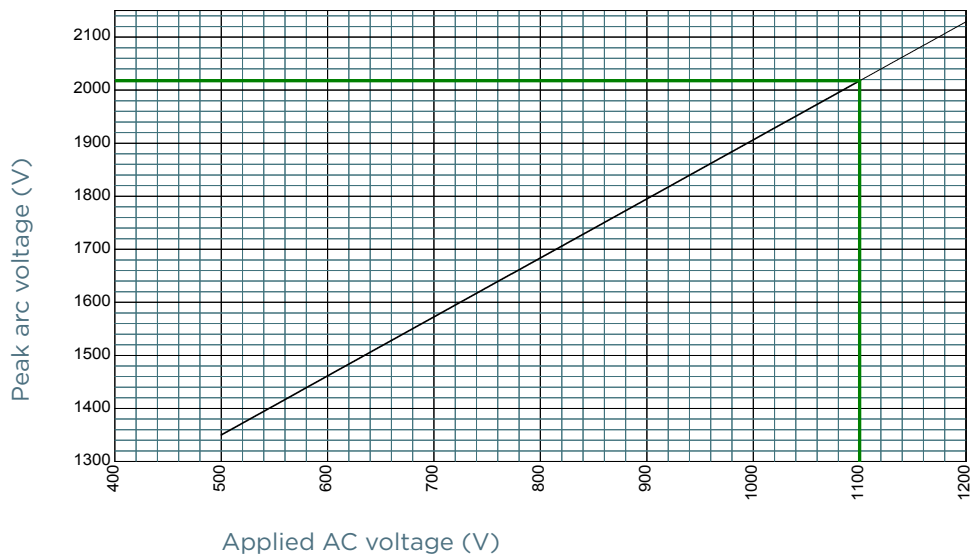


PEAK ARC VOLTAGE

Size 70 1200V

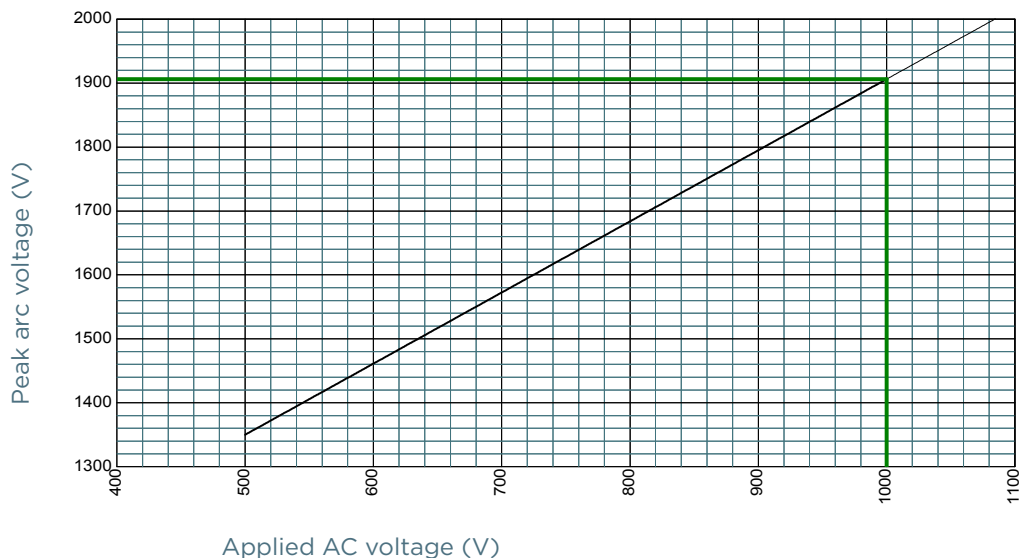


Size 70 1100V

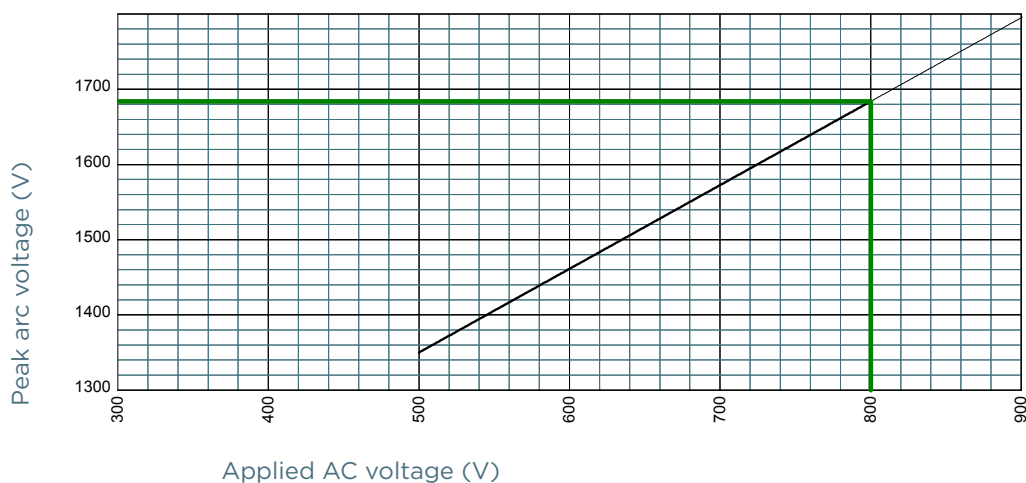


PEAK ARC VOLTAGE

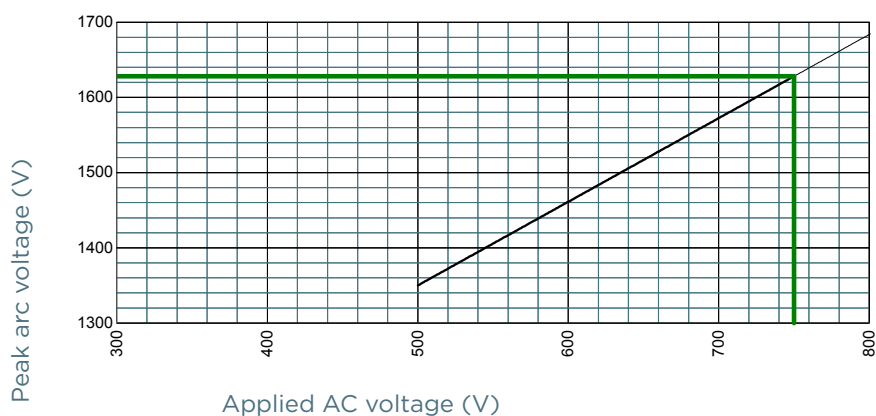
Size 70 1000V



Size 70 800V



Size 70 750V

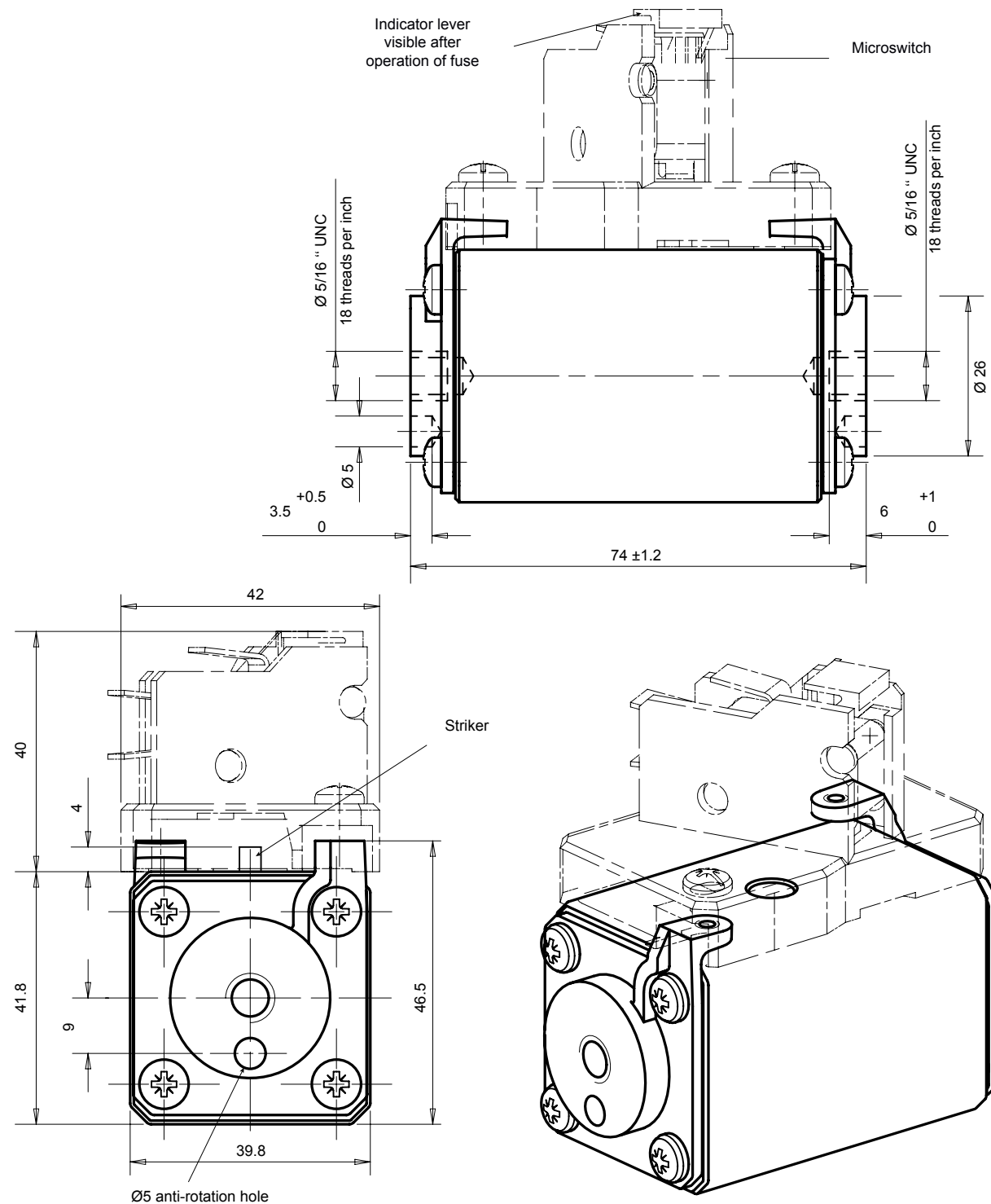


Protistor® size 70 aR

1100 to 1250VAC (IEC) / 1300VAC (UL)

DIMENSIONS

Size 70 aR TTI (109497)



Dimensions in mm

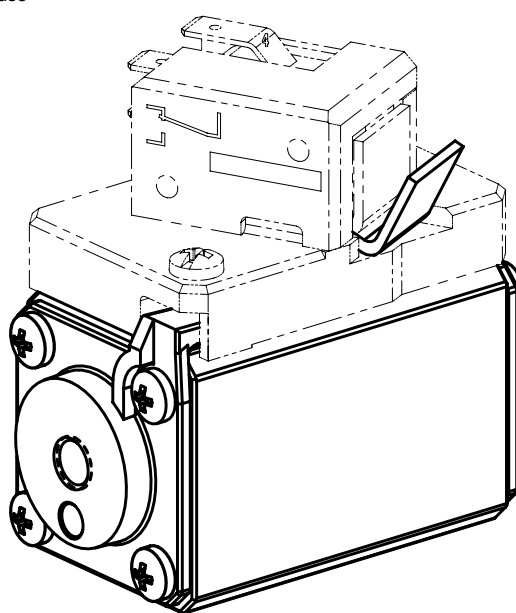
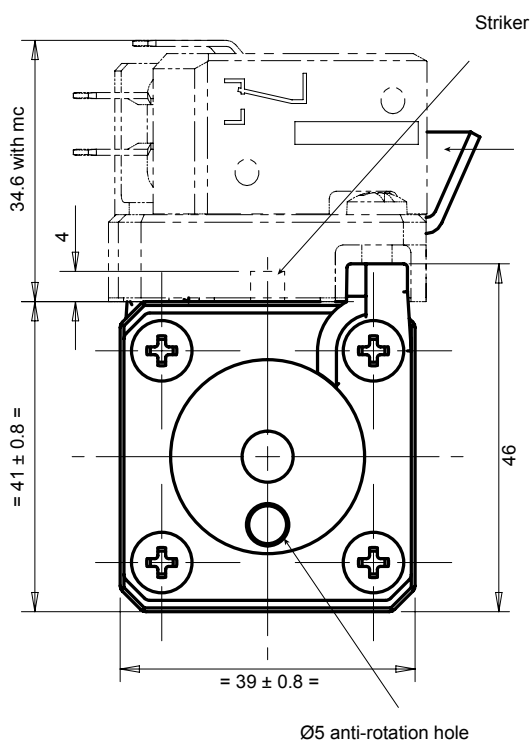
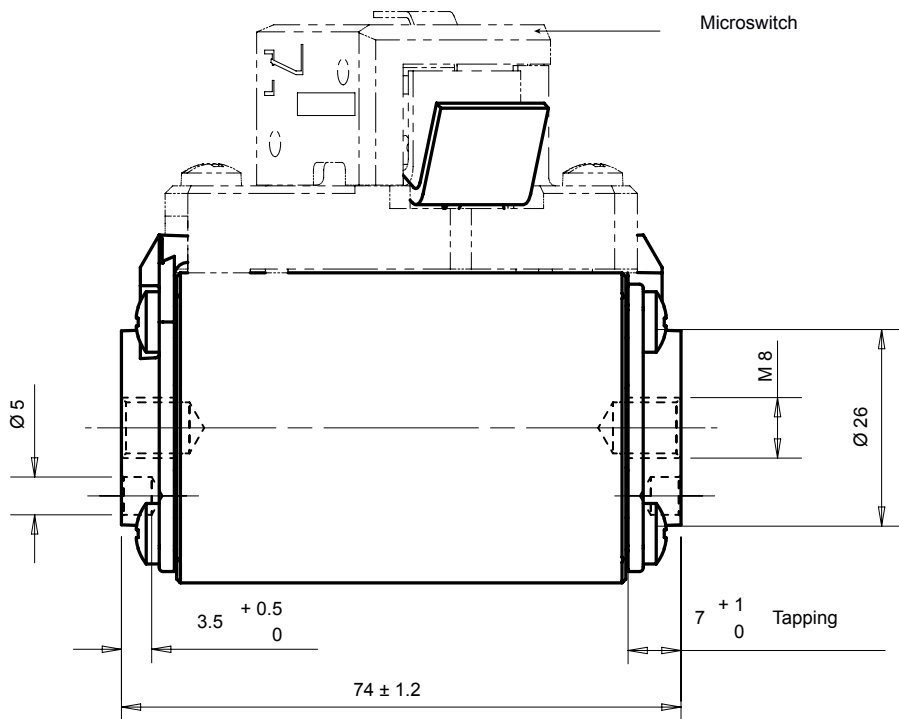
MERSEN reserves the right to change, update or correct, without notice, any information contained in this datasheet.

Protistor® size 70 aR

1100 to 1250VAC (IEC) / 1300VAC (UL)

DIMENSIONS

Size 70 aR TTF (105698)



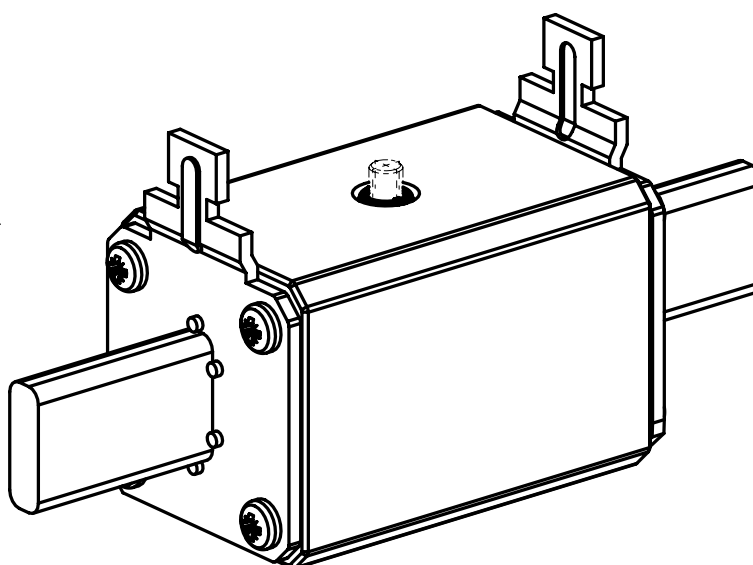
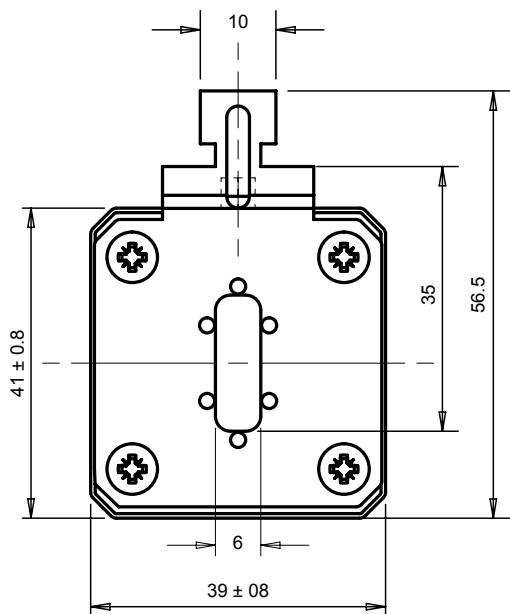
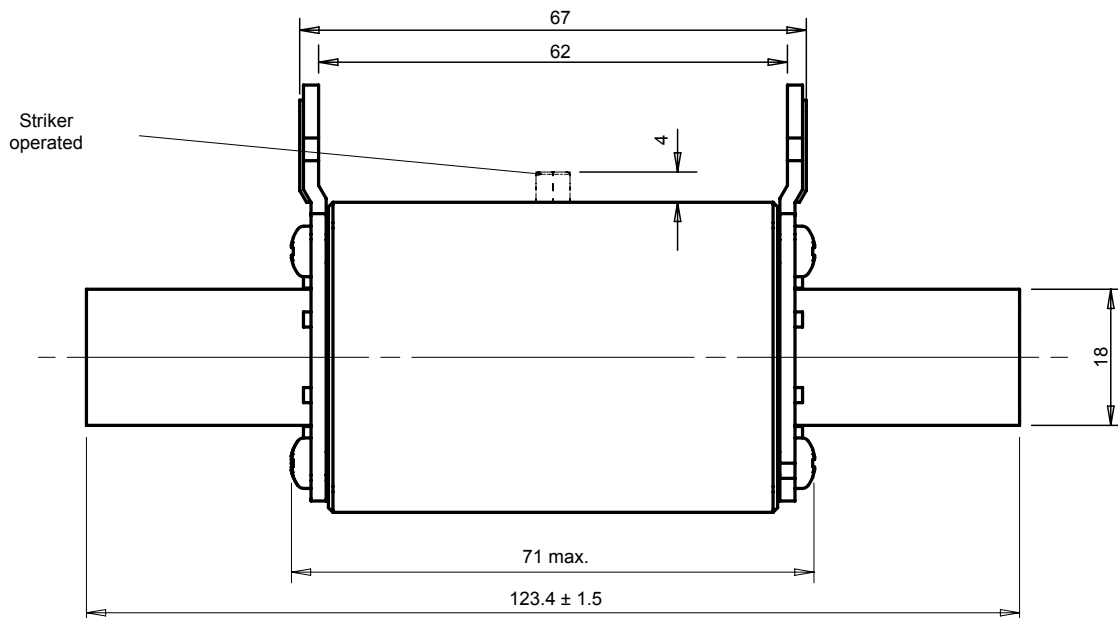
Dimensions in mm

Protistor® size 70 aR

1100 to 1250VAC (IEC) / 1300VAC (UL)

DIMENSIONS

Size 70 aR NH (107129)



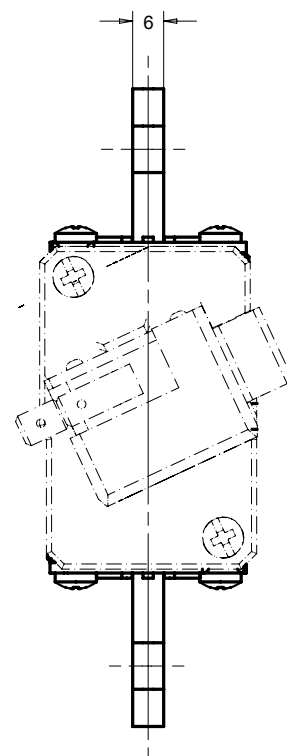
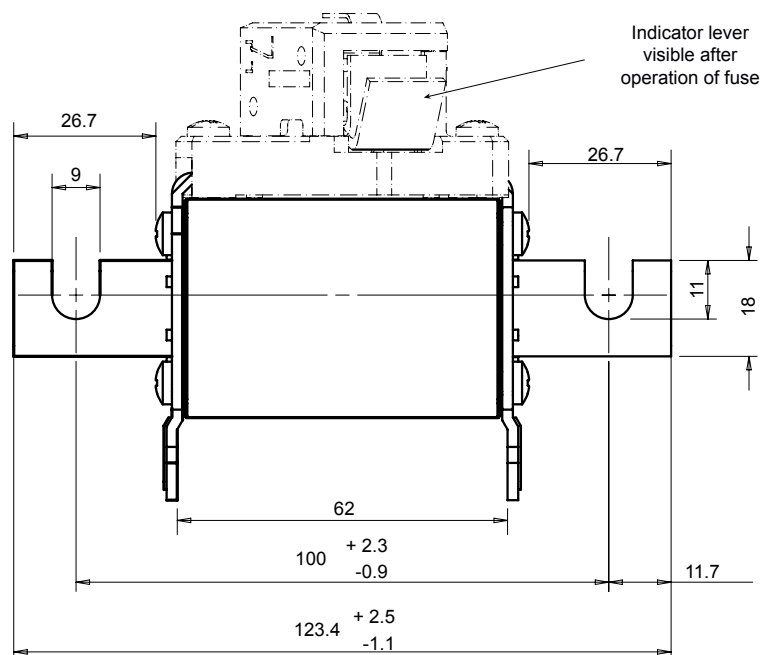
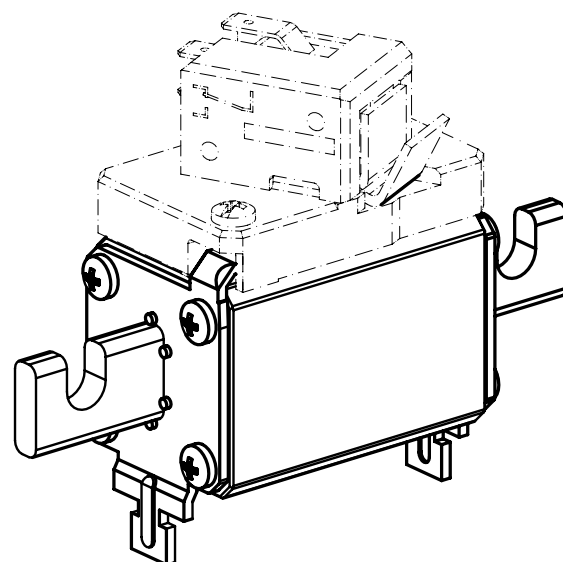
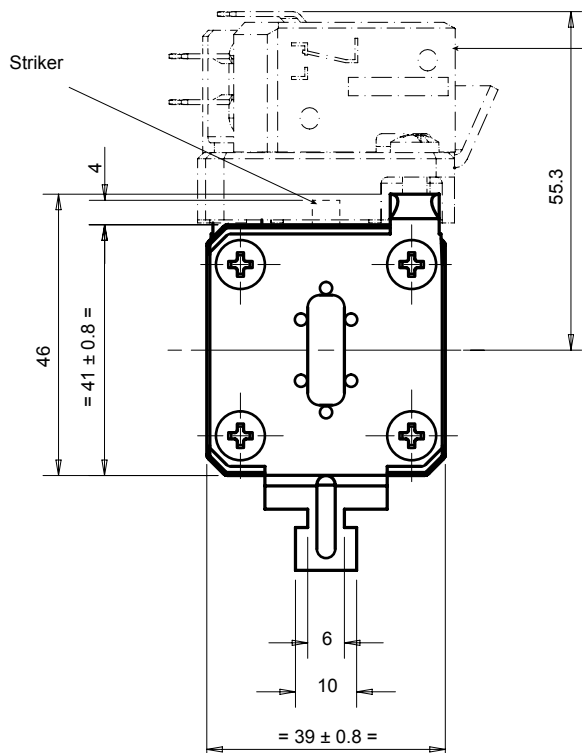
Dimensions in mm

Protistor® size 70 aR

1100 to 1250VAC (IEC) / 1300VAC (UL)

DIMENSIONS

Size 70 aR EF (105879)



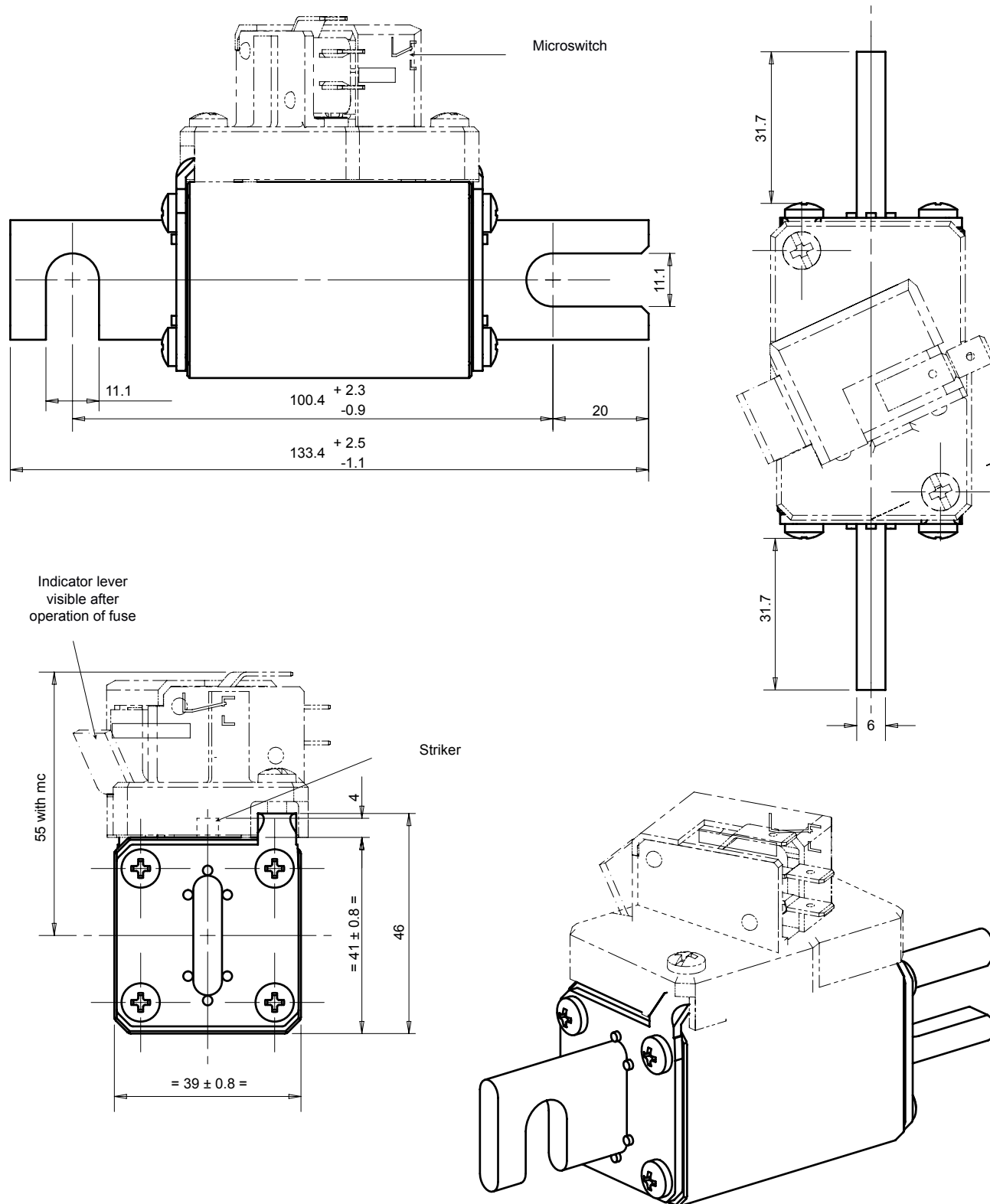
Dimensions in mm

Protistor® size 70 aR

1100 to 1250VAC (IEC) / 1300VAC (UL)

DIMENSIONS

Size 70 aR DIN 110 (105711)



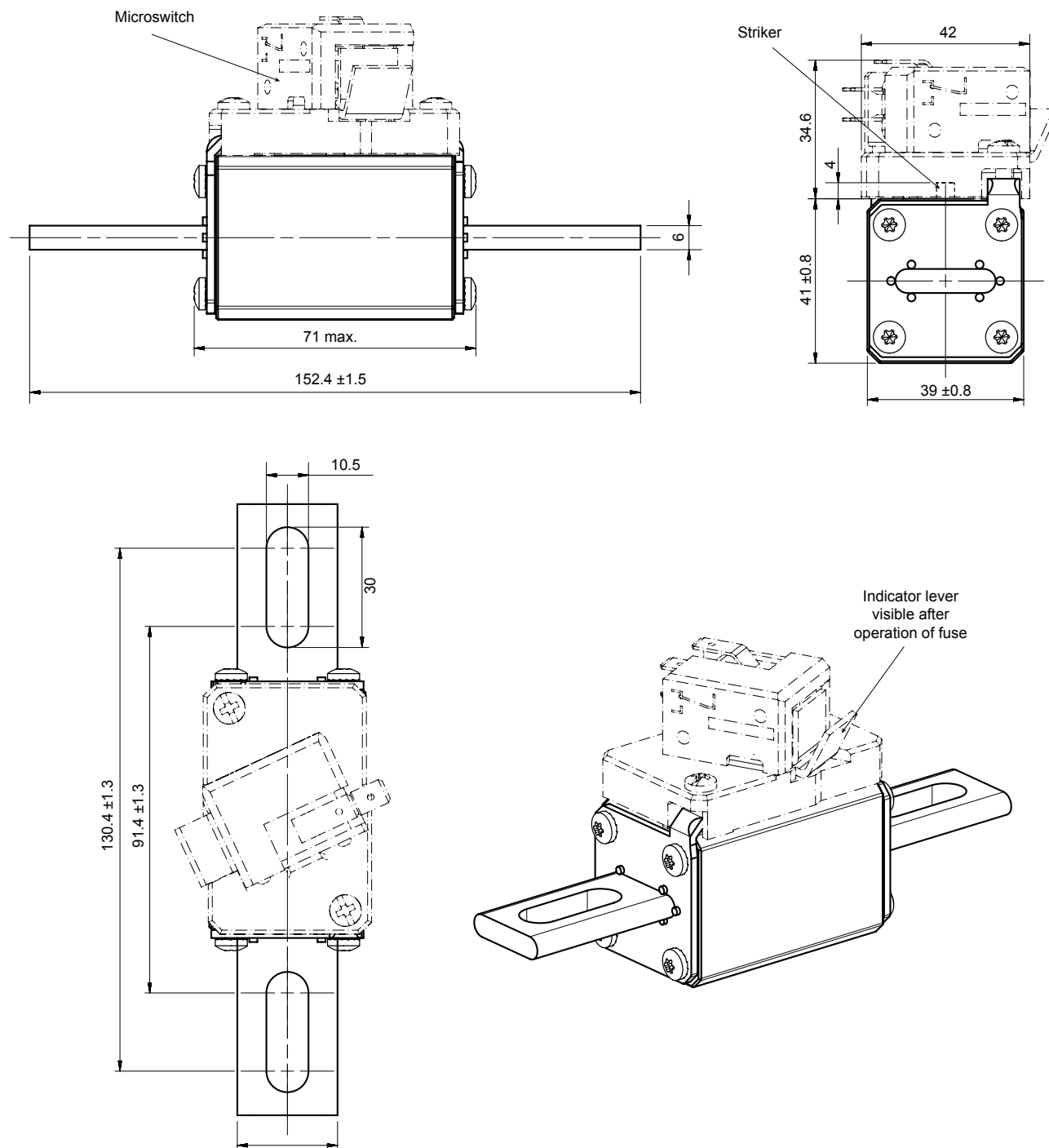
Dimensions in mm

Protistor® size 70 aR

1100 to 1250VAC (IEC) / 1300VAC (UL)

DIMENSIONS

Size 70 aR LI (105921)



Dimensions in mm

Protistor® size 71 aR

750 to 1250VAC (IEC) / 1300VAC (UL)

SEMICONDUCTOR PROTECTION FUSES

SQUARE BODY HIGH-SPEED FUSE-LINKS AC PROTECTION



These 1250/1300V Protistor® fuse-links provide maximum flexibility in equipment design and ultimate protection for today's power conversion equipment. These aR ultra-fast acting square body fuse-links are available in different body sizes, each size having multiple worldwide acceptable mounting styles.

The Protistor® have been engineered to provide state-of-the-art protection for semiconductors: diodes, thyristors and IGBT devices. Fuses are assembled with die-cut elements embedded in solidified sand, which helps control arcing characteristics for a lower I^2t and high interrupting rating level. All contact surfaces are silver plated and all hardware is non-magnetic.

All fuse-links can be equipped with a low voltage trip-indicator which can operate a field mountable microswitch.

TECHNICAL DATA OVERVIEW

Voltage Range AC	750 ... 1250 VAC
Ampere Range (A)	160 ... 900 A
Speed/Characteristic	aR
I.R. AC	100 ... 150 kA
Product Size	71

FEATURES & BENEFITS

- Multiple body sizes and terminals or blades combination
- aR Class according to IEC 60269-4 and VDE 636-23
- Very low I^2t for improved semiconductor protection
- Ultra fast acting
- Current limiting
- Superior cycling capability

APPLICATIONS

- Protection of inverters, motor drives, UPS systems and similar 690V or less equipments.

STANDARDS

- IEC 60269-4 Compliance
- UL/CSA Recognized E76491
- CCC GB 13539.4



Protistor® size 71 aR

750 to 1250VAC (IEC) / 1300VAC (UL)

PRODUCT RANGE

Size 71 type TTI 5/16"-18 unified coarse threaded terminals

Catalog number	Reference number	Rated voltage AC (IEC)	Rated voltage AC (UL)	Rated current I _n	Pre-arcing I ² t	Clearing I ² t at Rated Voltage	Rated breaking capacity AC	Power dissipation at In	Weight	Package
A130UD71TTI160	B301025	1250 V	1300 V	160 A	2.6 kA ² s	21 kA ² s	100 kA	46 W	500 g	3
A130UD71TTI200	C301026	1250 V	1300 V	200 A	4.7 kA ² s	38 kA ² s	100 kA	54 W	500 g	3
A130UD71TTI250	D301027	1250 V	1300 V	250 A	8.9 kA ² s	72 kA ² s	100 kA	61 W	500 g	3
A130UD71TTI280	E301028	1250 V	1300 V	280 A	12 kA ² s	96 kA ² s	100 kA	68 W	500 g	3
A130UD71TTI315	F301029	1250 V	1300 V	315 A	16 kA ² s	129 kA ² s	100 kA	73 W	500 g	3
A130UD71TTI350	G301030	1250 V	1300 V	350 A	22 kA ² s	178 kA ² s	100 kA	76 W	500 g	3
A120UD71TTI550	L301034	1100 V	1200 V	550 A	84 kA ² s	548 kA ² s	100 kA	98 W	500 g	3
A120UD71TTI630	M301035	1000 V	1100 V	630 A	126 kA ² s	820 kA ² s	100 kA	105 W	500 g	3
A130UD71TTI400	H301031	1250 V	1300 V	400 A	38 kA ² s	308 kA ² s	100 kA	76 W	500 g	3
A130UD71TTI450	J301032	1250 V	1300 V	450 A	47 kA ² s	378 kA ² s	100 kA	87 W	500 g	3
A130UD71TTI500	K301033	1100 V	1200 V	500 A	68 kA ² s	441 kA ² s	100 kA	90 W	500 g	3



PC71UD13C450TF

Size 71 type TTF M8 threaded terminals

Catalog number	Reference number	Rated voltage AC (IEC)	Rated voltage AC (UL)	Rated current I _n	Pre-arcing I ² t	Clearing I ² t at Rated Voltage	Rated breaking capacity AC	Power dissipation at In	Weight	Package
PC71UD13C160TF	B300749	1250 V	1300 V	160 A	2.6 kA ² s	21 kA ² s	100 kA	46 W	515 g	3
PC71UD13C200TF	Z300517	1250 V	1300 V	200 A	4.7 kA ² s	38 kA ² s	100 kA	54 W	515 g	3
PC71UD13C250TF	A300518	1250 V	1300 V	250 A	8.9 kA ² s	72 kA ² s	100 kA	61 W	515 g	3
PC71UD13C280TF	P300715	1250 V	1300 V	280 A	12 kA ² s	96 kA ² s	100 kA	68 W	515 g	3
PC71UD13C315TF	B300519	1250 V	1300 V	315 A	16 kA ² s	129 kA ² s	100 kA	73 W	515 g	3
PC71UD13C350TF	C300520	1250 V	1300 V	350 A	22 kA ² s	178 kA ² s	100 kA	76 W	515 g	3
PC71UD13C400TF	D300521	1250 V	1300 V	400 A	38 kA ² s	308 kA ² s	100 kA	76 W	515 g	3
PC71UD13C450TF	E300522	1250 V	1300 V	450 A	47 kA ² s	378 kA ² s	100 kA	87 W	515 g	3
PC71UD11C500TF	F300523	1100 V	1200 V	500 A	68 kA ² s	441 kA ² s	100 kA	90 W	515 g	3
PC71UD11C550TF	G300524	1100 V	1200 V	550 A	84 kA ² s	548 kA ² s	100 kA	98 W	515 g	3
PC71UD11C630TF	H300525	1000 V	1100 V	630 A	126 kA ² s	725 kA ² s	150 kA	105 W	515 g	3
PC71UD10C700TF	M301288	1000 V	1100 V	700 A	180 kA ² s	1040 kA ² s	120 kA	105 W	515 g	3
PC71UD90V800TF	Z300862	900 V	950 V	800 A	290 kA ² s	1540 kA ² s	100 kA	116 W	515 g	3
PC71UD80V900TF	N301289	800 V	850 V	900 A	446 kA ² s	2010 kA ² s	100 kA	100 W	515 g	3
PC71UD75V10CTF	R301292	750 V	800 V	1000 A	556 kA ² s	2310 kA ² s	100 kA	129 W	515 g	3

Size 71 type long slotted blades

Catalog number	Reference number	Rated voltage AC (IEC)	Rated voltage AC (UL)	Rated current I _n	Pre-arcing I ² t	Clearing I ² t at Rated Voltage	Rated breaking capacity AC	Power dissipation at In	Weight	Package
A130UD71LLI160	E300752	1250 V	1300 V	160 A	2.6 kA ² s	21 kA ² s	100 kA	46 W	540 g	3
A130UD71LLI200	F300661	1250 V	1300 V	200 A	4.7 kA ² s	38 kA ² s	100 kA	54 W	540 g	3
A130UD71LLI250	G300662	1250 V	1300 V	250 A	8.9 kA ² s	72 kA ² s	100 kA	61 W	540 g	3
A130UD71LLI280	R300717	1250 V	1300 V	280 A	12 kA ² s	96 kA ² s	100 kA	70 W	540 g	3
A130UD71LLI315	H300663	1250 V	1300 V	315 A	16 kA ² s	129 kA ² s	100 kA	76 W	540 g	3
A130UD71LLI350	J300664	1250 V	1300 V	350 A	22 kA ² s	178 kA ² s	100 kA	80 W	540 g	3
A130UD71LLI400	K300665	1250 V	1300 V	400 A	38 kA ² s	308 kA ² s	100 kA	80 W	540 g	3
A130UD71LLI450	L300666	1250 V	1300 V	450 A	47 kA ² s	378 kA ² s	100 kA	95 W	540 g	3
A120UD71LLI500	M300667	1100 V	1200 V	500 A	68 kA ² s	441 kA ² s	100 kA	100 W	540 g	3
A120UD71LLI550	N300668	1100 V	1200 V	550 A	84 kA ² s	548 kA ² s	100 kA	112 W	540 g	3
A110UD71LLI630	P300669	1000 V	1100 V	630 A	126 kA ² s	725 kA ² s	120 kA	120 W	540 g	3

MERSEN reserves the right to change, update or correct, without notice, any information contained in this datasheet.

Protistor® size 71 aR

750 to 1250VAC (IEC) / 1300VAC (UL)

PRODUCT RANGE

Size 71 type NH style blade contacts

Catalog number	Reference number	Rated voltage AC (IEC)	Rated voltage AC (UL)	Rated current I _n	Pre-arcing I ² t	Clearing I ² t at Rated Voltage	Rated breaking capacity AC	Power dissipation at I _n	Weight	Package
PC71UD13C160PA	M301219	1250 V	1300 V	160 A	2.6 kA ² s	21 kA ² s	100 kA	46 W	560 g	3
PC71UD13C200PA	G301835	1250 V	1300 V	200 A	4.7 kA ² s	38 kA ² s	100 kA	54 W	560 g	3
PC71UD13C250PA	B301163	1250 V	1300 V	250 A	8.9 kA ² s	72 kA ² s	100 kA	61 W	560 g	3
PC71UD13C315PA	A300840	1250 V	1300 V	315 A	16 kA ² s	129 kA ² s	100 kA	76 W	560 g	3
PC71UD13C350PA	H1000070	1250 V	1300 V	350 A	22 kA ² s	178 kA ² s	100 kA	80 W	560 g	3
PC71UD13C400PA	Q301222	1250 V	1300 V	400 A	38 kA ² s	308 kA ² s	100 kA	80 W	560 g	3
PC71UD13C450PA	W302975	1250 V	1300 V	450 A	47 kA ² s	378 kA ² s	100 kA	95 W	560 g	3

Size 71 type DIN110

Catalog number	Reference number	Rated voltage AC (IEC)	Rated voltage AC (UL)	Rated current I _n	Pre-arcing I ² t	Clearing I ² t at Rated Voltage	Rated breaking capacity AC	Power dissipation at I _n	Weight	Package
PC71UD13C160D1A	D300751	1250 V	1300 V	160 A	2.6 kA ² s	21 kA ² s	100 kA	46 W	520 g	3
PC71UD13C200D1A	E300545	1250 V	1300 V	200 A	4.7 kA ² s	38 kA ² s	100 kA	54 W	520 g	3
PC71UD13C250D1A	F300546	1250 V	1300 V	250 A	8.9 kA ² s	72 kA ² s	100 kA	61 W	520 g	3
PC71UD10C630D1A	N300553	1000 V	1100 V	630 A	125 kA ² s	725 kA ² s	150 kA	120 W	520 g	3
PC71UD12C280D1A	K300711	1250 V	1300 V	280 A	12 kA ² s	96 kA ² s	100 kA	70 W	520 g	3
PC71UD12C315D1A	G300547	1250 V	1300 V	315 A	16 kA ² s	129 kA ² s	100 kA	76 W	520 g	3
PC71UD13C350D1A	H300548	1250 V	1300 V	350 A	22 kA ² s	178 kA ² s	100 kA	80 W	520 g	3
PC71UD13C400D1A	J300549	1250 V	1300 V	400 A	38 kA ² s	308 kA ² s	100 kA	80 W	520 g	3
PC71UD13C450D1A	K300550	1250 V	1300 V	450 A	47 kA ² s	378 kA ² s	100 kA	95 W	520 g	3
PC71UD11C500D1A	L300551	1100 V	1200 V	500 A	68 kA ² s	441 kA ² s	150 kA	100 W	520 g	3
PC71UD13C550D1A	M300552	1100 V	1200 V	550 A	84 kA ² s	548 kA ² s	150 kA	112 W	520 g	3

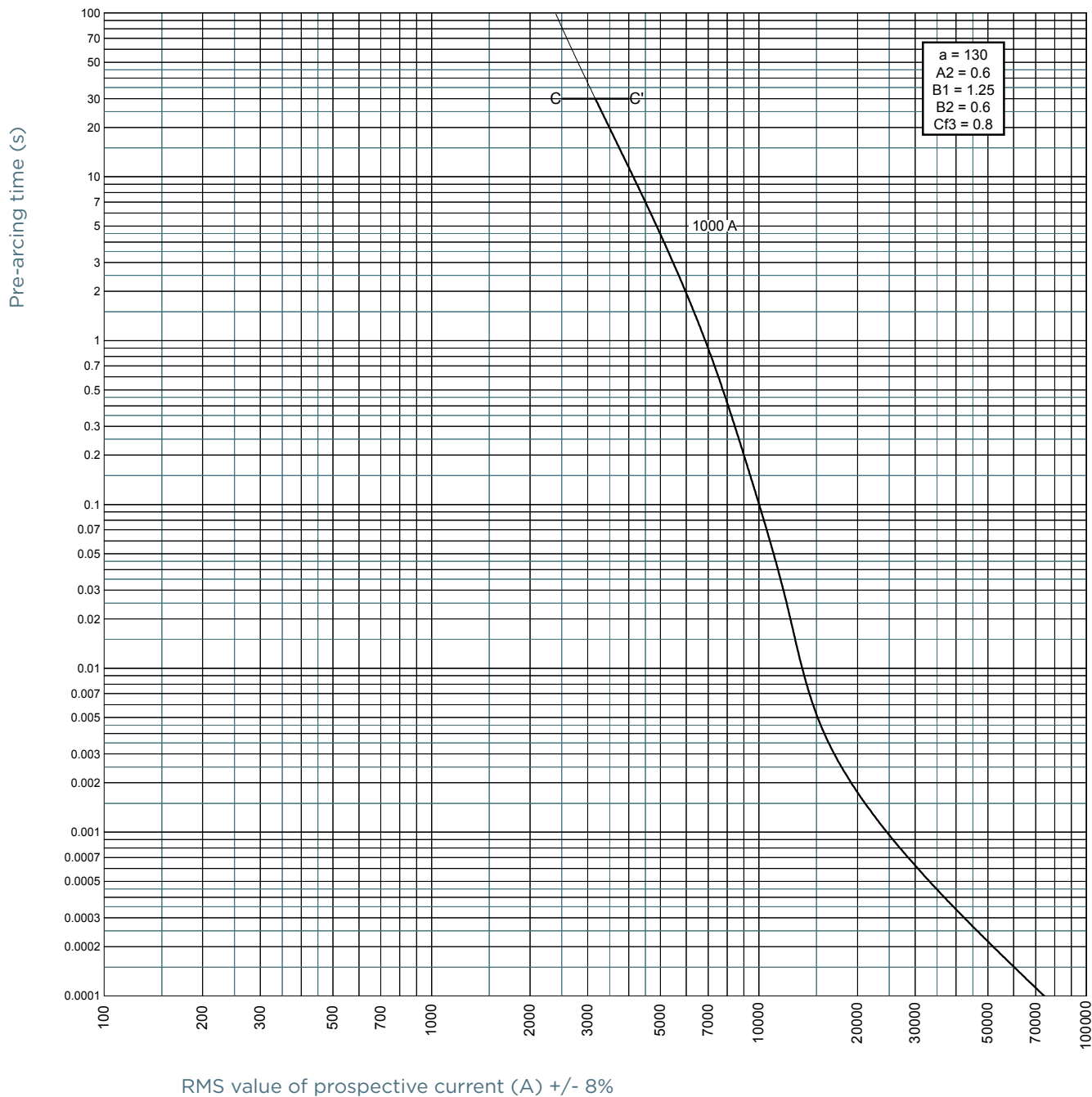
Size 71 type EF style notched blade connections

Catalog number	Reference number	Rated voltage AC (IEC)	Rated voltage AC (UL)	Rated current I _n	Pre-arcing I ² t	Clearing I ² t at Rated Voltage	Rated breaking capacity AC	Power dissipation at I _n	Weight	Package
PC71UD13C160EF	C300750	1250 V	1300 V	160 A	2.6 kA ² s	21 kA ² s	100 kA	46 W	540 g	3
PC71UD13C200EF	Z300609	1250 V	1300 V	200 A	4.7 kA ² s	38 kA ² s	100 kA	54 W	540 g	3
PC71UD13C250EF	A300610	1250 V	1300 V	250 A	8.9 kA ² s	72 kA ² s	100 kA	61 W	540 g	3
PC71UD13C280EF	M300713	1250 V	1300 V	280 A	12 kA ² s	96 kA ² s	100 kA	70 W	540 g	3
PC71UD10C630EF	H300617	1000 V	1100 V	630 A	126 kA ² s	725 kA ² s	150 kA	120 W	540 g	3
PC71UD13C315EF	B300611	1250 V	1300 V	315 A	16 kA ² s	129 kA ² s	100 kA	76 W	540 g	3
PC71UD13C350EF	C300612	1250 V	1300 V	350 A	22 kA ² s	178 kA ² s	100 kA	80 W	540 g	3
PC71UD13C400EF	D300613	1250 V	1300 V	400 A	38 kA ² s	308 kA ² s	100 kA	80 W	540 g	3
PC71UD13C450EF	E300614	1250 V	1300 V	450 A	47 kA ² s	378 kA ² s	100 kA	95 W	540 g	3
PC71UD11C500EF	F300615	1100 V	1200 V	500 A	68 kA ² s	441 kA ² s	150 kA	100 W	540 g	3
PC71UD11C550EF	G300616	1100 V	1200 V	550 A	84 kA ² s	548 kA ² s	150 kA	112 W	540 g	3

MERSEN reserves the right to change, update or correct, without notice, any information contained in this datasheet.

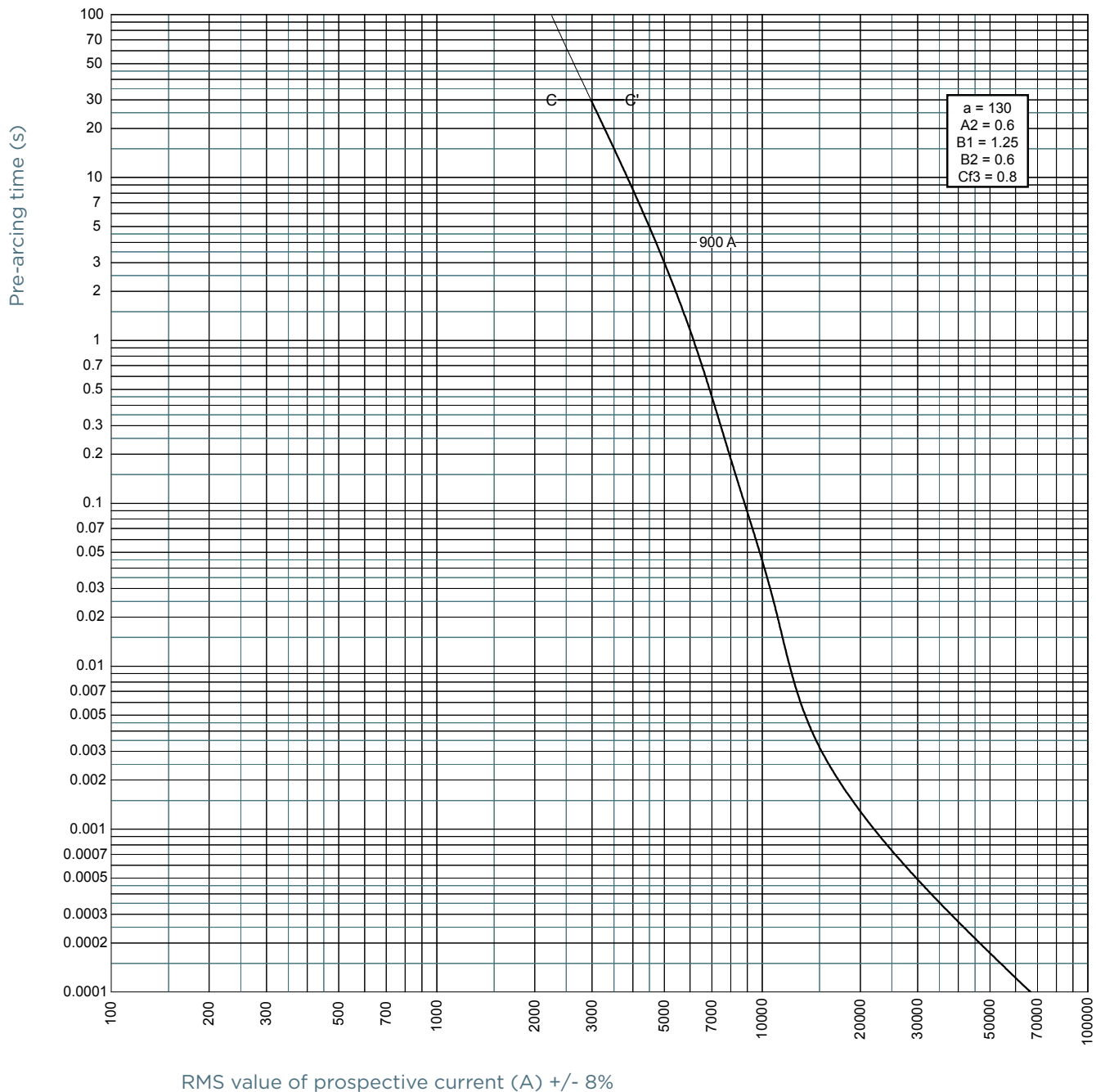
TIME CURRENT CHARACTERISTIC CURVES

size 71 aR 750V 1000A



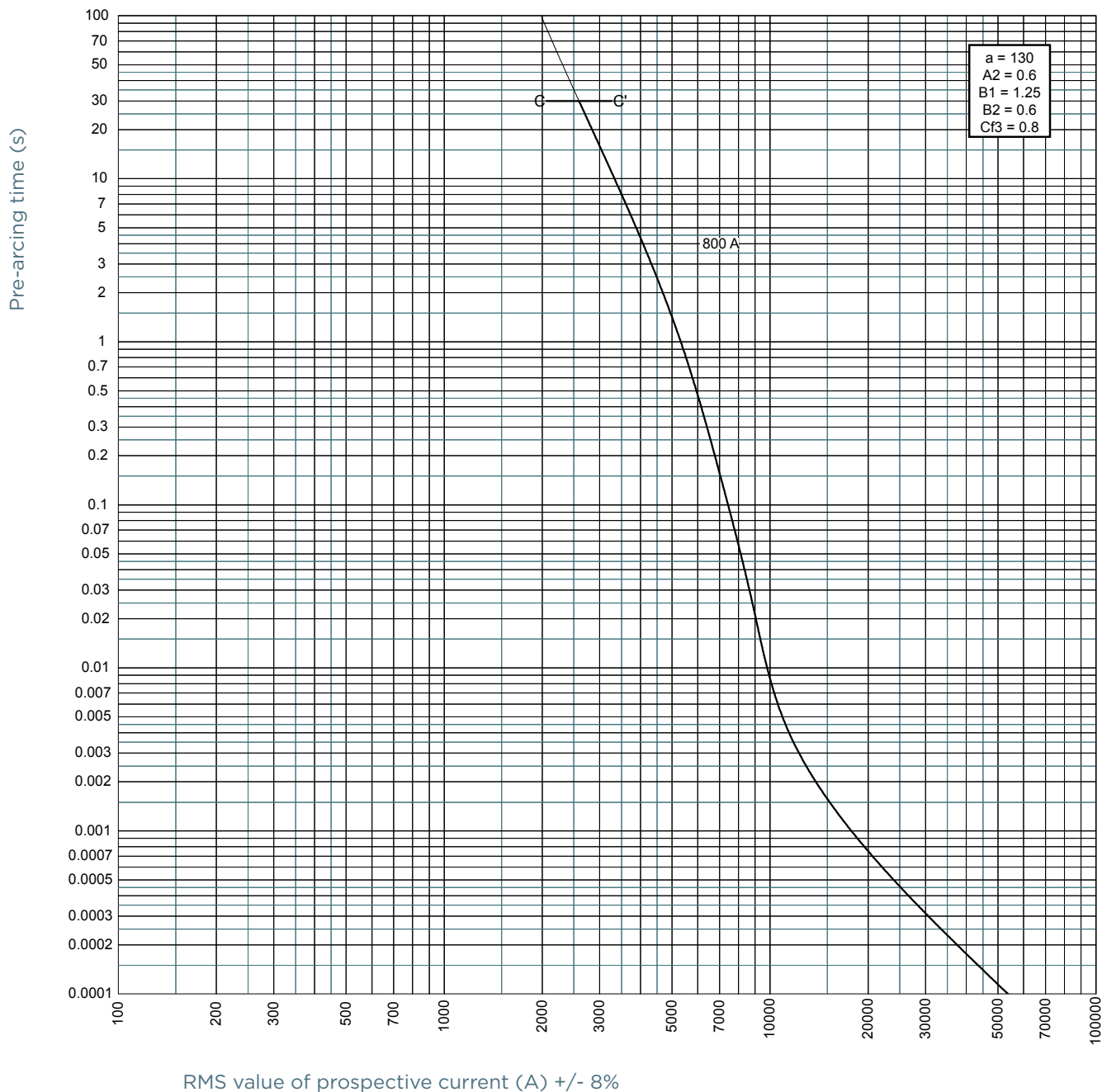
TIME CURRENT CHARACTERISTIC CURVES

size 71 aR 800V 900A



TIME CURRENT CHARACTERISTIC CURVES

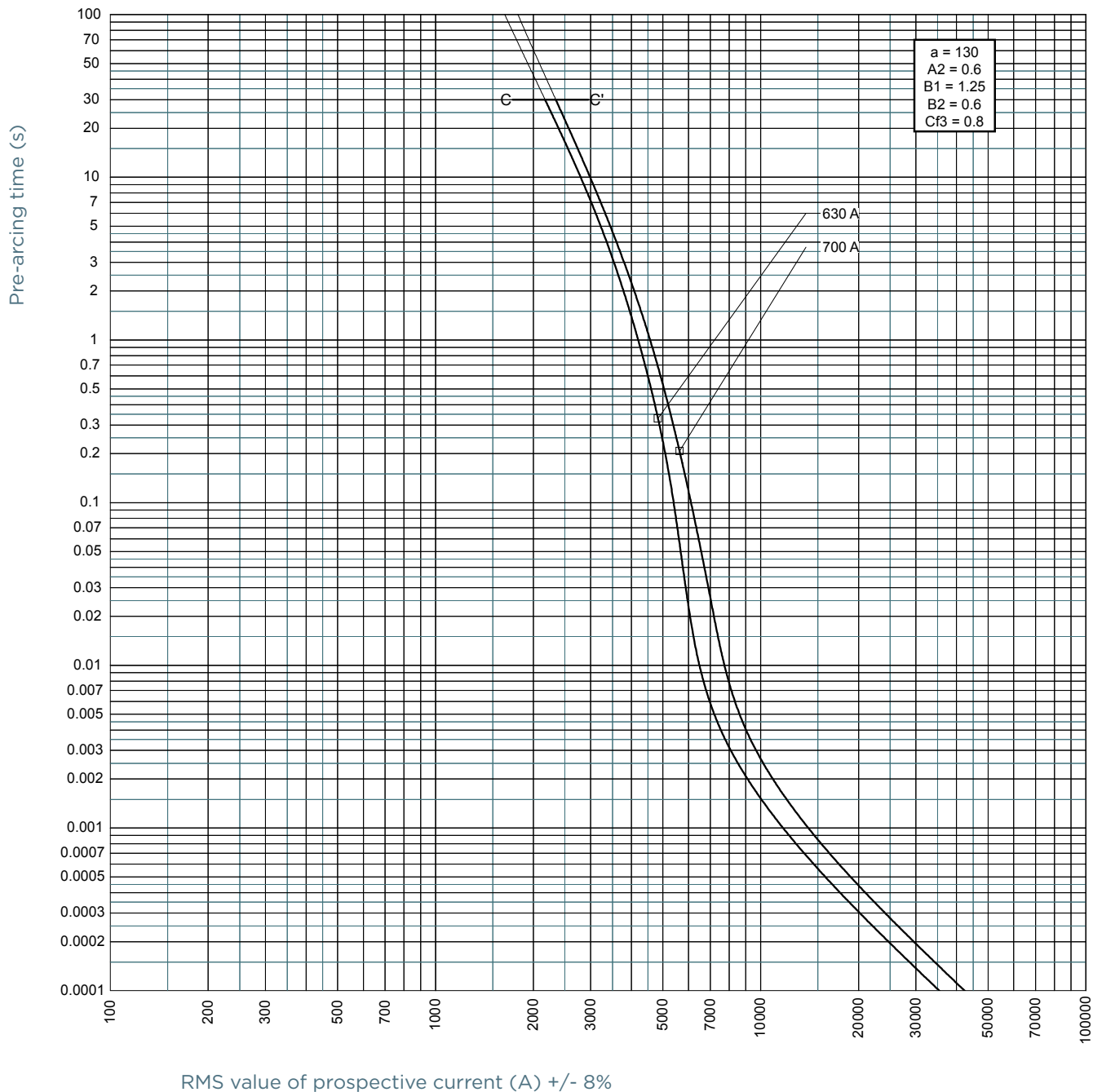
size 71 aR 900V 800A



MERSEN reserves the right to change, update or correct, without notice, any information contained in this datasheet.

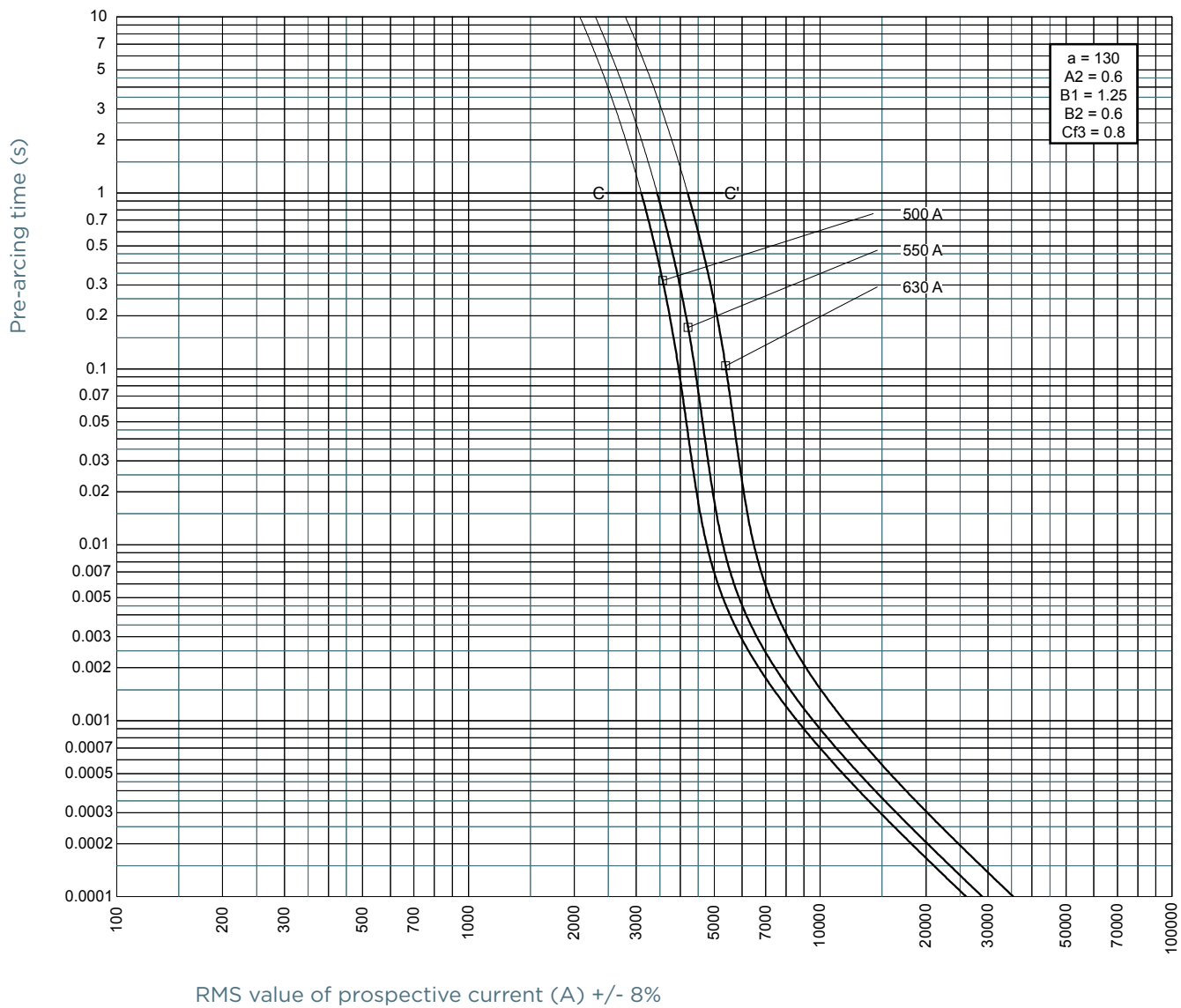
TIME CURRENT CHARACTERISTIC CURVES

size 71 aR 1000V 630-700A



TIME CURRENT CHARACTERISTIC CURVES

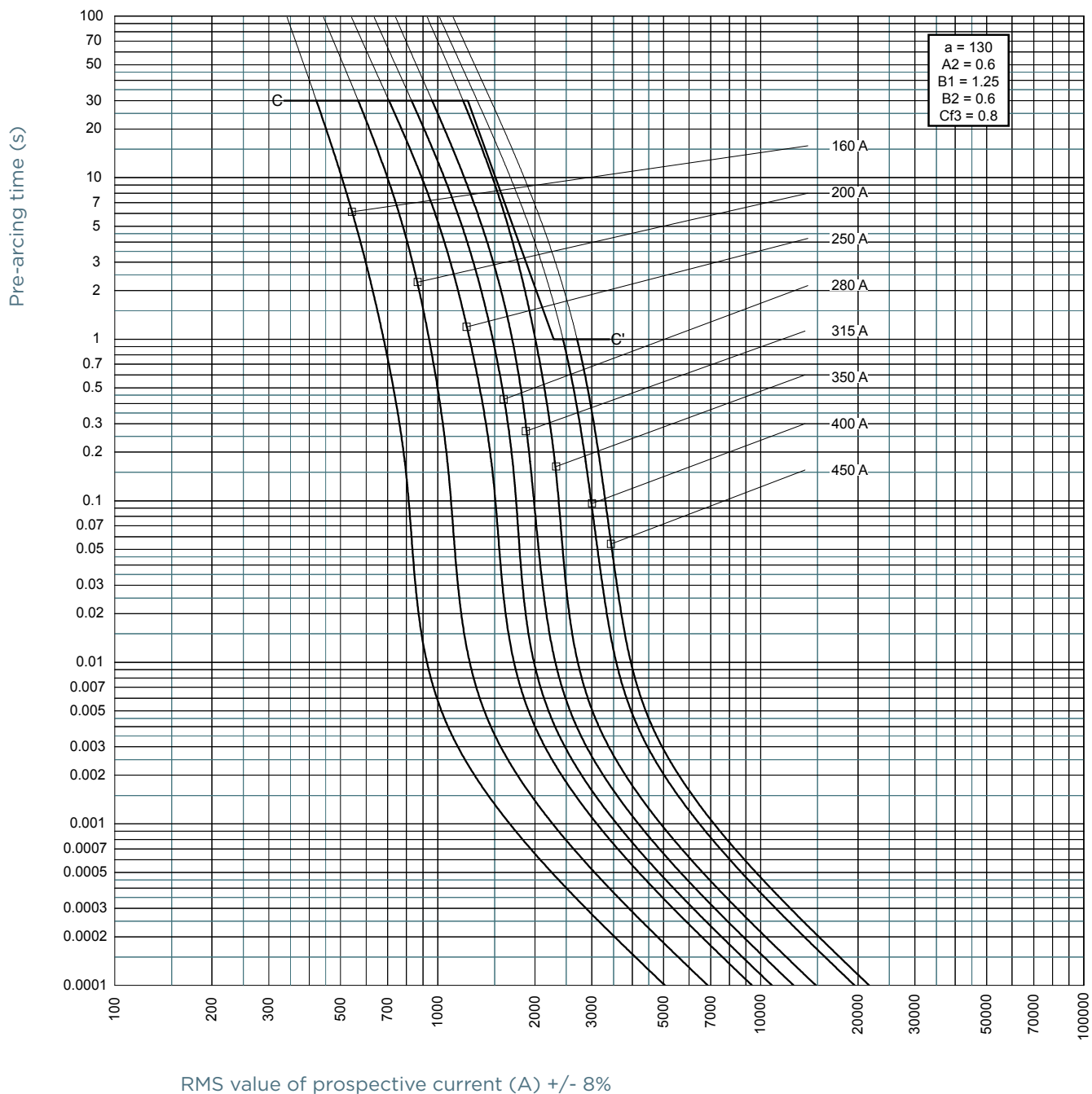
size 71 aR 1100V 500-630A



MERSEN reserves the right to change, update or correct, without notice, any information contained in this datasheet.

TIME CURRENT CHARACTERISTIC CURVES

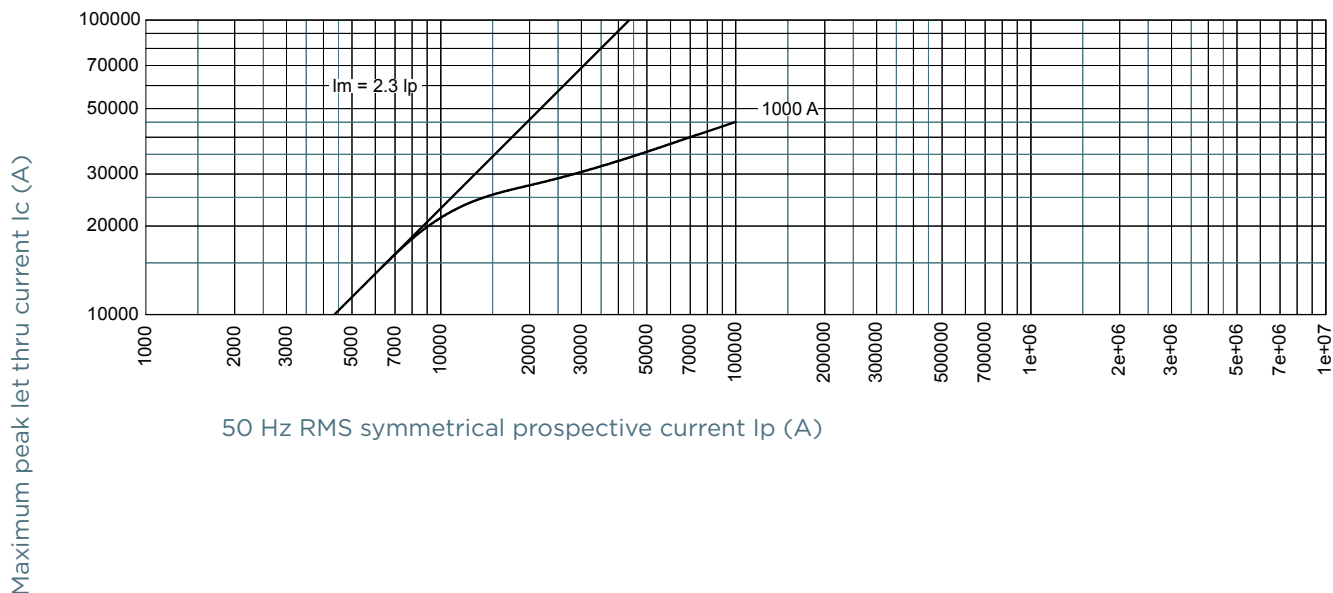
size 71 aR 1250V 160-450A



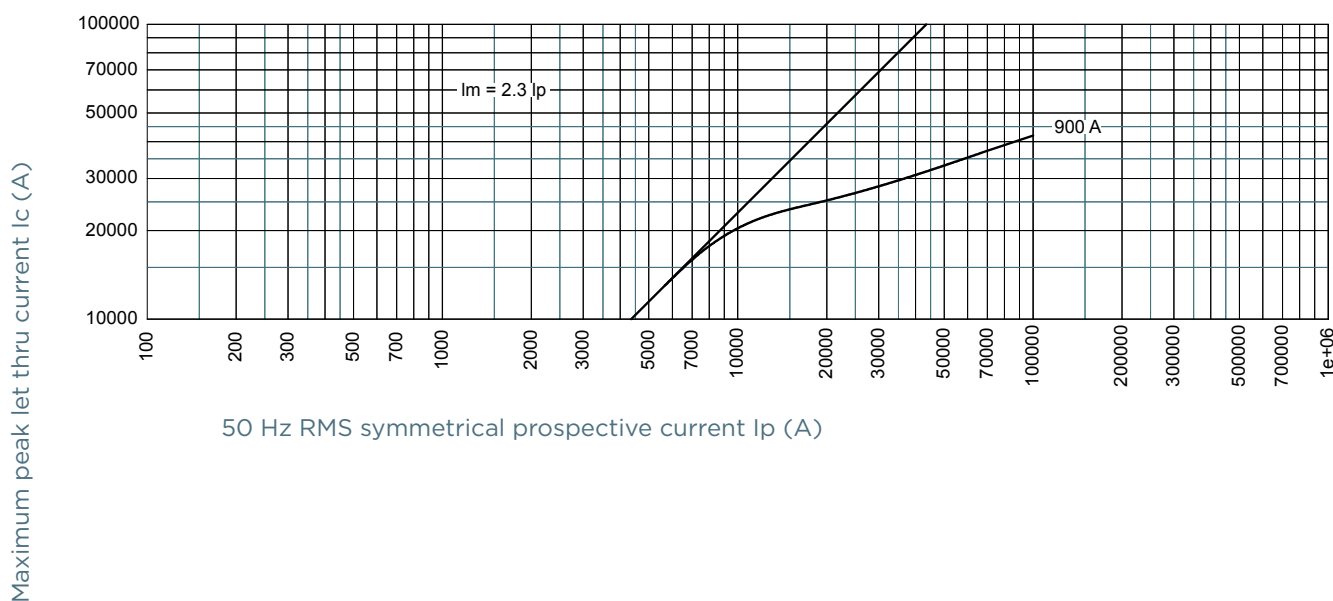
MERSEN reserves the right to change, update or correct, without notice, any information contained in this datasheet.

CUT-OFF CURRENT CHARACTERISTIC

size 71 aR 750V 1000A

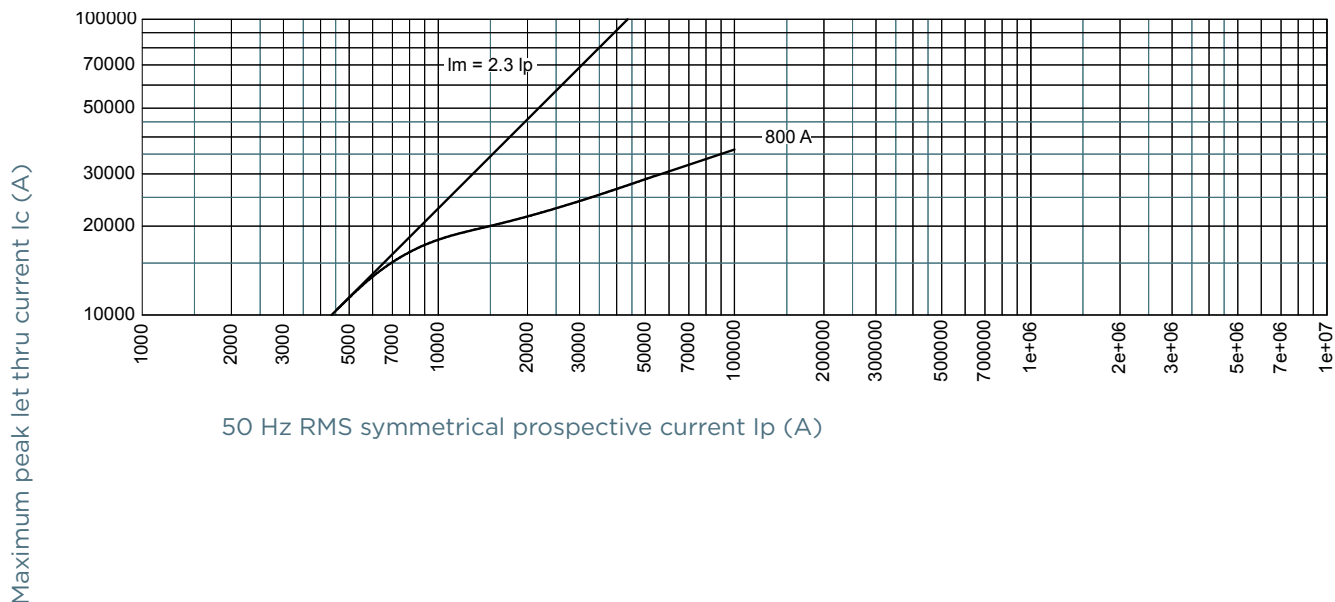


size 71 aR 800V 900A

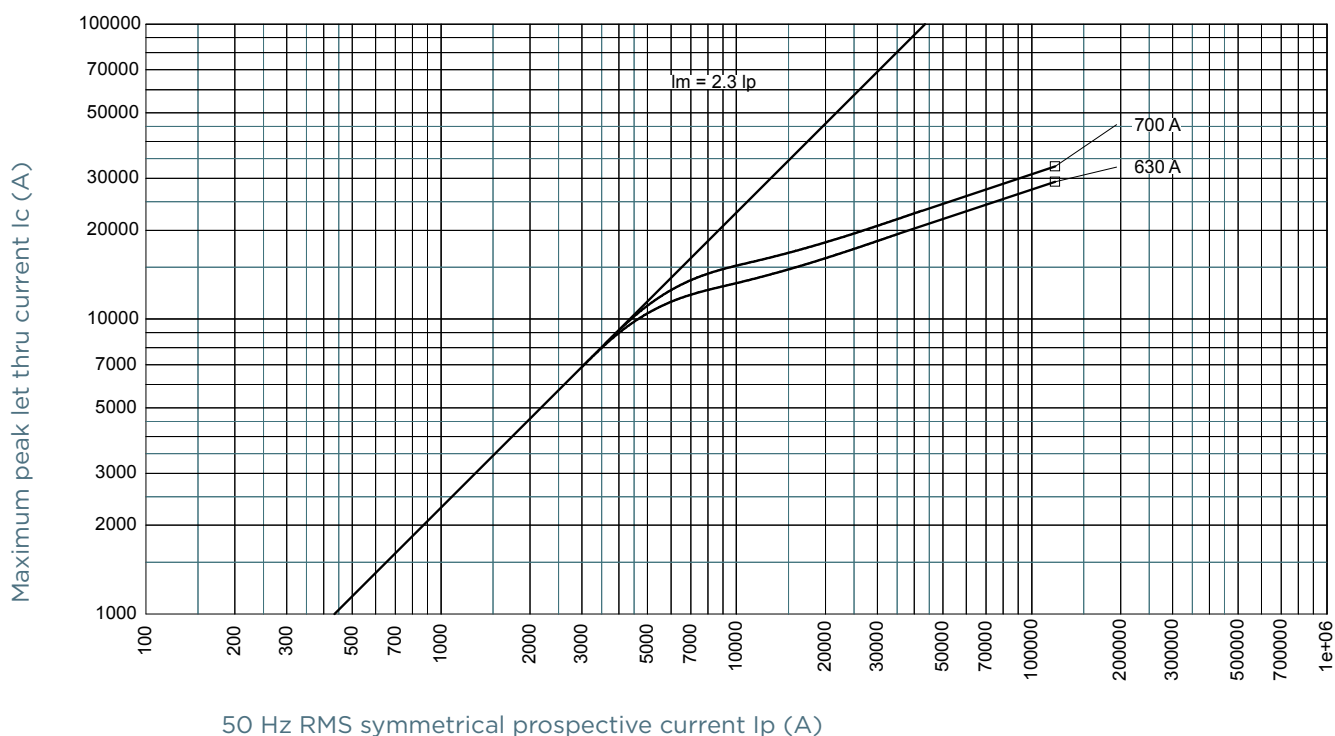


CUT-OFF CURRENT CHARACTERISTIC

size 71 aR 900V 800A

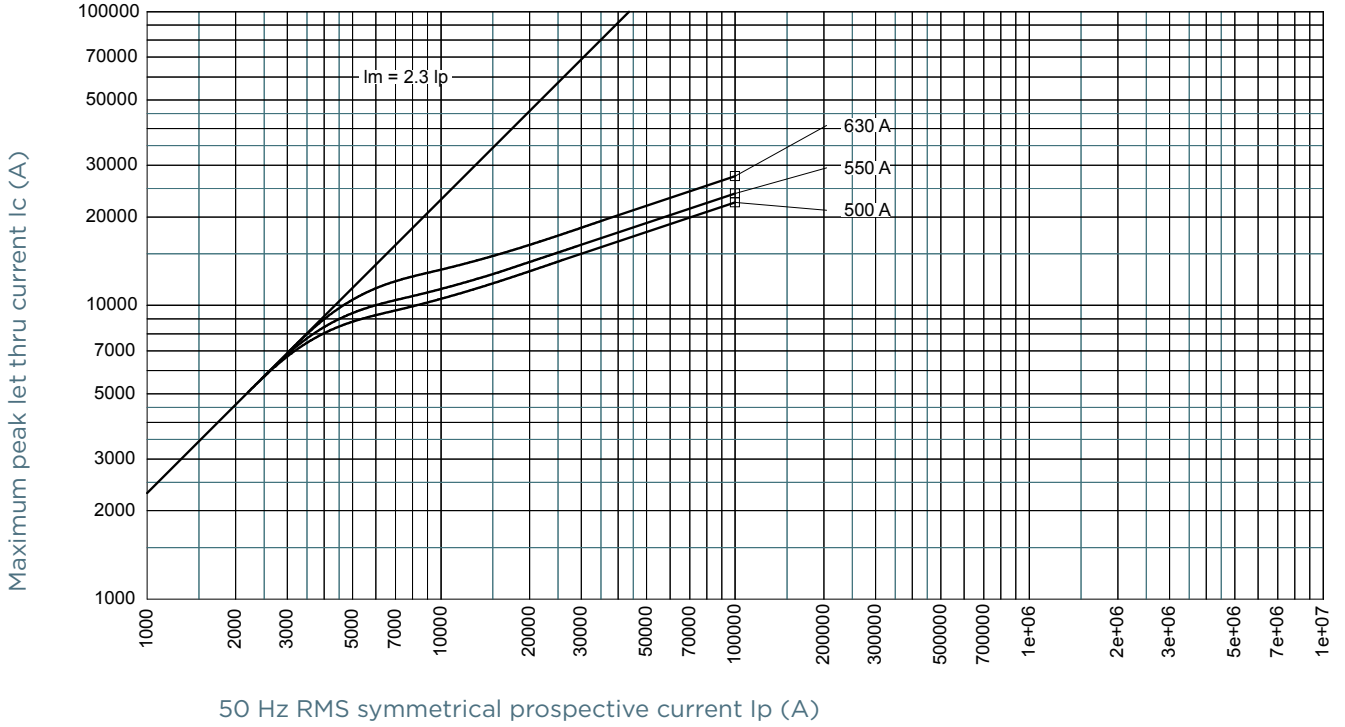


size 71 aR 1000V 630-700A

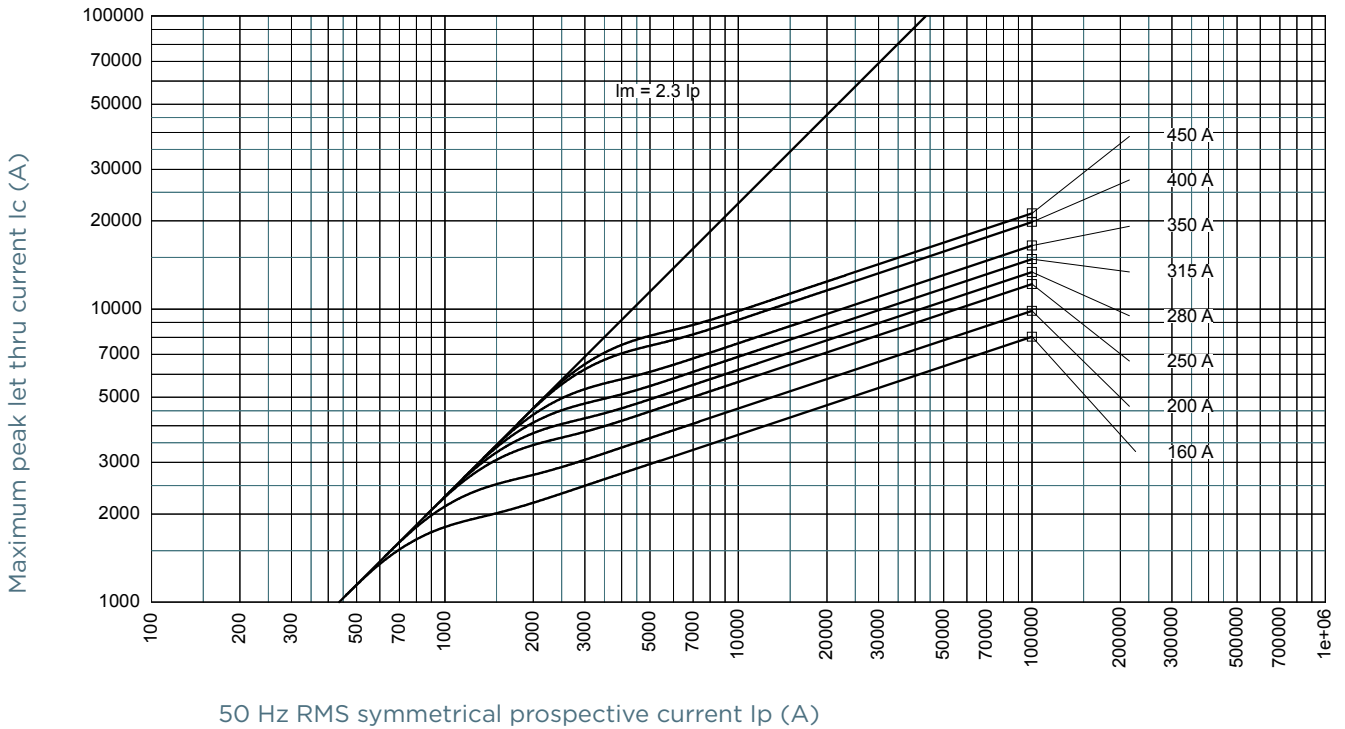


CUT-OFF CURRENT CHARACTERISTIC

size 71 aR 1100V 500-630A



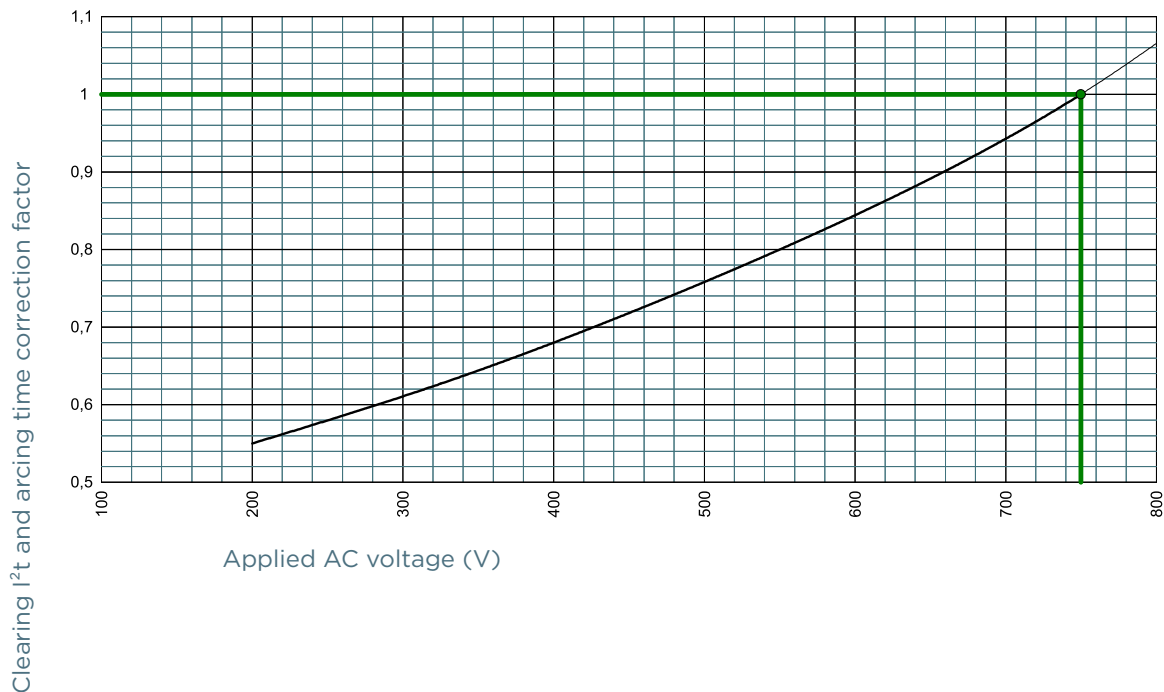
size 71 aR 1250V 160-450A



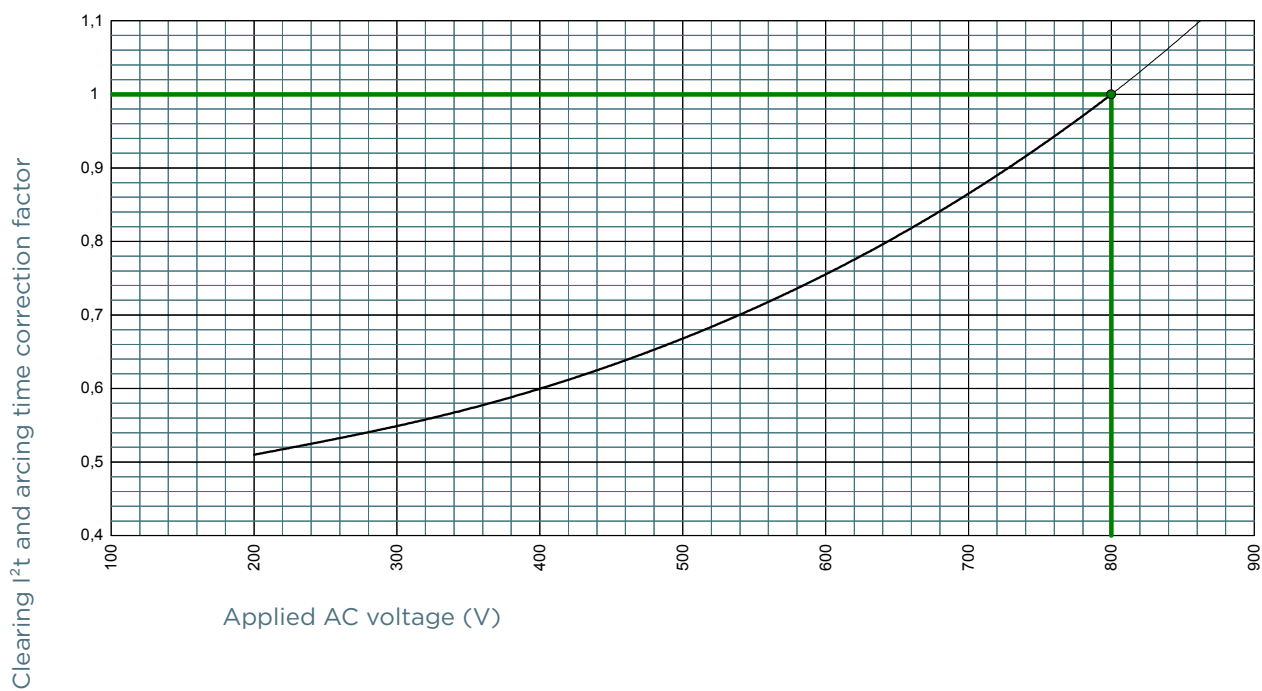
MERSEN reserves the right to change, update or correct, without notice, any information contained in this datasheet.

I²T MULTIPLIER COEFFICIENT

Size 71 aR 750V

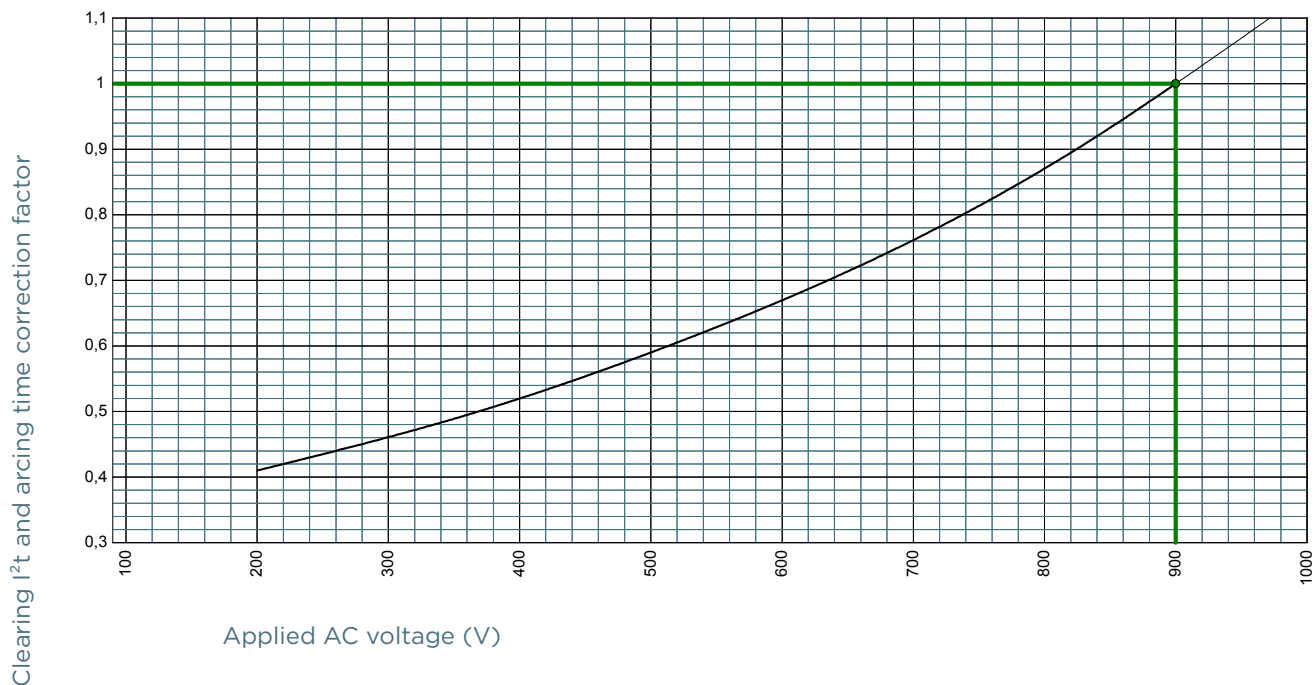


Size 71 aR 800V

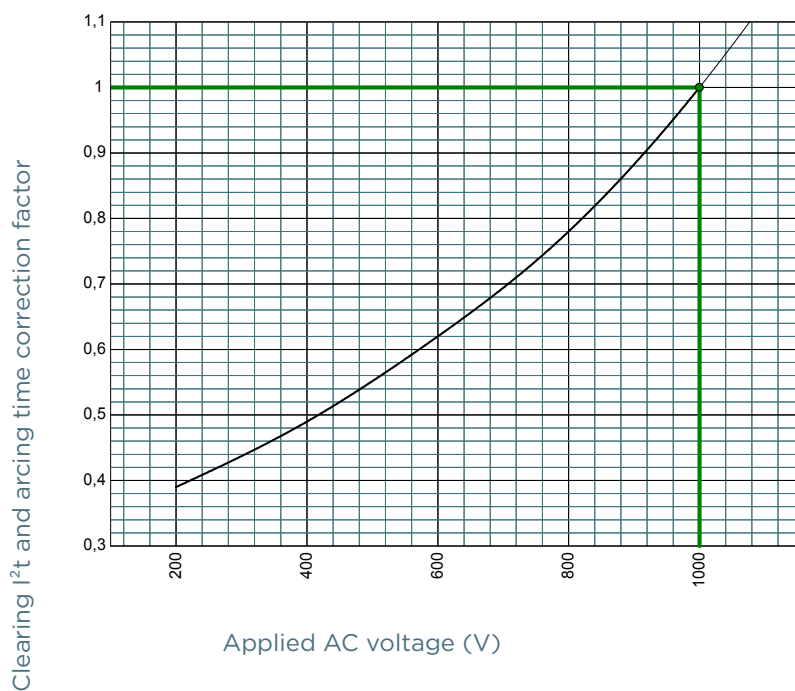


I²T MULTIPLIER COEFFICIENT

Size 71 aR 900V

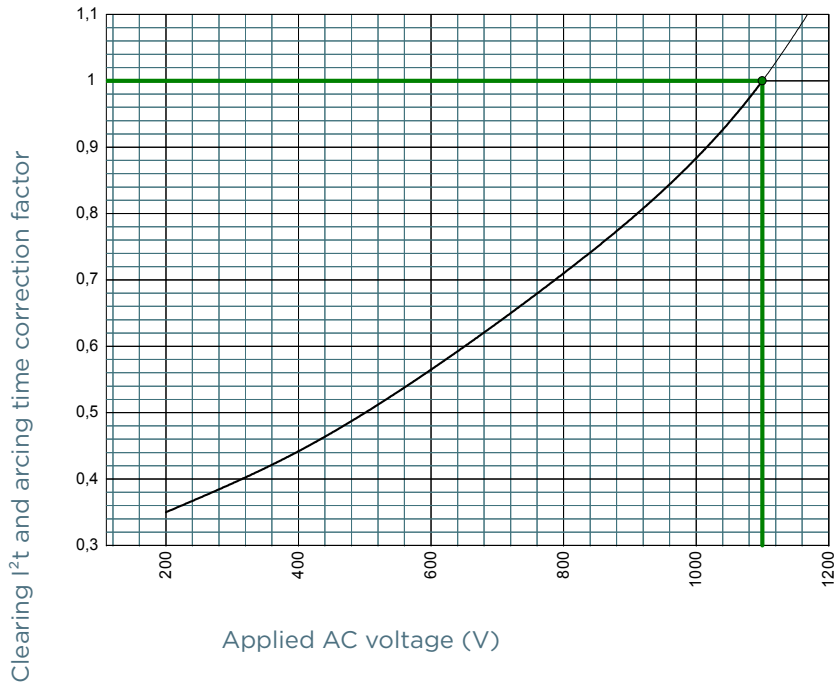


Size 71 aR 1000V

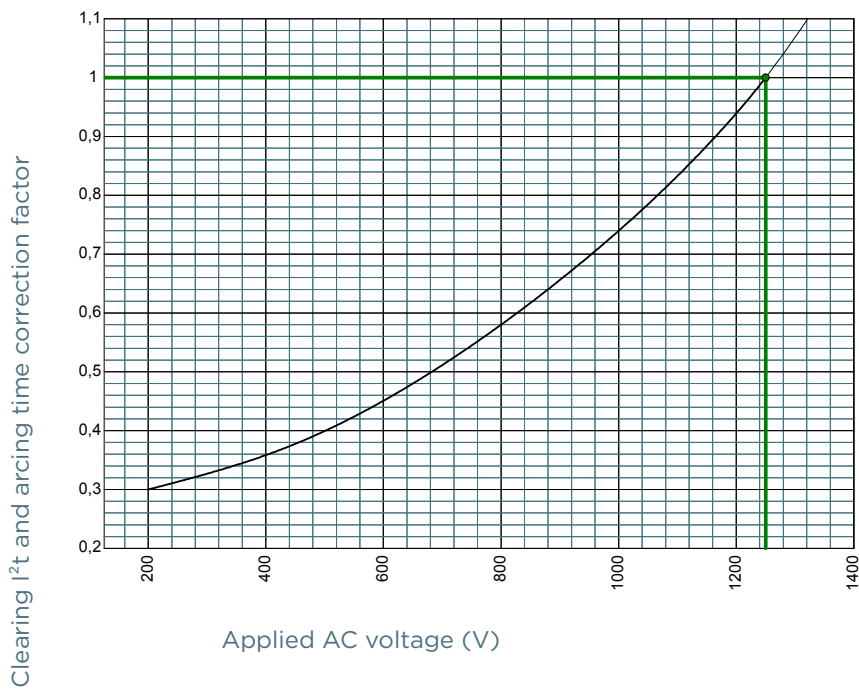


I²T MULTIPLIER COEFFICIENT

Size 71 aR 1100V



Size 71 aR 1250V

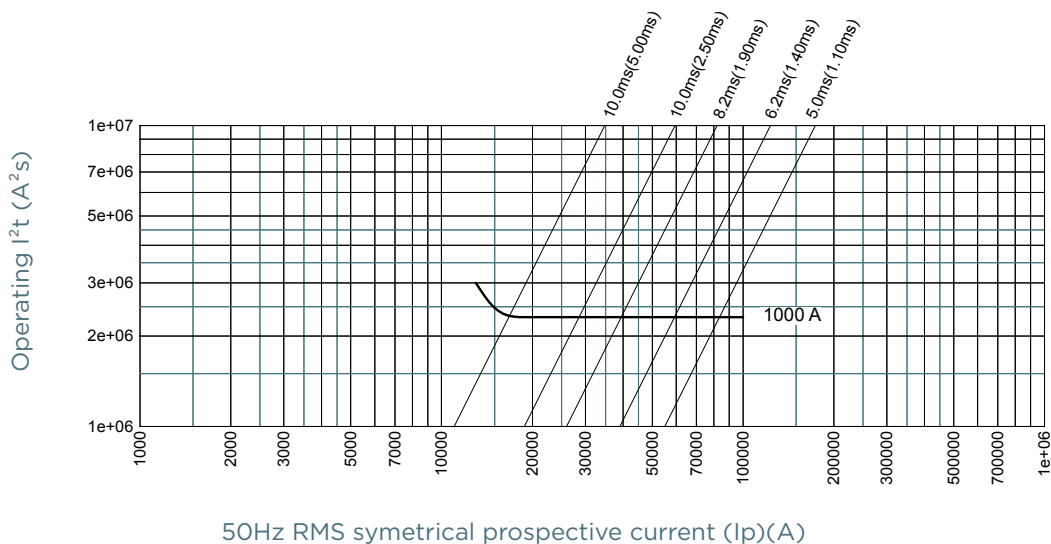


Protistor® size 71 aR

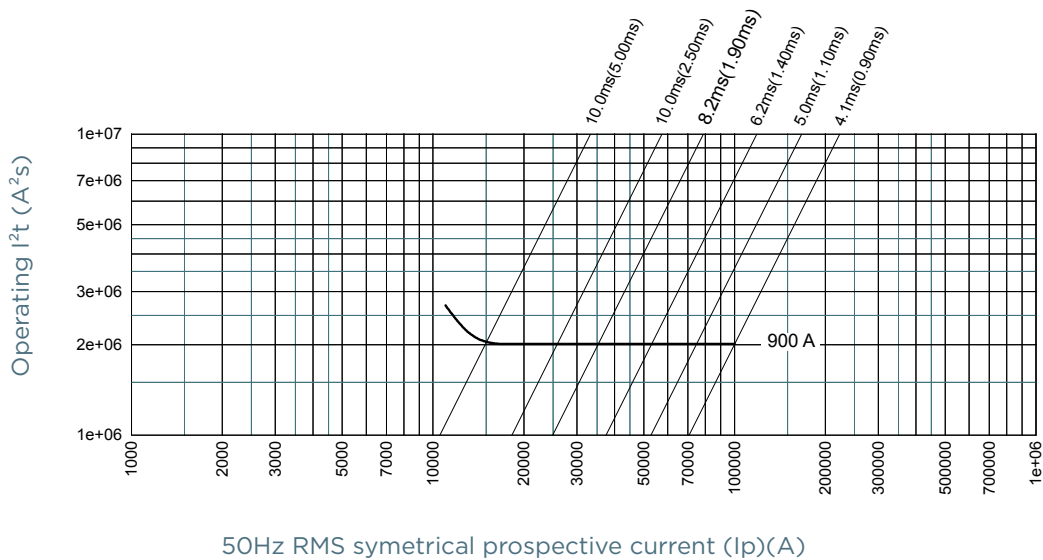
750 to 1250VAC (IEC) / 1300VAC (UL)

CHARACTERISTICS TOTAL I²T CURVE

Size 71 aR 750V

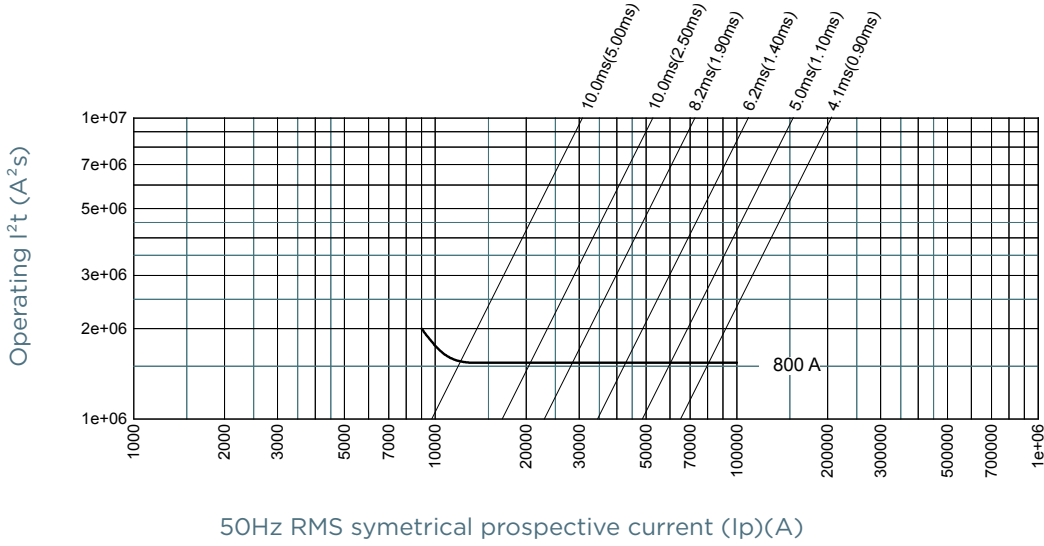


Size 71 aR 800V

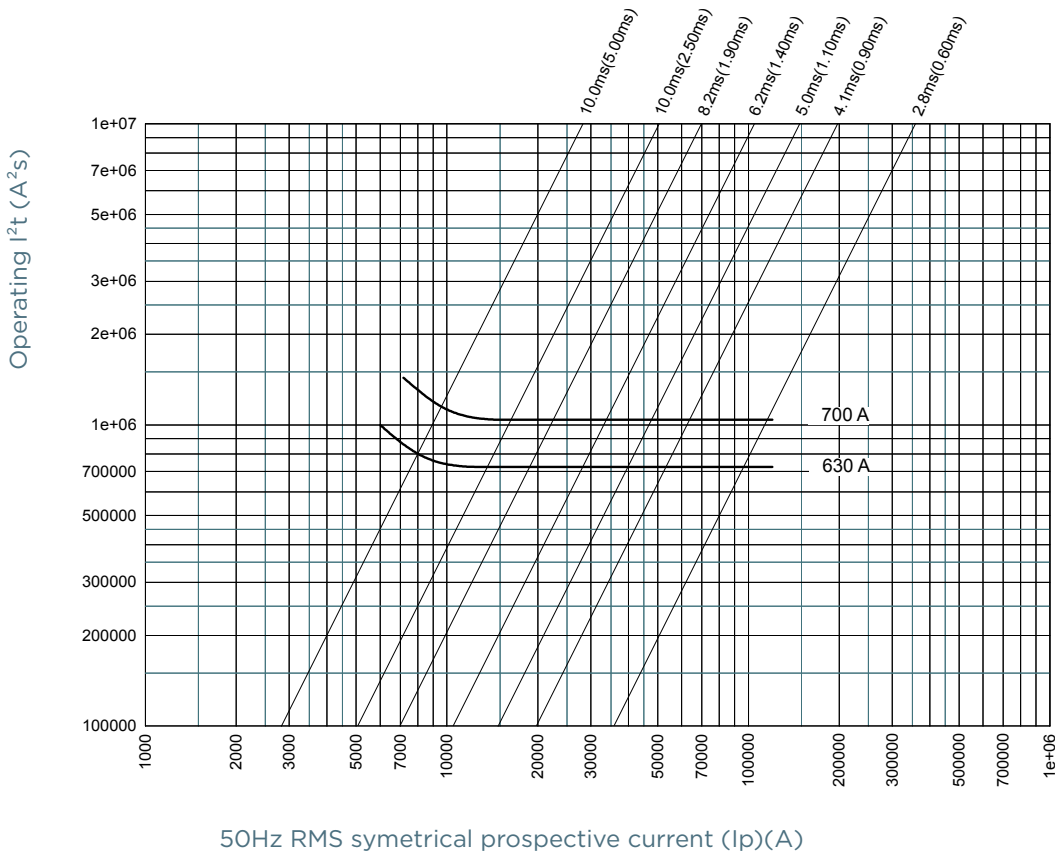


CHARACTERISTICS TOTAL I²T CURVE

Size 71 aR 900V

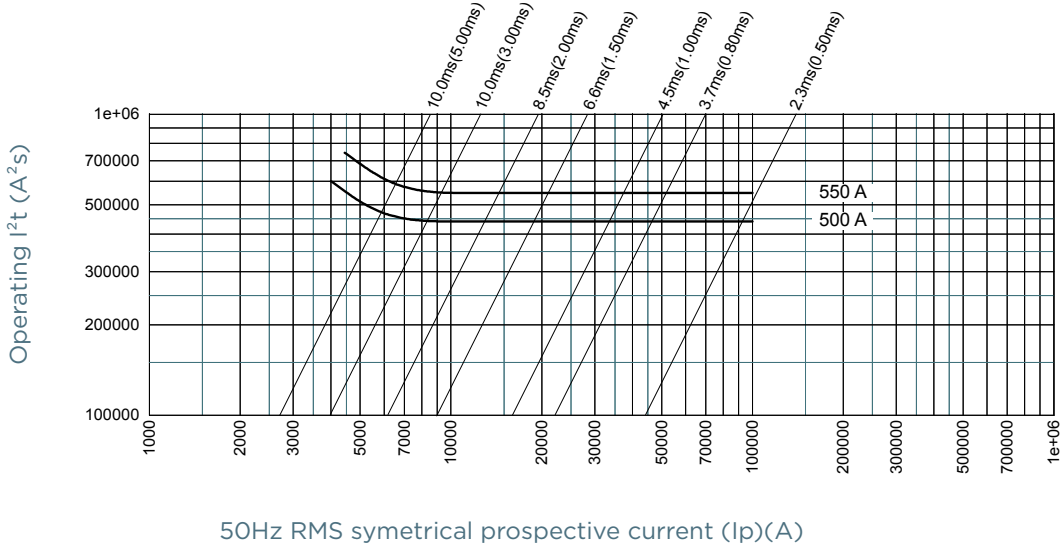


Size 71 aR 1000V

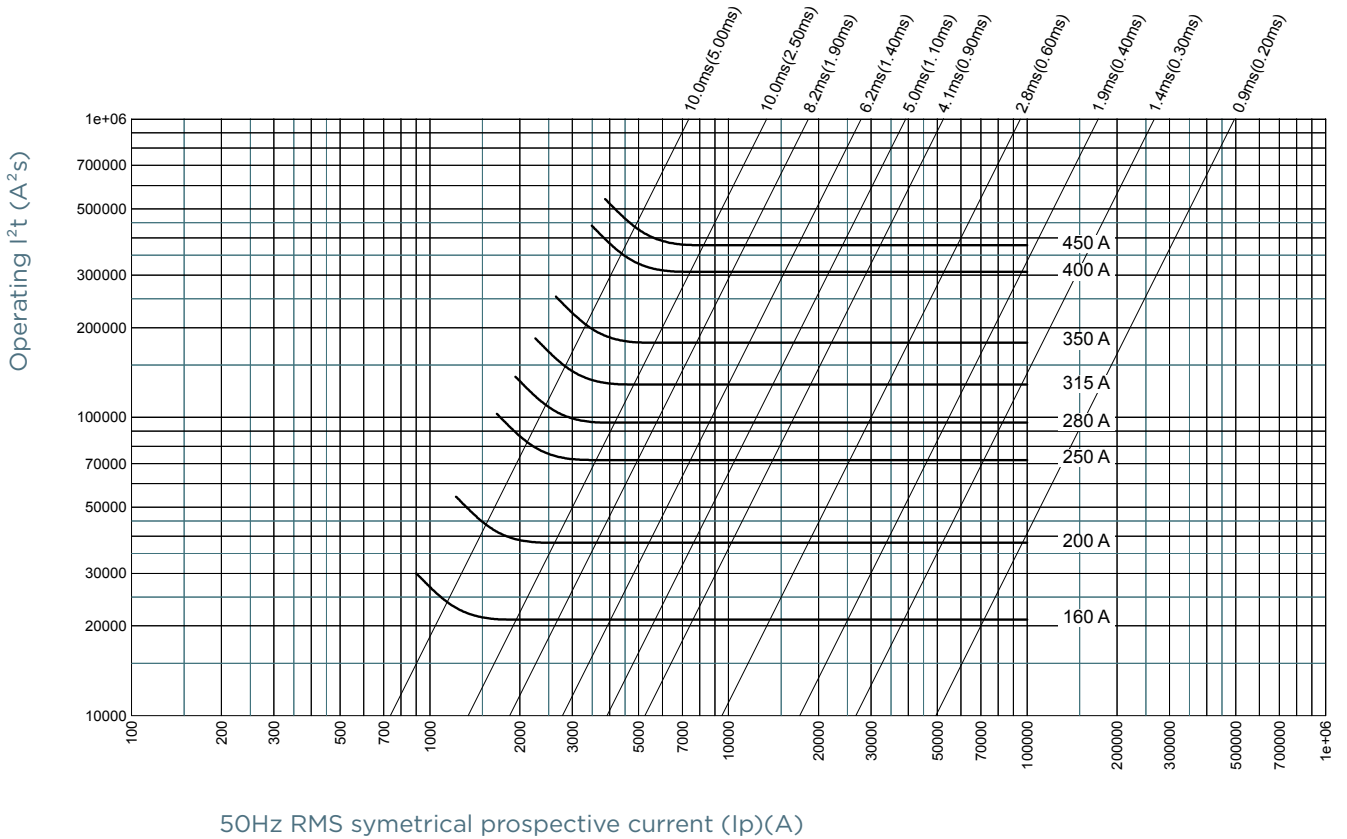


CHARACTERISTICS TOTAL I²T CURVE

Size 71 aR 1100V



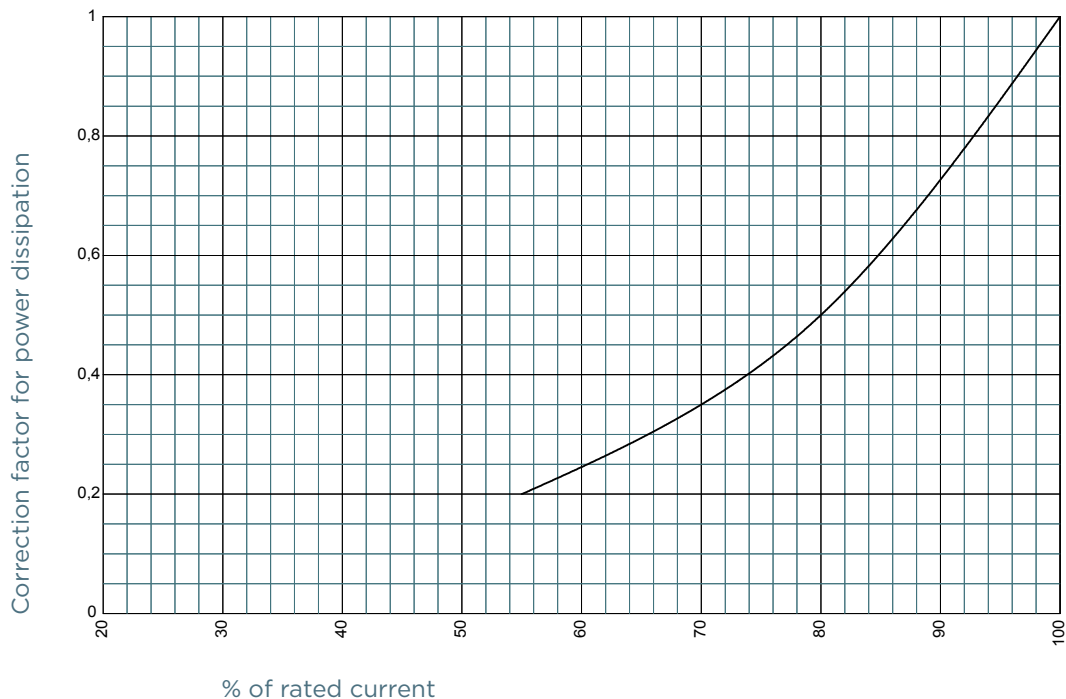
Size 71 aR 1250V



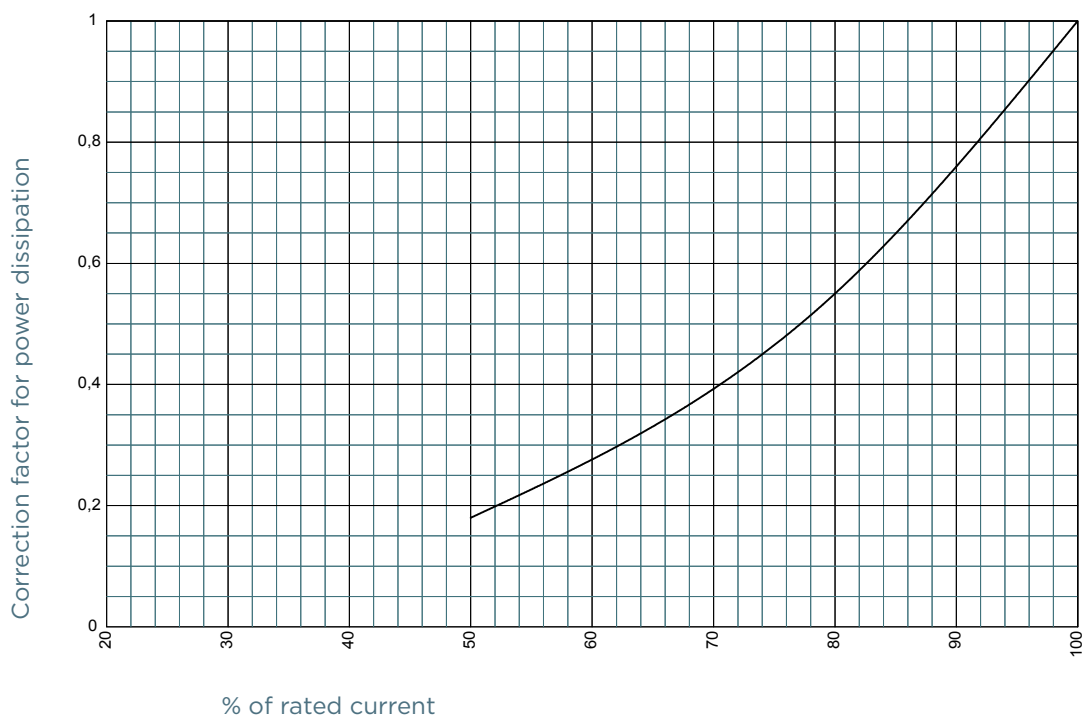
MERSEN reserves the right to change, update or correct, without notice, any information contained in this datasheet.

POWER DISSIPATION

Size 71 aR 500-1000A

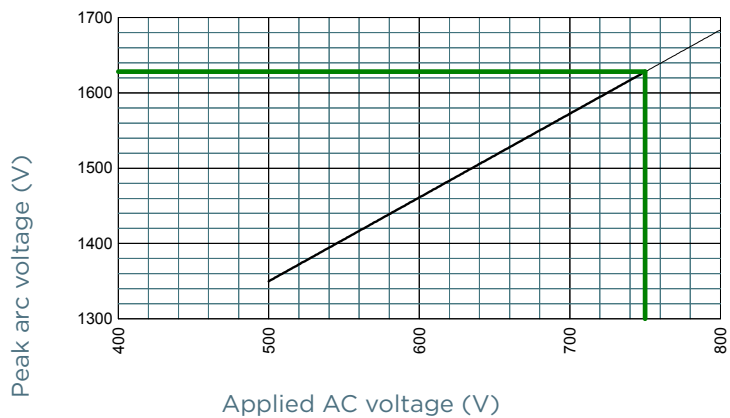


Size 71 aR 160-450A

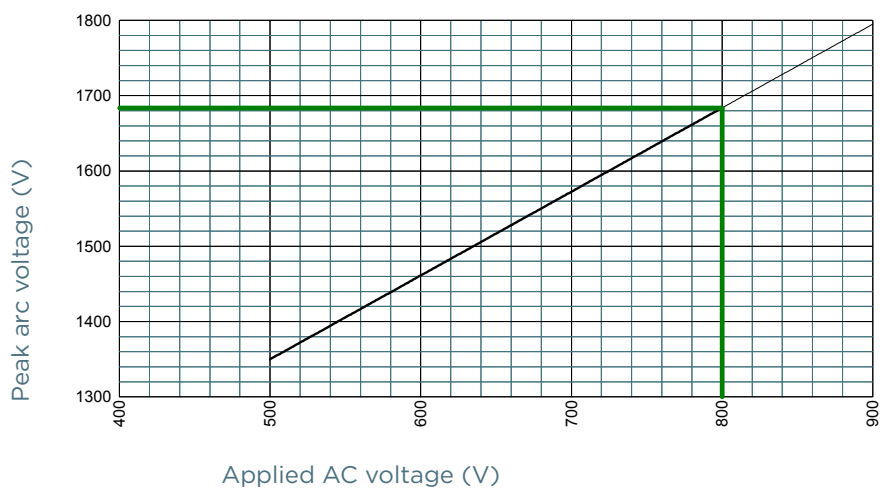


PEAK ARC VOLTAGE

Size 71 aR 750V

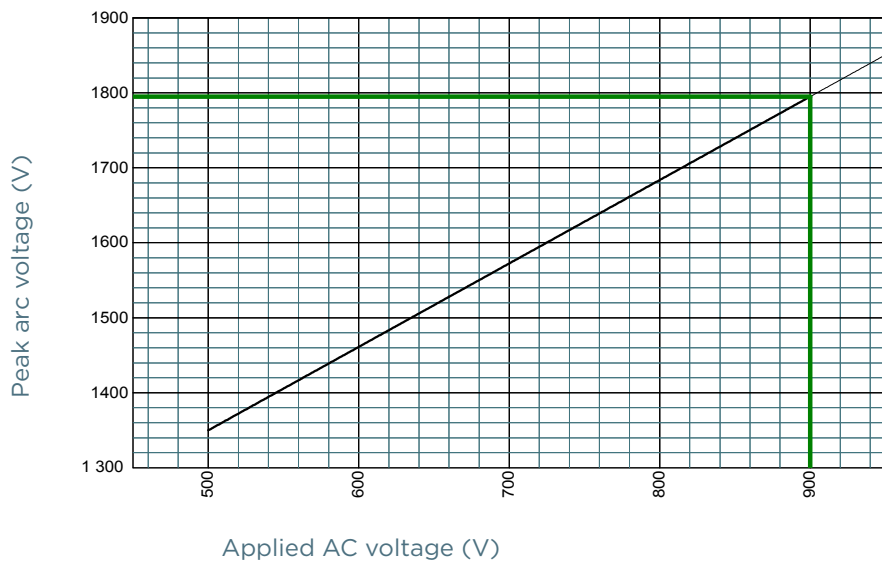


Size 71 aR 800V

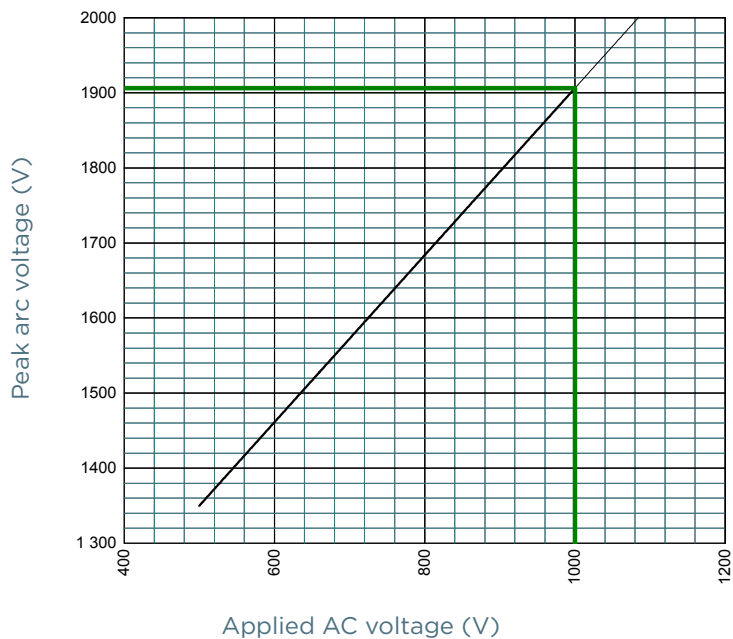


PEAK ARC VOLTAGE

Size 71 aR 900V

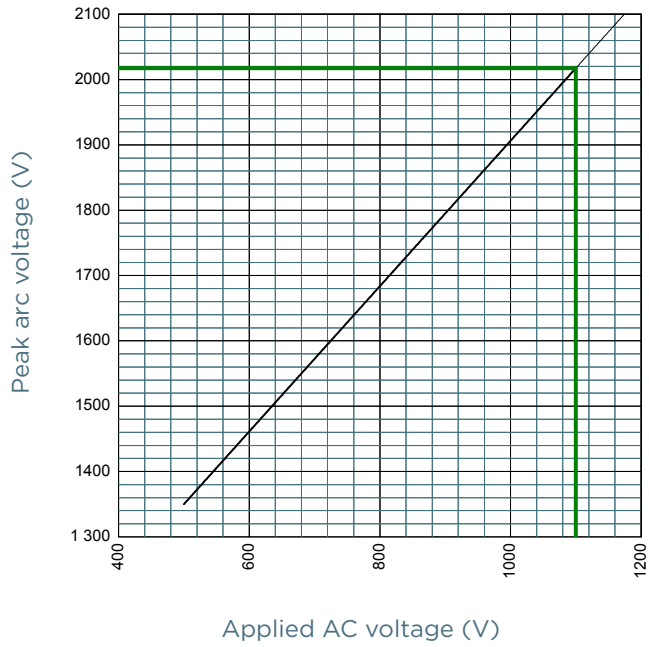


Size 71 aR 1000V

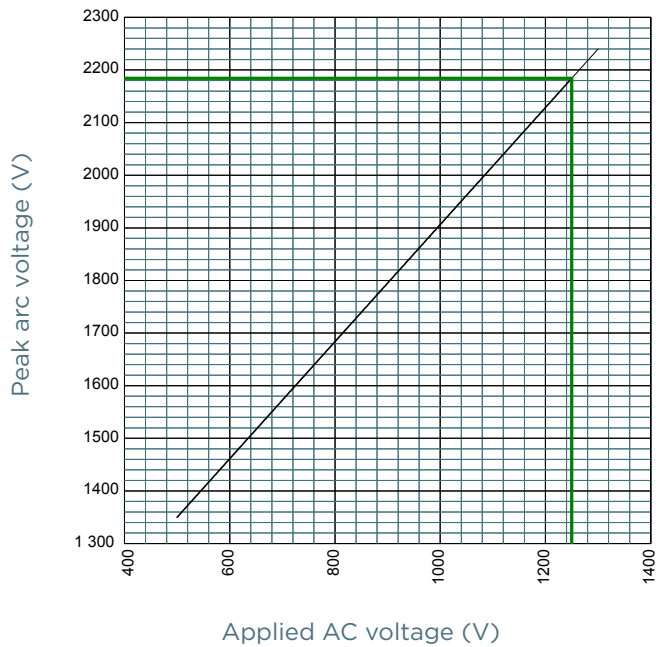


PEAK ARC VOLTAGE

Size 71 aR 1100V



Size 71 aR 1250V

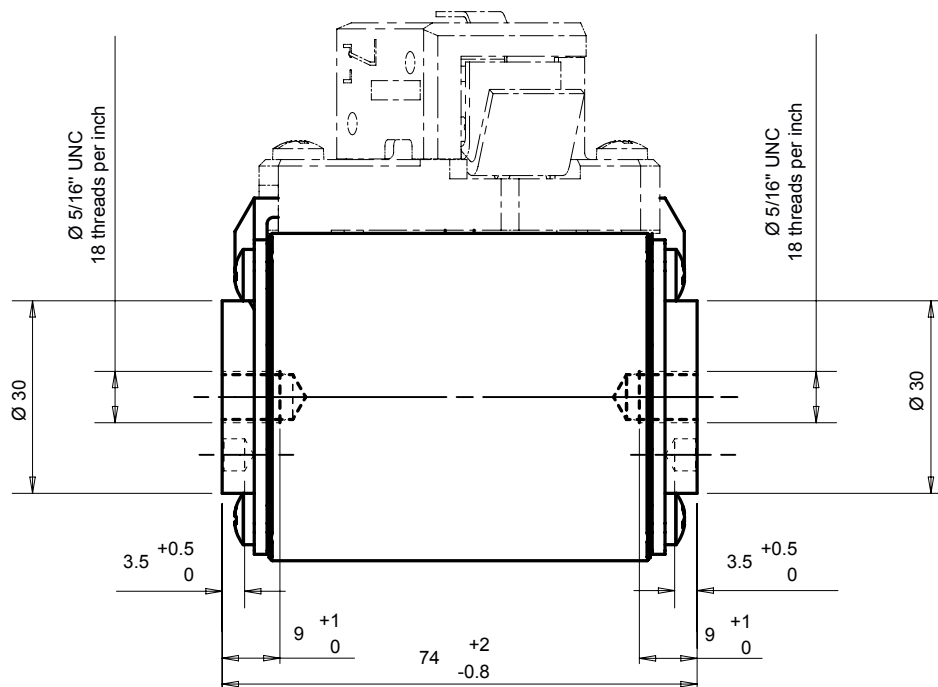


Protistor® size 71 aR

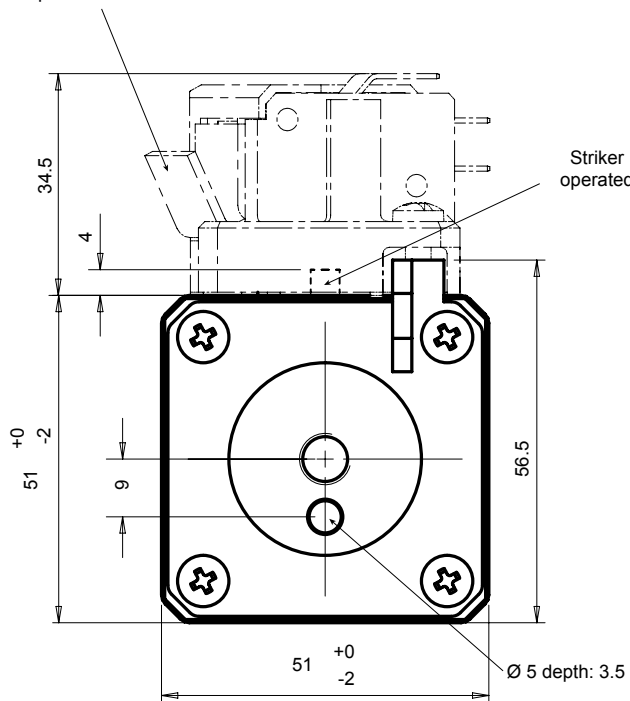
750 to 1250VAC (IEC) / 1300VAC (UL)

DIMENSIONS

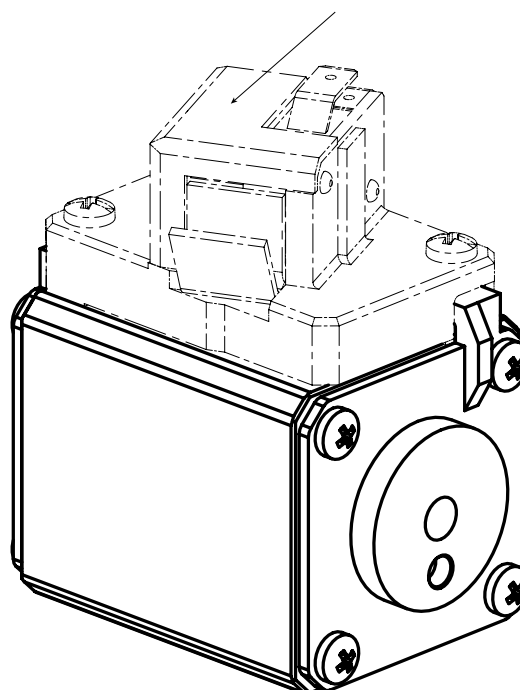
size 71 aR type TTI (109498_C)



Indicator lever
visible after
operation of fuse



Microswitch



Dimensions in mm

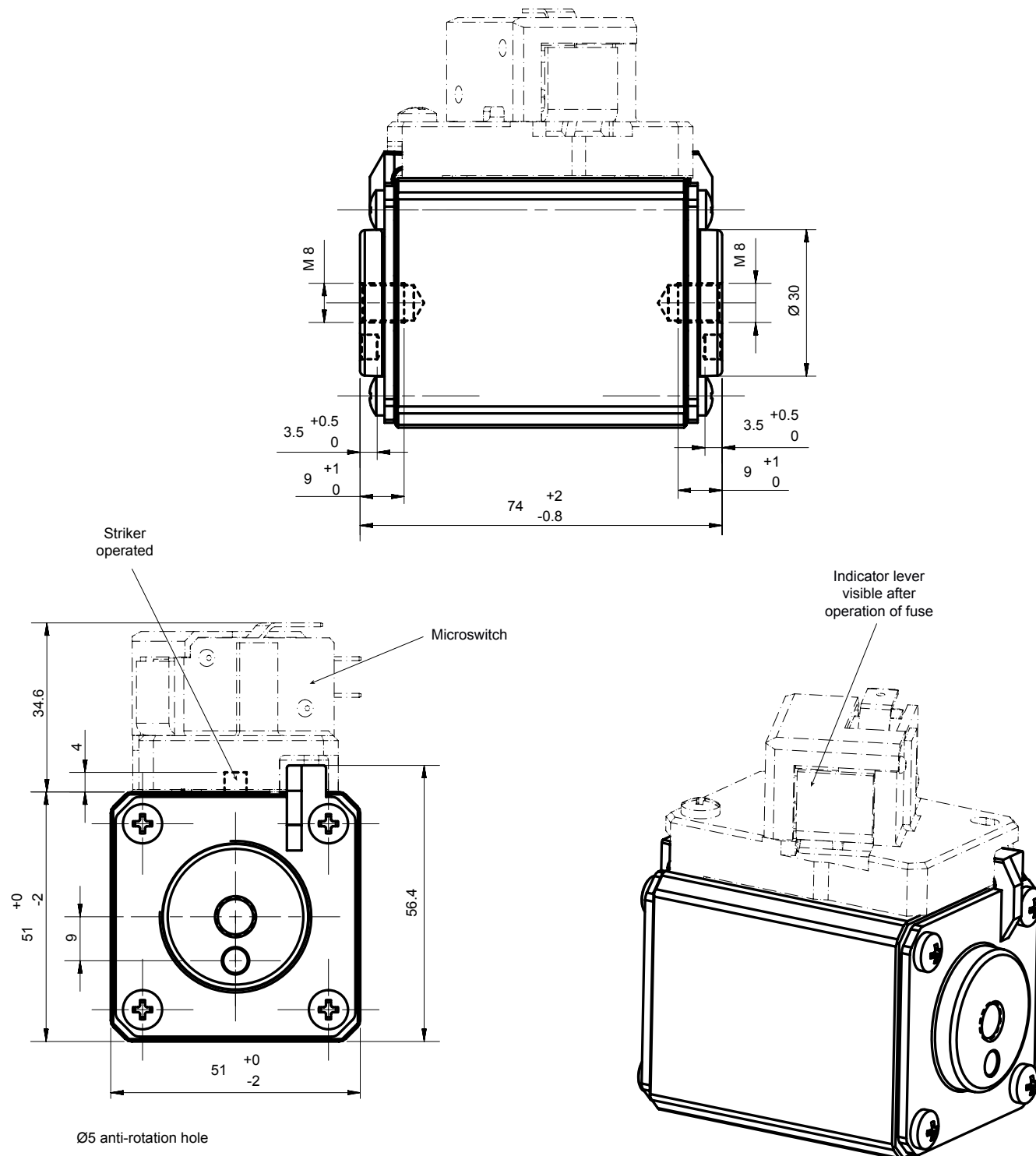
MERSEN reserves the right to change, update or correct, without notice, any information contained in this datasheet.

Protistor® size 71 aR

750 to 1250VAC (IEC) / 1300VAC (UL)

DIMENSIONS

size 71 aR type TTF (105699-C)



Dimensions in mm

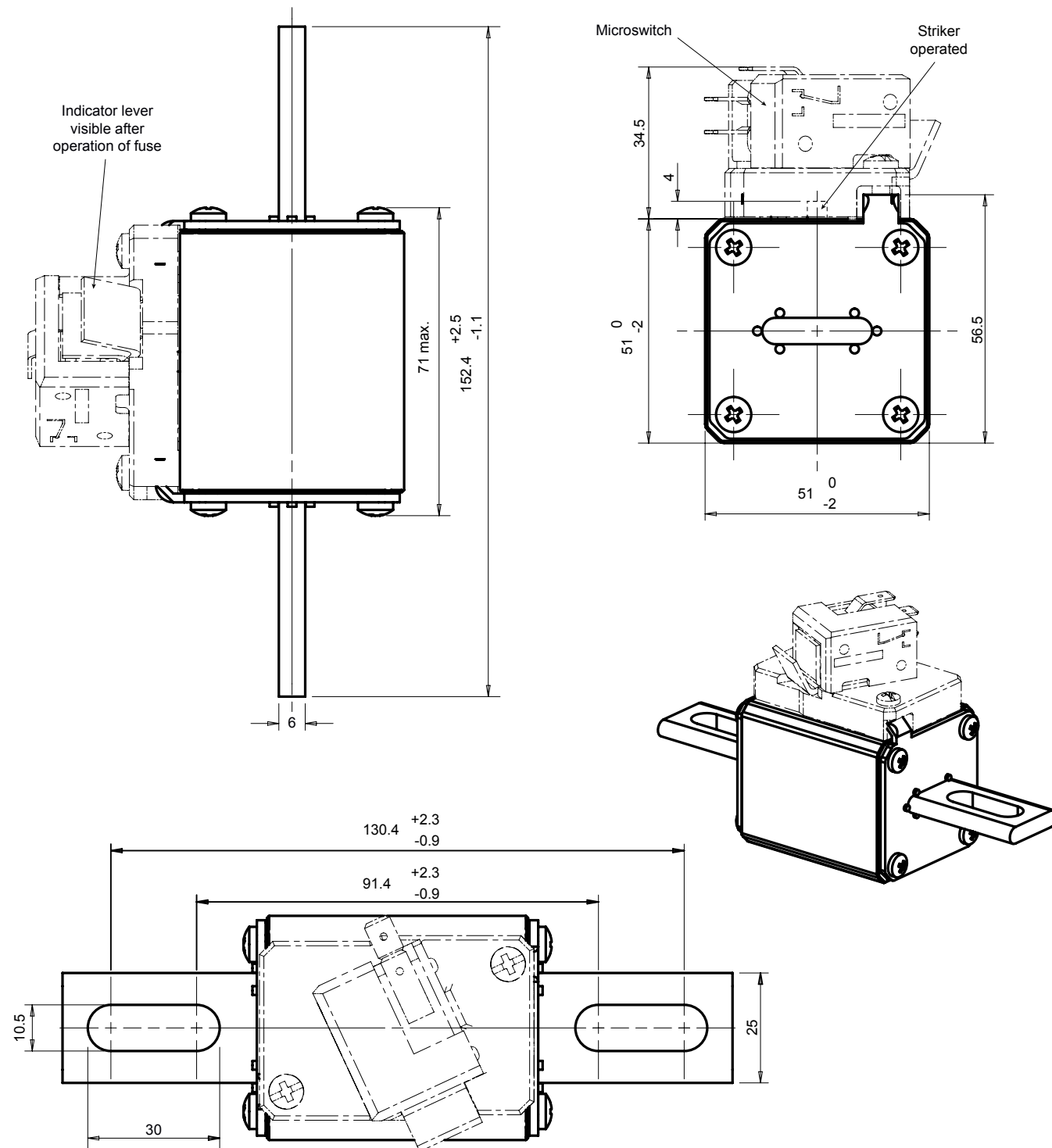
MERSEN reserves the right to change, update or correct, without notice, any information contained in this datasheet.

Protistor® size 71 aR

750 to 1250VAC (IEC) / 1300VAC (UL)

DIMENSIONS

size 71 aR type LLI (105922_C)



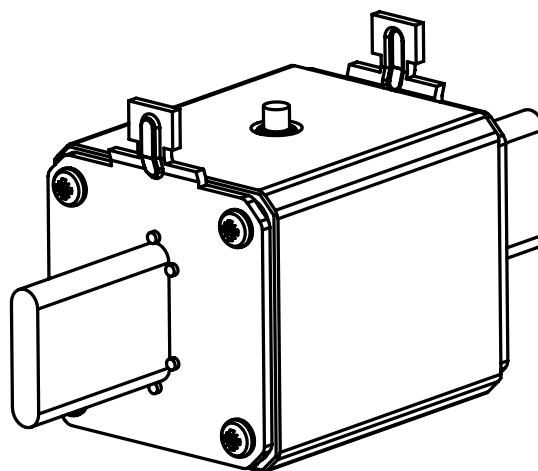
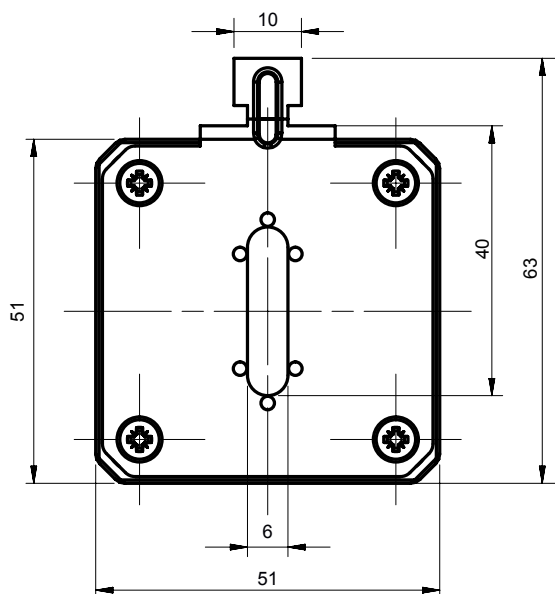
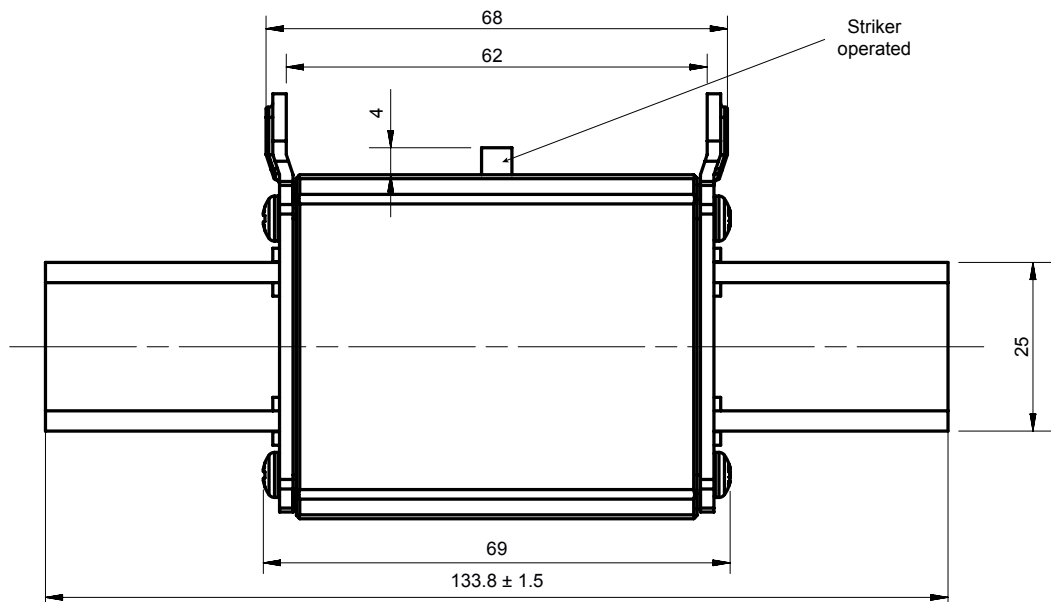
Dimensions in mm

Protistor® size 71 aR

750 to 1250VAC (IEC) / 1300VAC (UL)

DIMENSIONS

size 71 aR type PA (107130_C)



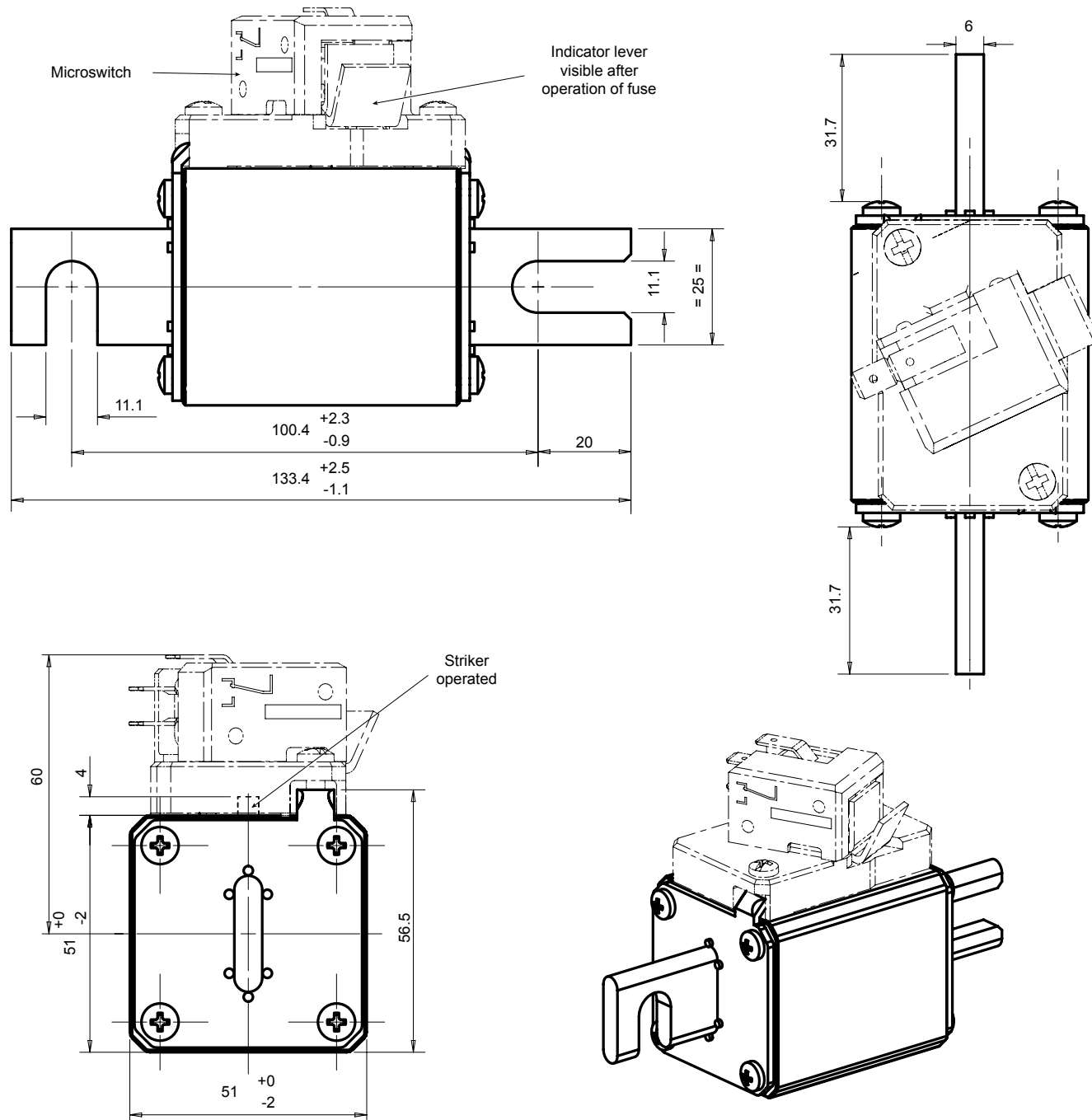
Dimensions in mm

Protistor® size 71 aR

750 to 1250VAC (IEC) / 1300VAC (UL)

DIMENSIONS

size 71 aR type DIN 110 (105712)



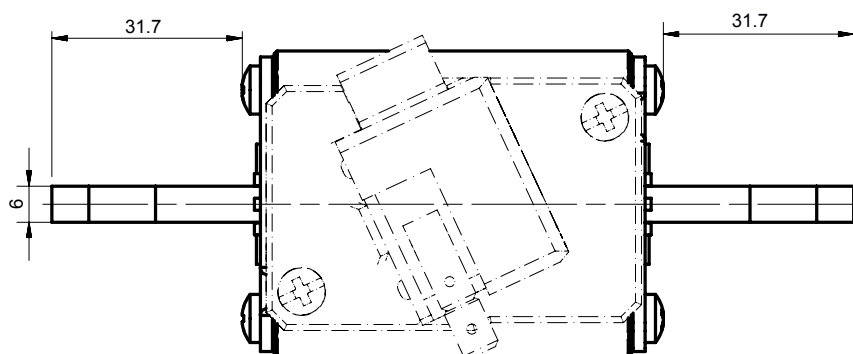
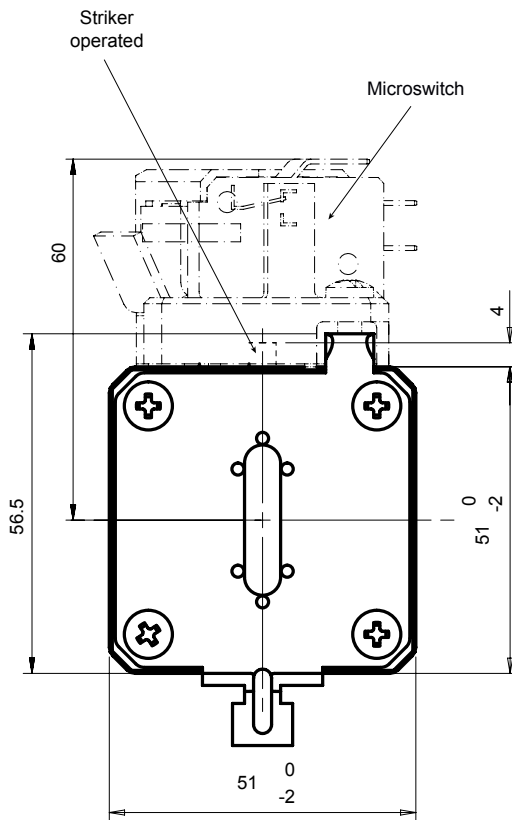
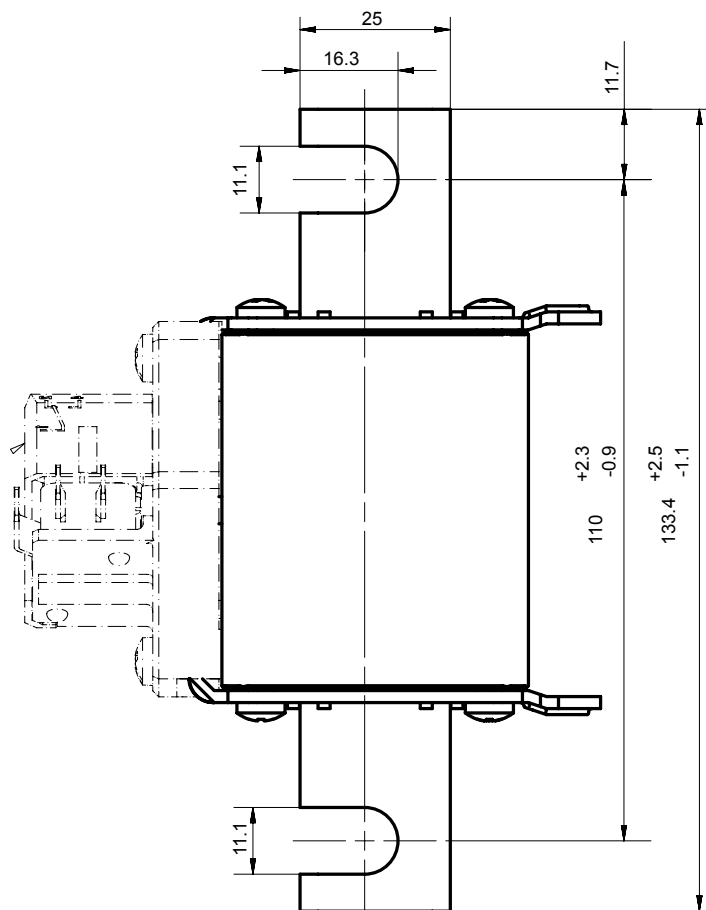
Dimensions in mm

Protistor® size 71 aR

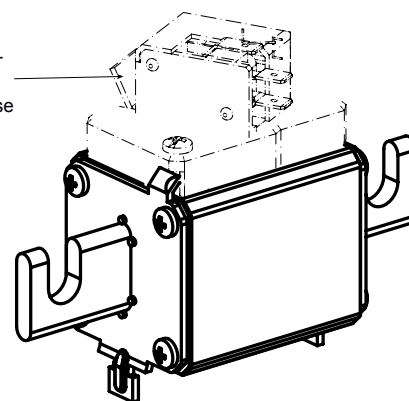
750 to 1250VAC (IEC) / 1300VAC (UL)

DIMENSIONS

size 71 aR type EF (105880_C)



Indicator lever visible after operation of fuse



Dimensions in mm

Protistor® size 72 aR

850 to 1250VAC (IEC) / 1300VAC (UL)

SEMICONDUCTOR PROTECTION FUSES

SQUARE BODY HIGH-SPEED FUSE-LINKS AC PROTECTION



These 1250/1300V Protistor® fuse-links provide maximum flexibility in equipment design and ultimate protection for today's power conversion equipment. These aR ultra-fast acting square body fuse-links are available in different body sizes, each size having multiple worldwide acceptable mounting styles.

The Protistor® have been engineered to provide state-of-the-art protection for semiconductors: diodes, thyristors and IGBT devices. Fuses are assembled with die-cut elements embedded in solidified sand, which helps control arcing characteristics for a lower I^2t and high interrupting rating level. All contact surfaces are silver plated and all hardware is non-magnetic.

All fuse-links can be equipped with a low voltage trip-indicator which can operate a field mountable microswitch.

TECHNICAL DATA OVERVIEW

Voltage Range AC	850 ... 1250 VAC
Ampere Range (A)	250 ... 1000 A
Speed/Characteristic	aR
I.R. AC (kA)	100 kA 120 kA
Product Size	72

FEATURES & BENEFITS

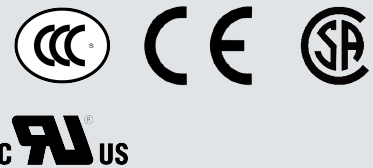
- Multiple body sizes and terminals or blades combination
- aR Class according to IEC 60269-4 and VDE 636-23
- Very low I^2t for improved semiconductor protection
- Ultra fast acting
- Current limiting
- Superior cycling capability

APPLICATIONS

- Protection of inverters, motor drives, UPS systems and similar 690V or less equipments.

STANDARDS

- IEC 60269-4 Compliance
- UL/CSA Recognized E76491
- CCC GB 13539.4



Protistor® size 72 aR

850 to 1250VAC (IEC) / 1300VAC (UL)

PRODUCT RANGE

Size 72 type TTI 3/8"-16 unified coarse threaded terminals

Catalog number	Reference number	Rated voltage AC (IEC)	Rated voltage AC (UL)	Rated current I _n	Pre-arcing I ² t	Clearing I ² t at Rated Voltage	Rated breaking capacity AC	Power dissipation at I _n	Weight	Package
A130UD72TTI280	N301036	1250 V	1300 V	280 A	10.3 kA ² s	85 kA ² s	100 kA	72 W	850 g	3
A130UD72TTI315	P301037	1250 V	1300 V	315 A	15.1 kA ² s	125 kA ² s	100 kA	76 W	850 g	3
A130UD72TTI350	Q301038	1250 V	1300 V	350 A	21 kA ² s	170 kA ² s	100 kA	77 W	850 g	3
A130UD72TTI400	R301039	1250 V	1300 V	400 A	32.8 kA ² s	270 kA ² s	100 kA	80 W	850 g	3
A130UD72TTI450	S301040	1250 V	1300 V	450 A	44.2 kA ² s	360 kA ² s	100 kA	87 W	850 g	3
A130UD72TTI500	T301041	1250 V	1300 V	500 A	57.1 kA ² s	465 kA ² s	100 kA	94 W	850 g	3
A130UD72TTI550	V301042	1250 V	1300 V	550 A	68 kA ² s	550 kA ² s	100 kA	110 W	850 g	3
A130UD72TTI630	W301043	1250 V	1300 V	630 A	106.3 kA ² s	860 kA ² s	100 kA	113 W	850 g	3
A120UD72TTI700	X301044	1100 V	1200 V	700 A	141.9 kA ² s	920 kA ² s	100 kA	140 W	850 g	3
A120UD72TTI800	Y301045	1100 V	1200 V	800 A	215.1 kA ² s	1400 kA ² s	100 kA	146 W	850 g	3



PC72UD13C630TF

Size 72 type TTF M10 threaded terminals

Catalog number	Reference number	Rated voltage AC (IEC)	Rated voltage AC (UL)	Rated current I _n	Pre-arcing I ² t	Clearing I ² t at Rated Voltage	Rated breaking capacity AC	Power dissipation at I _n	Weight	Package
PC72UD13C280TF	Y300493	1250 V	1300 V	280 A	10.3 kA ² s	85 kA ² s	100 kA	72 W	800 g	3
PC72UD13C315TF	Z300494	1250 V	1300 V	315 A	15.1 kA ² s	125 kA ² s	100 kA	76 W	800 g	3
PC72UD13C350TF	A300495	1250 V	1300 V	350 A	21 kA ² s	170 kA ² s	100 kA	77 W	0.7333 kg	3
PC72UD13C400TF	B300496	1250 V	1300 V	400 A	32.8 kA ² s	270 kA ² s	100 kA	80 W	800 g	3
PC72UD13C450TF	C300497	1250 V	1300 V	450 A	44.2 kA ² s	360 kA ² s	100 kA	89 W	800 g	3
PC72UD13C500TF	D300498	1250 V	1300 V	500 A	57.1 kA ² s	465 kA ² s	100 kA	98 W	800 g	3
PC72UD13C550TF	E300499	1250 V	1300 V	550 A	68 kA ² s	550 kA ² s	100 kA	110 W	800 g	3
PC72UD13C630TF	F300500	1250 V	1300 V	630 A	106.3 kA ² s	860 kA ² s	100 kA	113 W	800 g	3
PC72UD11C700TF	G300501	1100 V	1200 V	700 A	141.9 kA ² s	920 kA ² s	100 kA	140 W	800 g	3
PC72UD11C800TF	H300502	1100 V	1200 V	800 A	215.1 kA ² s	1400 kA ² s	100 kA	146 W	800 g	3
PC72UD10C900TF	G300869	1000 V	1100 V	900 A	312 kA ² s	1800 kA ² s	120 kA	152 W	800 g	3
PC72UD85V1000TF	T301294	850 V	900 V	1000 A	439 kA ² s	2150 kA ² s	100 kA	136 W	800 g	3

Size 72 type long slotted blades

Catalog number	Reference number	Rated voltage AC (IEC)	Rated voltage AC (UL)	Rated current I _n	Pre-arcing I ² t	Clearing I ² t at Rated Voltage	Rated breaking capacity AC	Power dissipation at I _n	Weight	Package
A130UD72LI280	Q300670	1250 V	1300 V	280 A	10.3 kA ² s	85 kA ² s	100 kA	72 W	860 g	3
A130UD72LI315	R300671	1250 V	1300 V	315 A	15.1 kA ² s	125 kA ² s	100 kA	76 W	0.7233 kg	3
A130UD72LI350	S300672	1250 V	1300 V	350 A	21 kA ² s	170 kA ² s	100 kA	77 W	860 g	3
A130UD72LI400	T300673	1250 V	1300 V	400 A	32.8 kA ² s	270 kA ² s	100 kA	80 W	0.7233 kg	3
A130UD72LI450	V300674	1250 V	1300 V	450 A	44.2 kA ² s	360 kA ² s	100 kA	89 W	0.7233 kg	3
A130UD72LI500	W300675	1250 V	1300 V	500 A	57.1 kA ² s	465 kA ² s	100 kA	98 W	0.7233 kg	3
A130UD72LI550	X300676	1250 V	1300 V	550 A	68 kA ² s	550 kA ² s	100 kA	120 W	0.7233 kg	3
A120UD72LI630	Y300677	1100 V	1200 V	630 A	106.3 kA ² s	690 kA ² s	100 kA	125 W	0.7233 kg	3
A110UD72LI700	Z300678	1000 V	1100 V	700 A	141.9 kA ² s	815 kA ² s	120 kA	140 W	0.7233 kg	3
A110UD72LI800	A300679	1000 V	1100 V	800 A	215.1 kA ² s	1240 kA ² s	120 kA	146 W	0.7233 kg	3

MERSEN reserves the right to change, update or correct, without notice, any information contained in this datasheet.

Protistor® size 72 aR

850 to 1250VAC (IEC) / 1300VAC (UL)

PRODUCT RANGE

Size 72 type NH style blade contacts

Catalog number	Reference number	Rated voltage AC (IEC)	Rated voltage AC (UL)	Rated current I _n	Pre-arcing I ² t	Clearing I ² t at Rated Voltage	Rated breaking capacity AC	Power dissipation at In	Weight	Package
PC72UD13C315PA	H301836	1250 V	1300 V	315 A	15.1 kA ² s	125 kA ² s	100 kA	76 W	0.7766 kg	3
PC72UD13C400PA	B300841	1250 V	1300 V	400 A	32.8 kA ² s	270 kA ² s	100 kA	80 W	0.7766 kg	3
PC72UD13C450PA	C300842	1250 V	1300 V	450 A	44.2 kA ² s	360 kA ² s	100 kA	89 W	0.7766 kg	3
PC72UD13C500PA	P302716	1250 V	1300 V	500 A	57.1 kA ² s	465 kA ² s	100 kA	98 W	780 g	3
PC72UD11C630PA	N301220	1100 V	1200 V	630 A	106.3 kA ² s	690 kA ² s	100 kA	125 W	0.7766 kg	3
PC72UD10C800PA	M302047	1000 V	1100 V	800 A	215.1 kA ² s	1240 kA ² s	120 kA	146 W	0.7766 kg	3

Size 72 for bolted connections

Catalog number	Reference number	Rated voltage AC (IEC)	Rated voltage AC (UL)	Rated current I _n	Pre-arcing I ² t	Clearing I ² t at Rated Voltage	Rated breaking capacity AC	Power dissipation at In	Weight	Package
PC72UD13C280EF	J300618	1250 V	1300 V	280 A	10.3 kA ² s	85 kA ² s	100 kA	72 W	0.758 kg	3
PC72UD13C315EF	K300619	1250 V	1300 V	315 A	15.1 kA ² s	125 kA ² s	100 kA	76 W	0.758 kg	3
PC72UD13C350EF	L300620	1250 V	1300 V	350 A	21 kA ² s	170 kA ² s	100 kA	77 W	0.758 kg	3
PC72UD13C400EF	M300621	1250 V	1300 V	400 A	32.8 kA ² s	270 kA ² s	100 kA	80 W	0.758 kg	3
PC72UD13C450EF	N300622	1250 V	1300 V	450 A	44.2 kA ² s	360 kA ² s	100 kA	89 W	0.758 kg	3
PC72UD13C500EF	P300623	1250 V	1300 V	500 A	57.1 kA ² s	465 kA ² s	100 kA	98 W	0.758 kg	3
PC72UD13C550EF	Q300624	1250 V	1300 V	550 A	68 kA ² s	550 kA ² s	100 kA	120 W	800 g	3
PC72UD11C630EF	R300625	1100 V	1200 V	630 A	106.3 kA ² s	690 kA ² s	100 kA	125 W	0.758 kg	3
PC72UD10C700EF	S300626	1000 V	1100 V	700 A	141.9 kA ² s	815 kA ² s	100 kA	140 W	0.758 kg	3
PC72UD10C800EF	T300627	1000 V	1100 V	800 A	215.1 kA ² s	1240 kA ² s	120 kA	146 W	0.758 kg	3



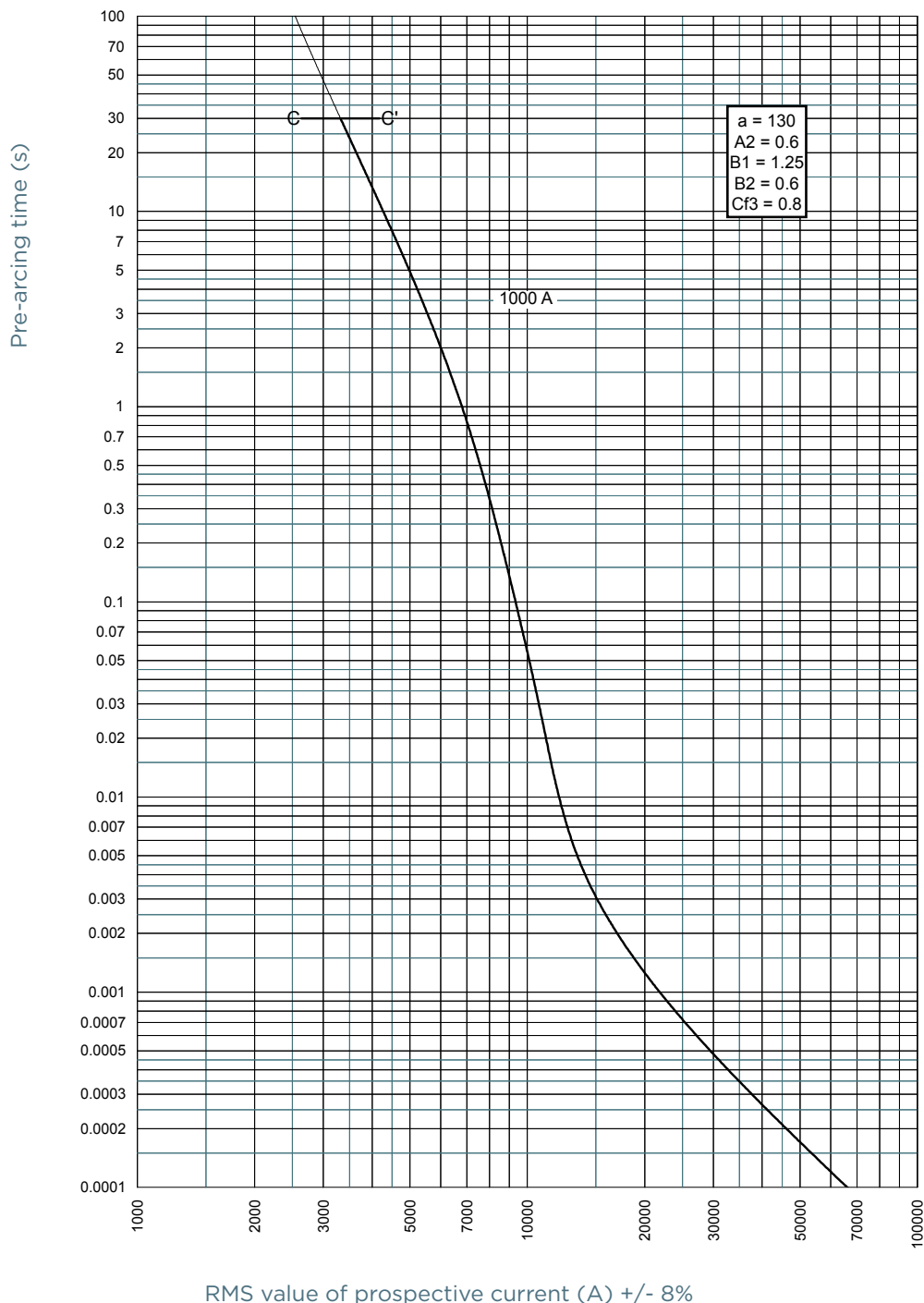
PC72UD13C550D1A

Size 72 type DIN110

Catalog number	Reference number	Rated voltage AC (IEC)	Rated voltage AC (UL)	Rated current I _n	Pre-arcing I ² t	Clearing I ² t at Rated Voltage	Rated breaking capacity AC	Power dissipation at In	Weight	Package
PC72UD13C280D1A	P300554	1250 V	1300 V	280 A	10.3 kA ² s	85 kA ² s	100 kA	72 W	0.7033 kg	3
PC72UD13C315D1A	Q300555	1250 V	1300 V	315 A	15.1 kA ² s	125 kA ² s	100 kA	76 W	0.7033 kg	3
PC72UD13C350D1A	R300556	1250 V	1300 V	350 A	21 kA ² s	170 kA ² s	100 kA	77 W	0.7033 kg	3
PC72UD13C400D1A	S300557	1250 V	1300 V	400 A	32.8 kA ² s	270 kA ² s	100 kA	80 W	0.7033 kg	3
PC72UD13C450D1A	T300558	1250 V	1300 V	450 A	44.2 kA ² s	360 kA ² s	100 kA	89 W	0.7033 kg	3
PC72UD13C500D1A	V300559	1250 V	1300 V	500 A	57.1 kA ² s	465 kA ² s	100 kA	98 W	0.7033 kg	3
PC72UD13C550D1A	W300560	1250 V	1300 V	550 A	68 kA ² s	550 kA ² s	100 kA	120 W	0.7033 kg	3
PC72UD11C630D1A	X300561	1100 V	1200 V	630 A	106.3 kA ² s	690 kA ² s	100 kA	125 W	0.7033 kg	3
PC72UD10C700D1A	Y300562	1000 V	1100 V	700 A	141.9 kA ² s	815 kA ² s	100 kA	140 W	0.7033 kg	3
PC72UD10C800D1A	Z300563	1000 V	1100 V	800 A	215.1 kA ² s	1240 kA ² s	120 kA	146 W	0.7033 kg	3

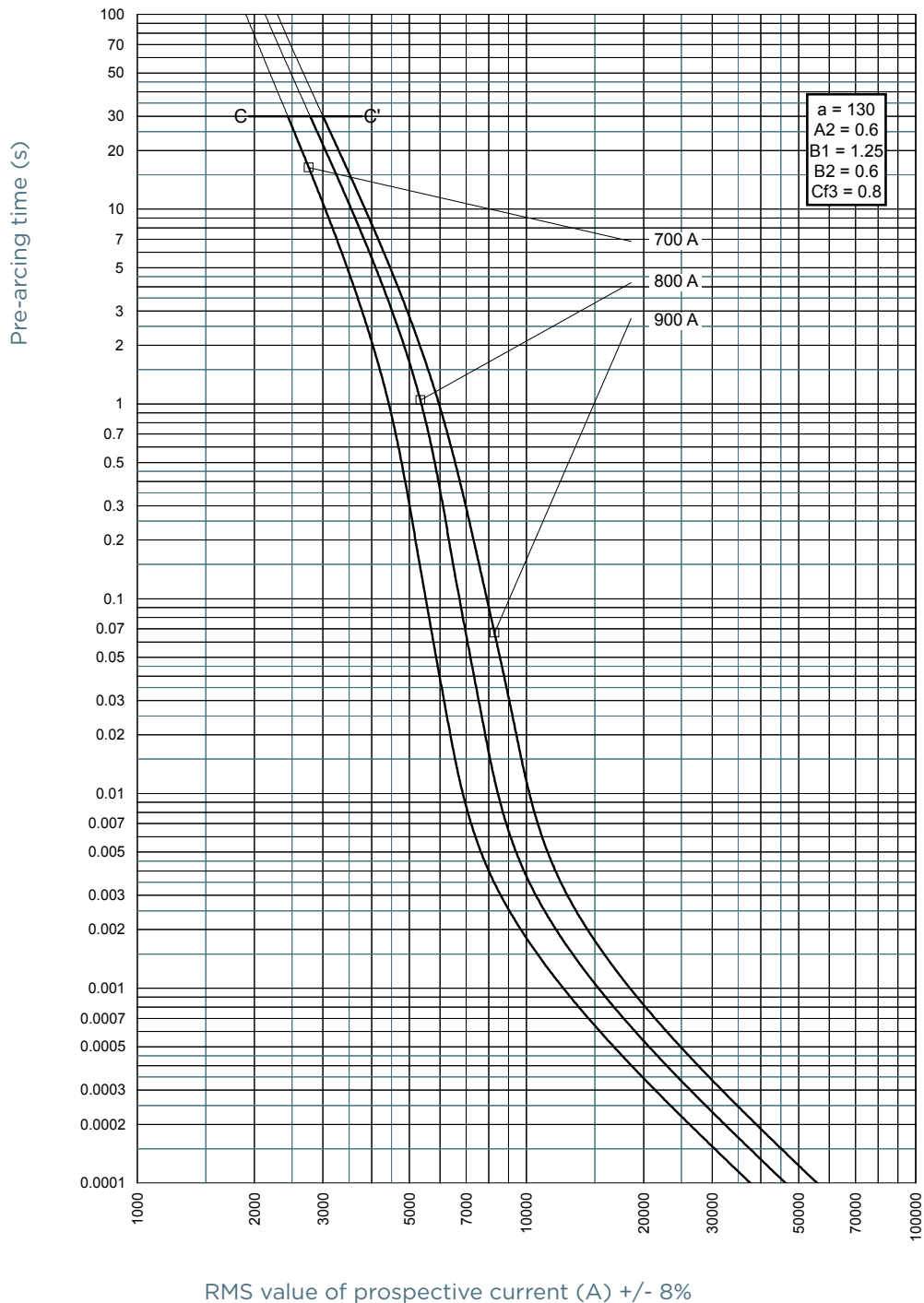
TIME CURRENT CHARACTERISTIC CURVES

Size 72 aR 850V



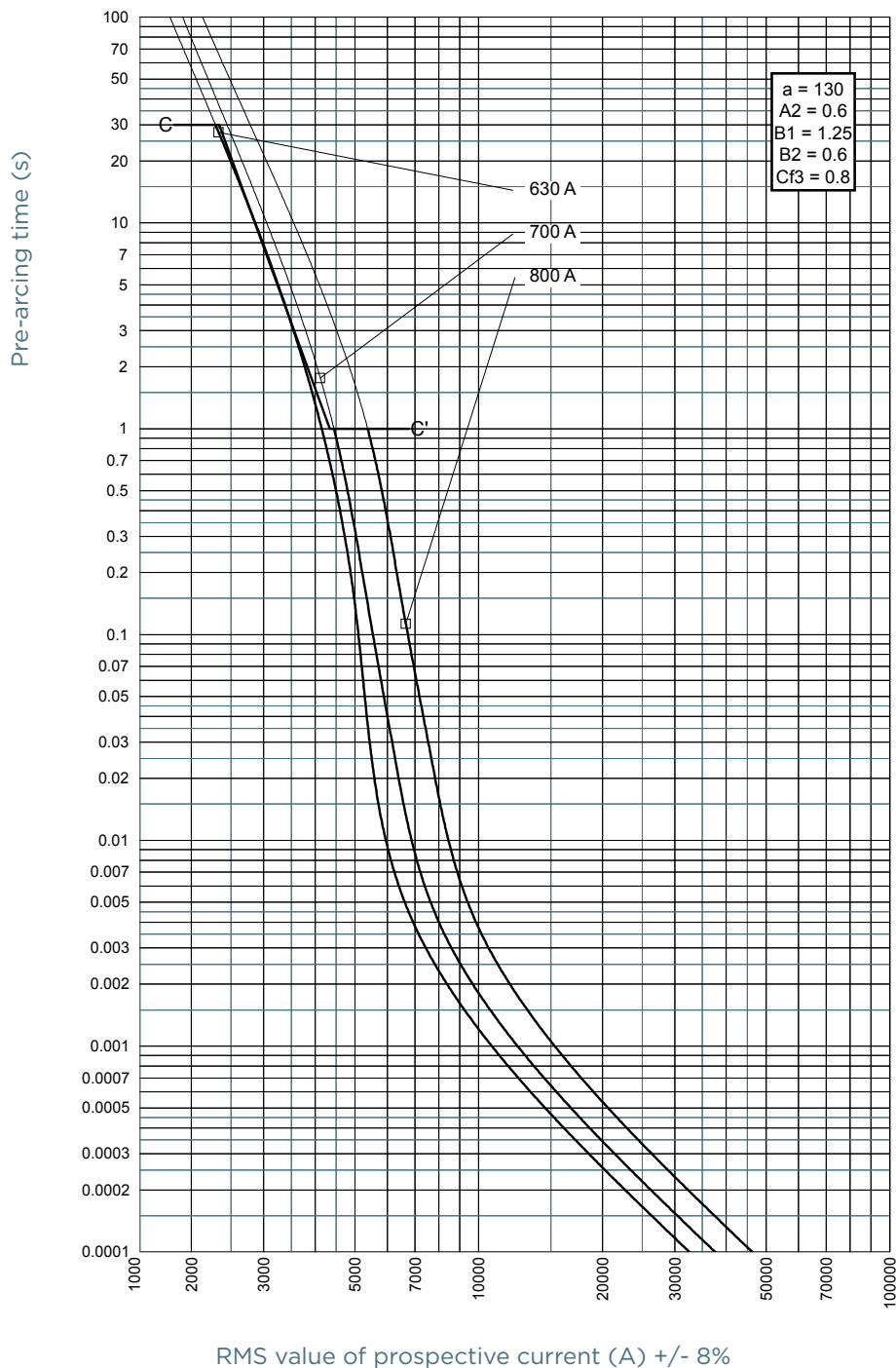
TIME CURRENT CHARACTERISTIC CURVES

Size 72 aR 1000V



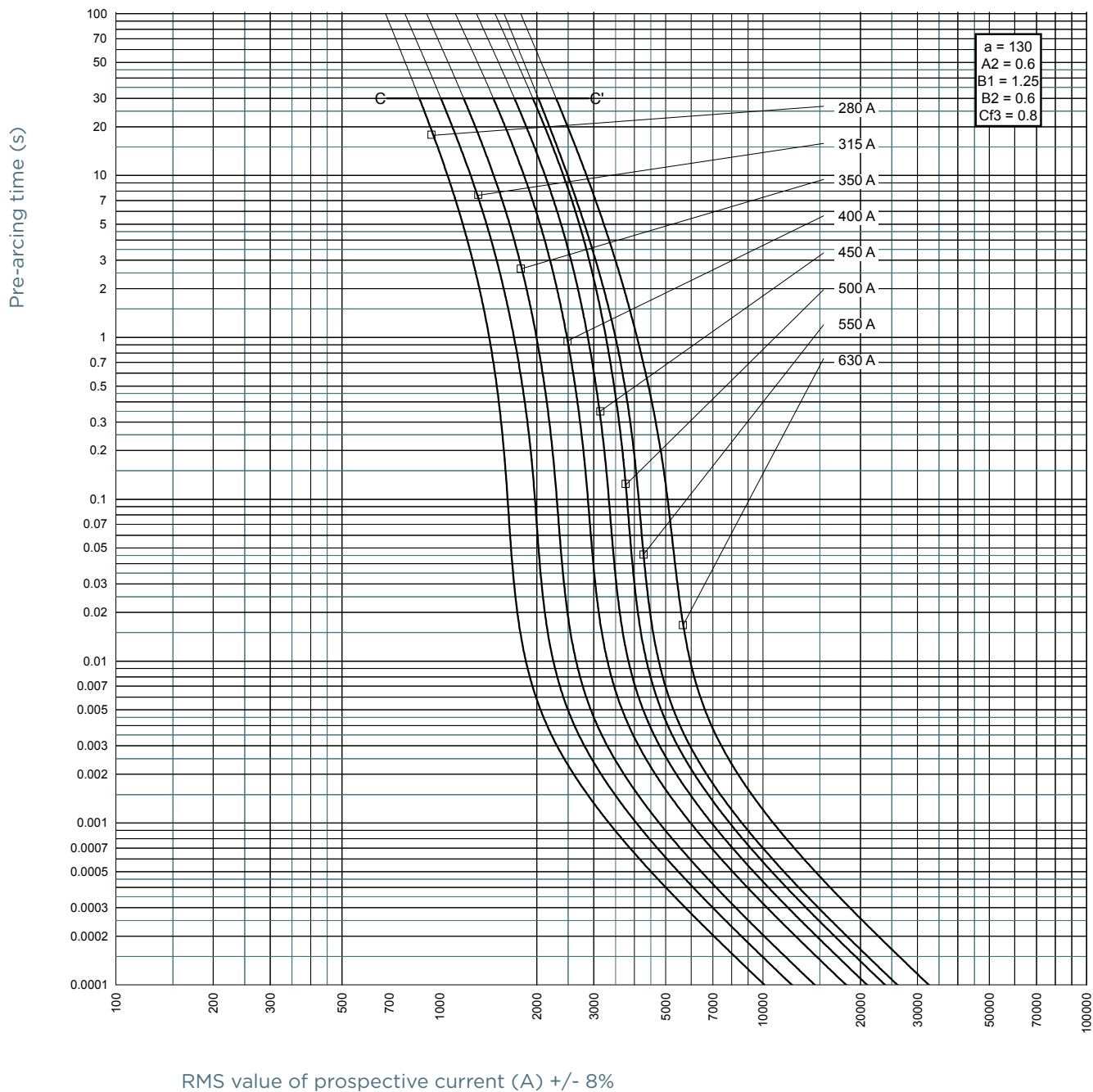
TIME CURRENT CHARACTERISTIC CURVES

Size 72 aR 1100V



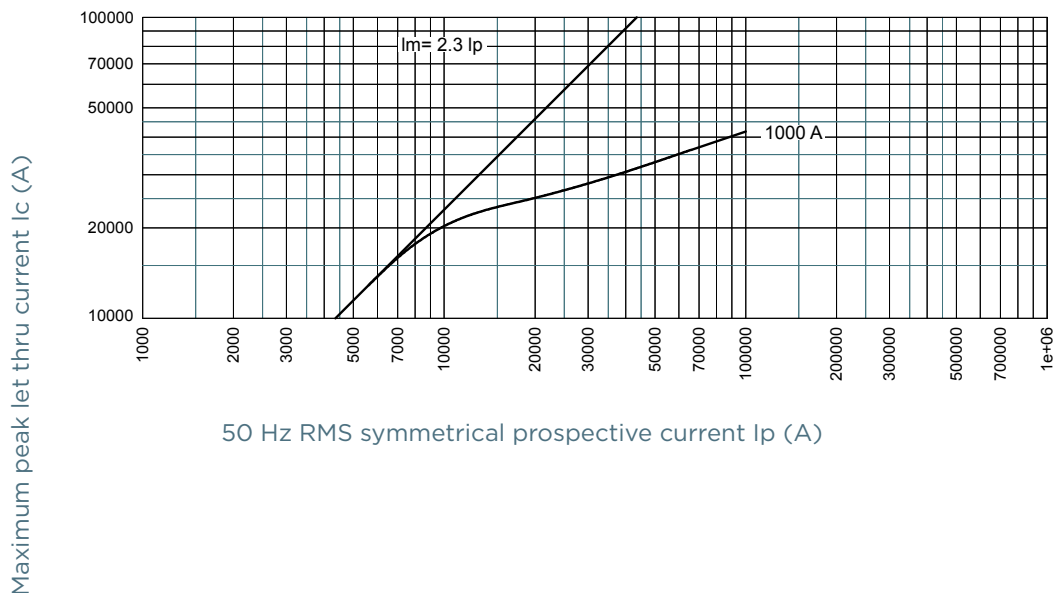
TIME CURRENT CHARACTERISTIC CURVES

Size 72 aR 1250V

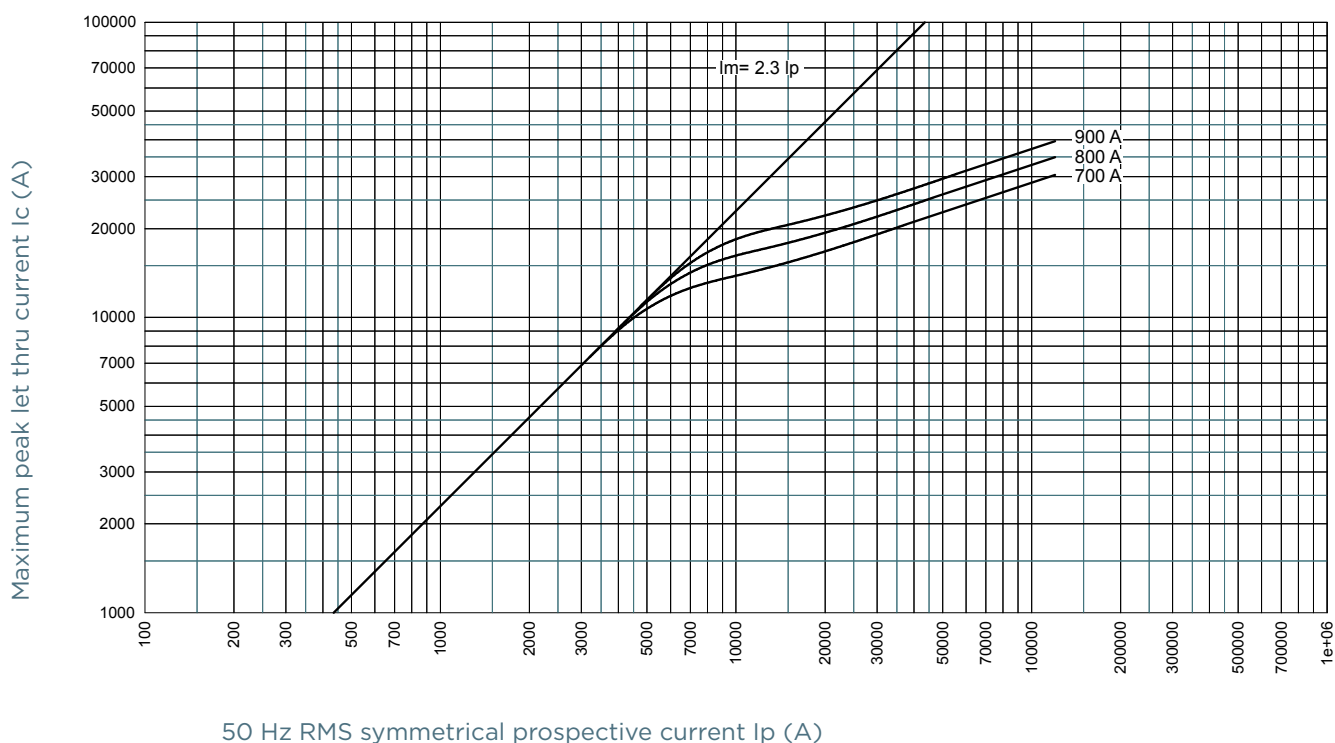


CUT-OFF CURRENT CHARACTERISTIC

Size 72 aR 850V

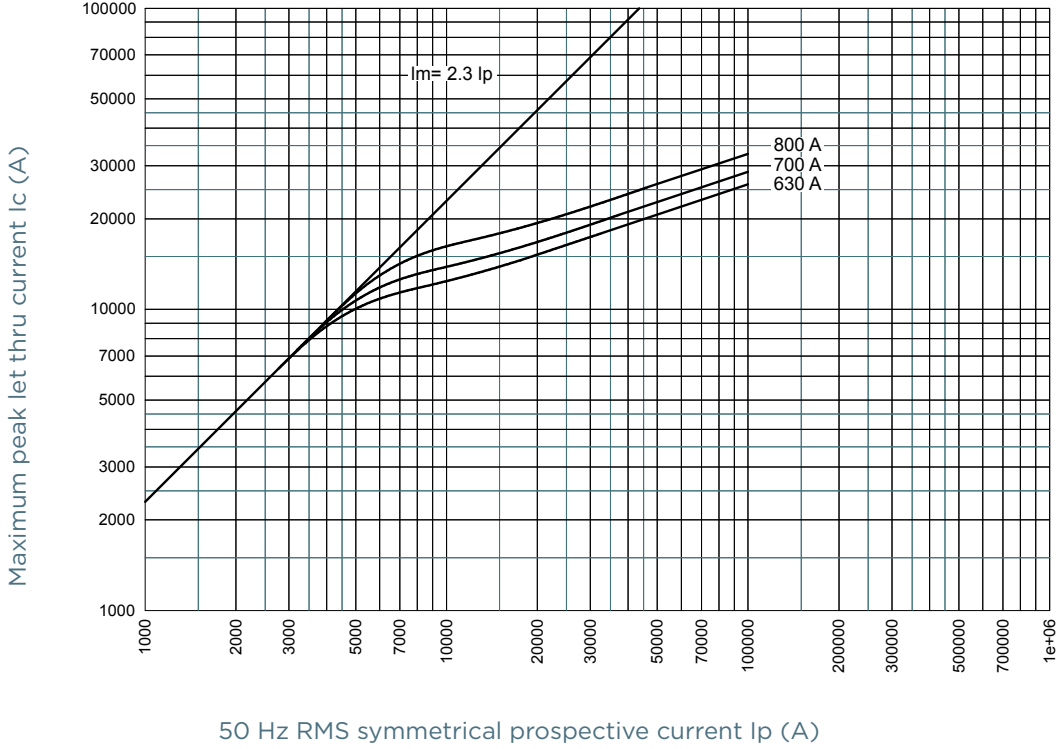


Size 72 aR 1000V

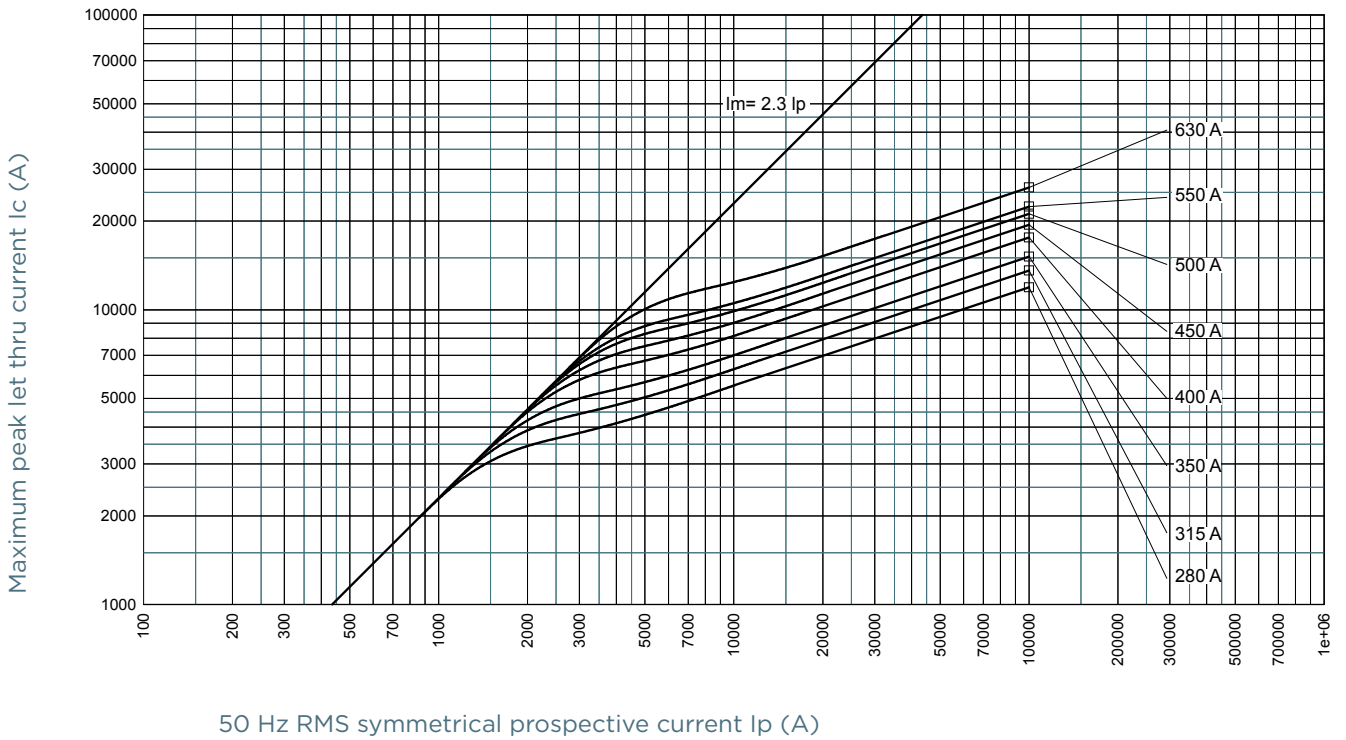


CUT-OFF CURRENT CHARACTERISTIC

Size 72 aR 1100V



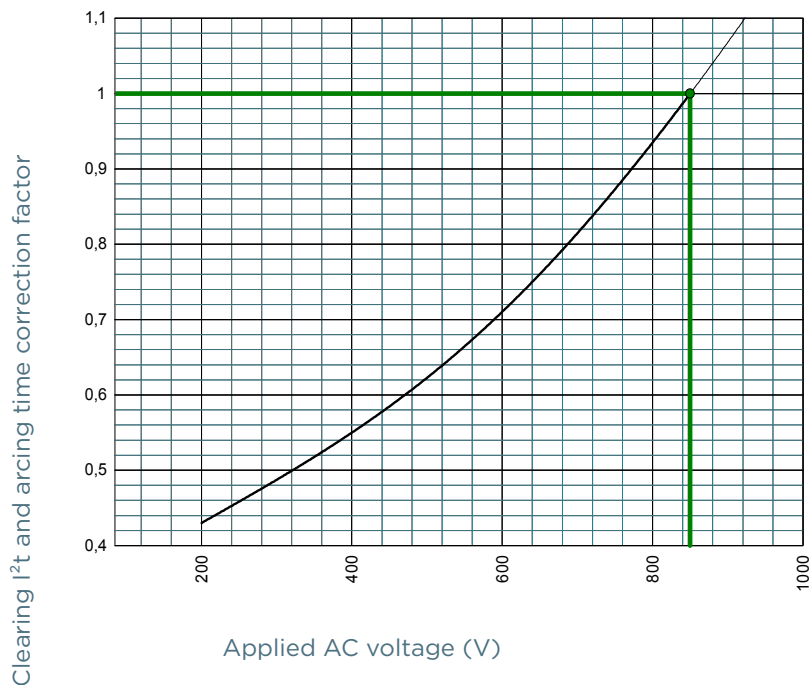
Size 72 aR 1250V



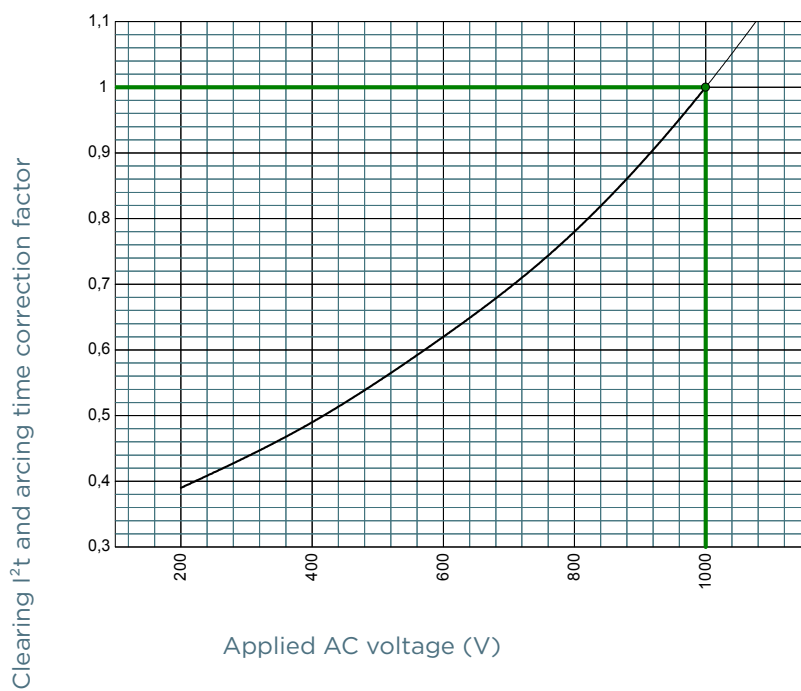
MERSEN reserves the right to change, update or correct, without notice, any information contained in this datasheet.

I²T MULTIPLIER COEFFICIENT

Size 72 aR 850V

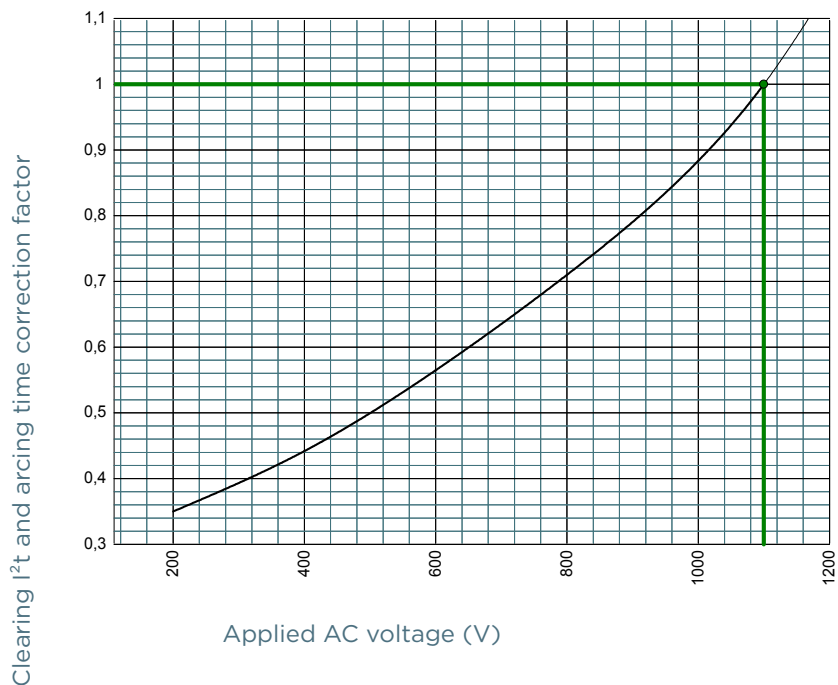


Size 72 aR 1000V

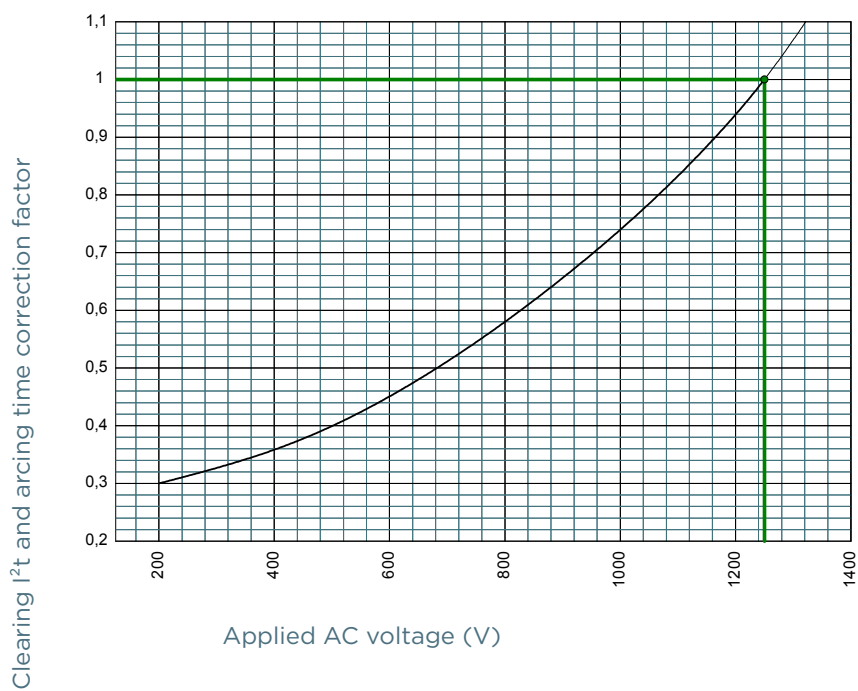


I²T MULTIPLIER COEFFICIENT

Size 72 aR 1100V

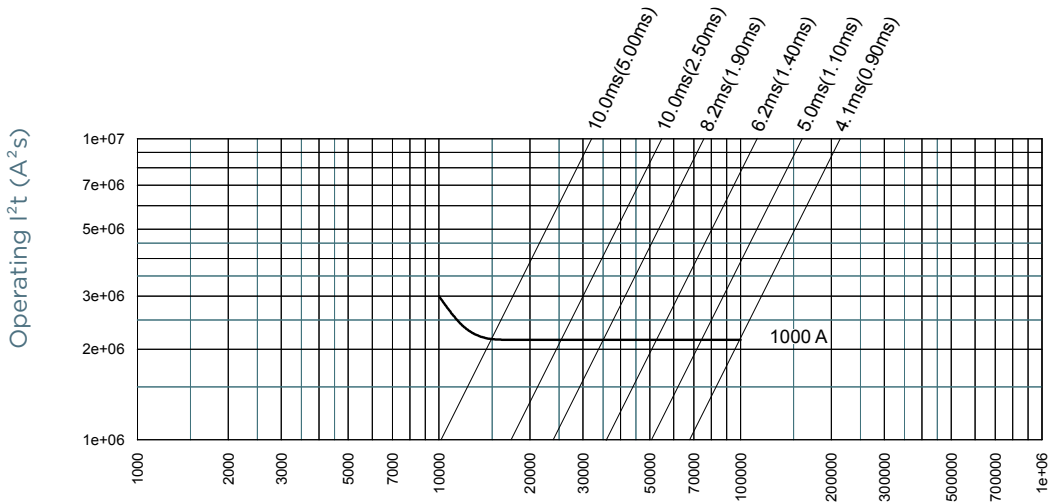


Size 72 aR 1250V



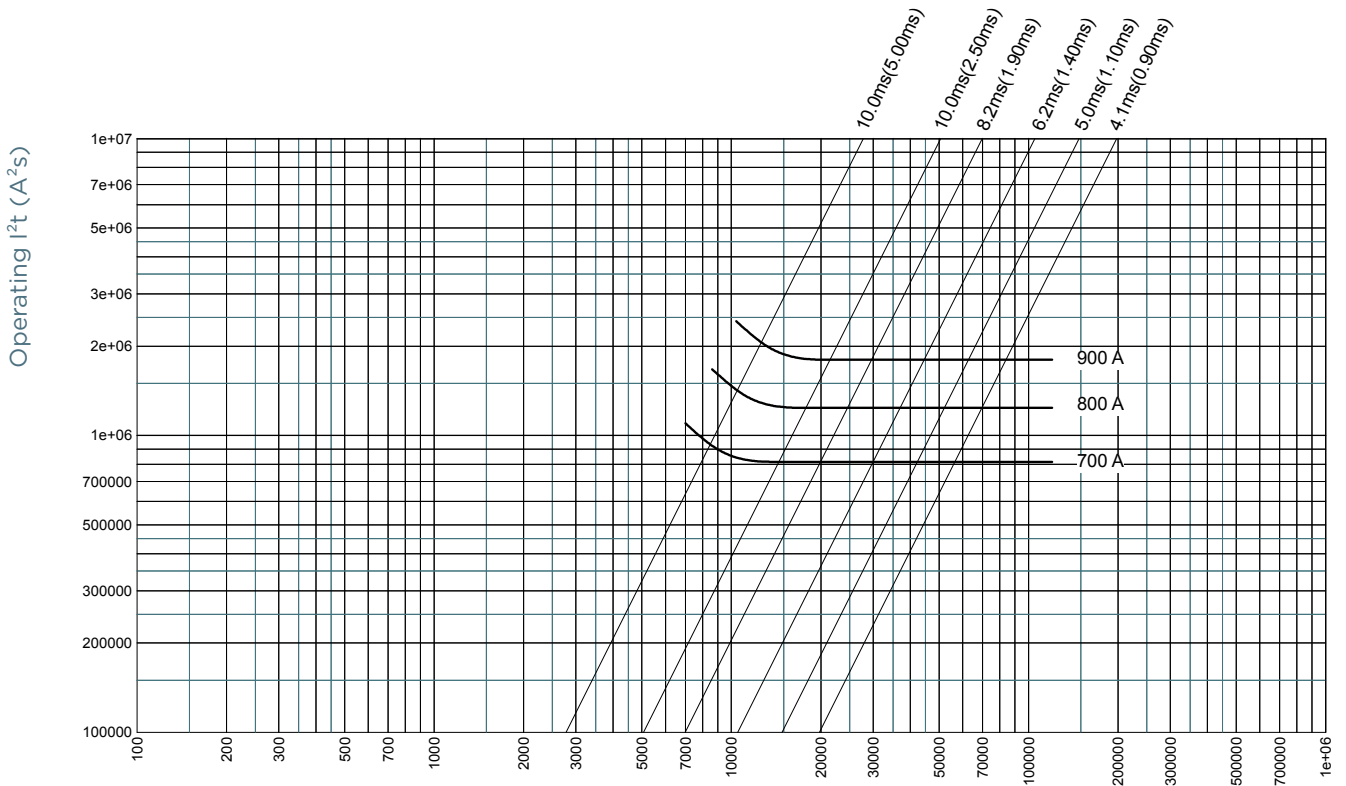
CHARACTERISTICS TOTAL I²T CURVE

Size 72 aR 850V



50Hz RMS symmetrical prospective current (Ip)(A)

Size 72 aR 1000V

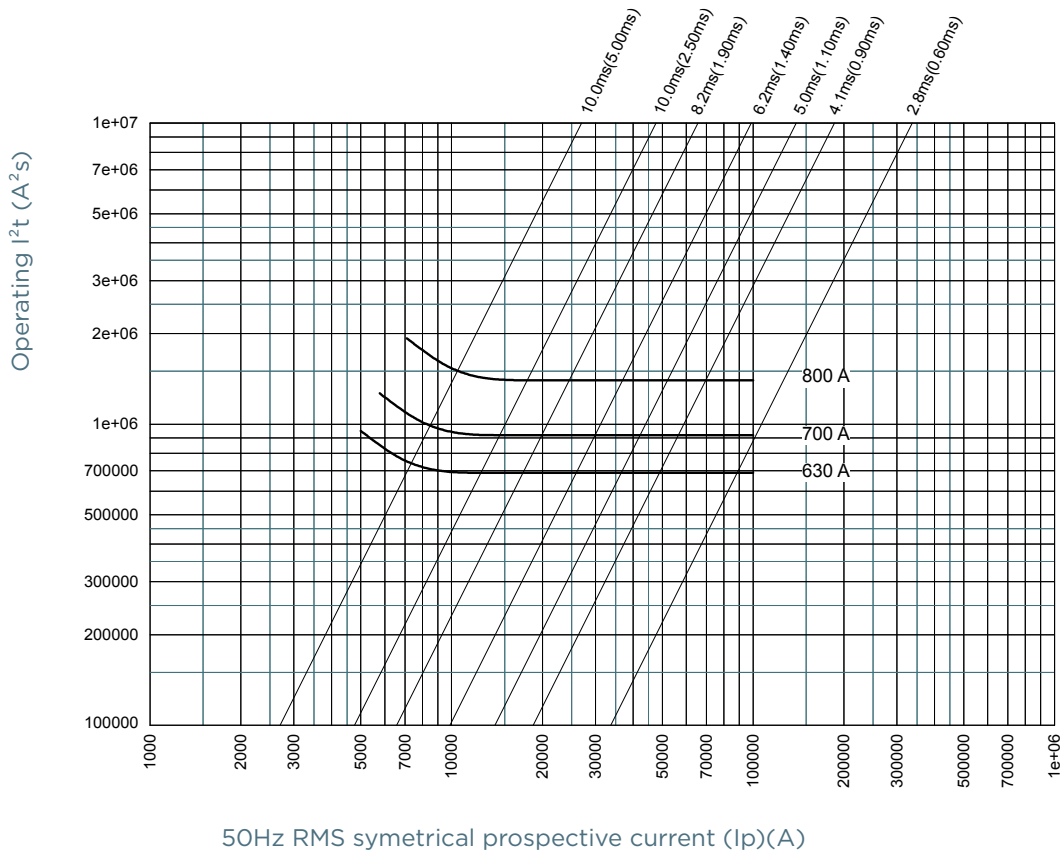


50Hz RMS symmetrical prospective current (Ip)(A)

MERSEN reserves the right to change, update or correct, without notice, any information contained in this datasheet.

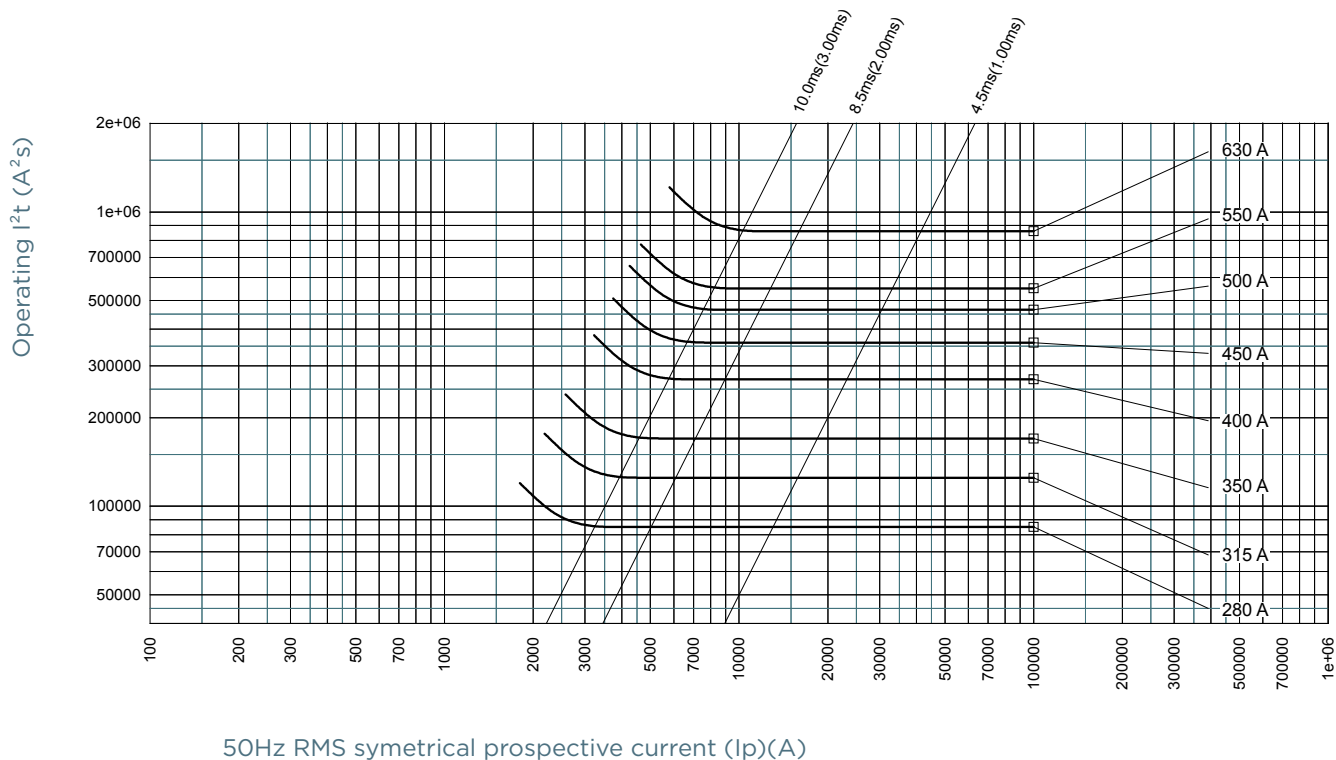
CHARACTERISTICS TOTAL I²T CURVE

Size 72 aR 1100V



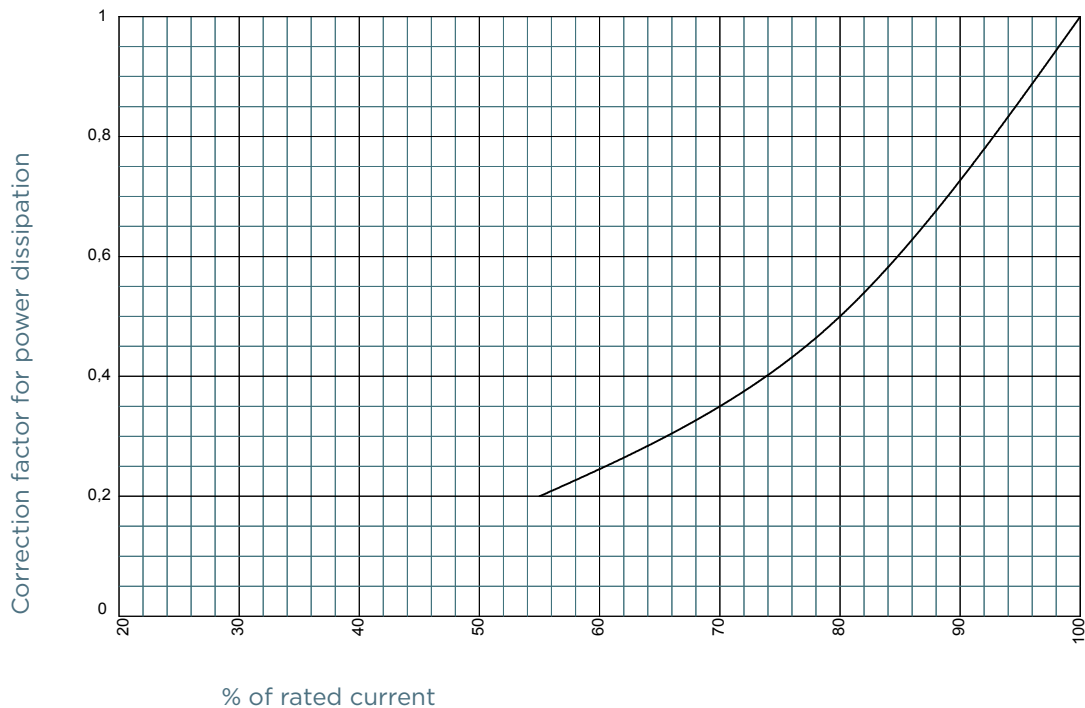
CHARACTERISTICS TOTAL I²T CURVE

Size 72 aR 1250V

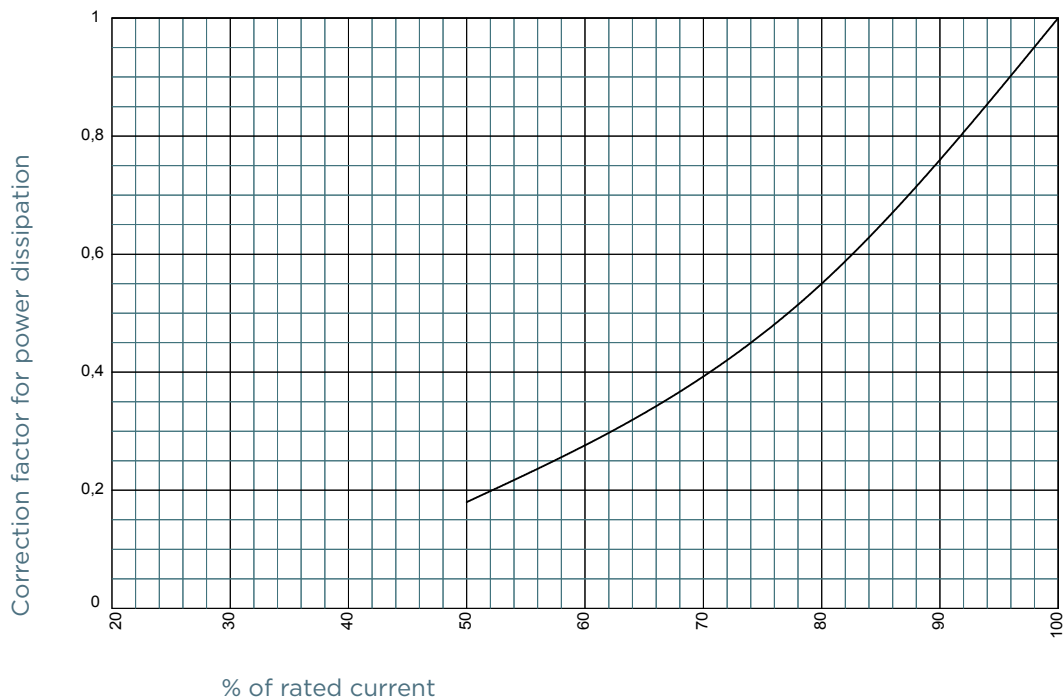


POWER DISSIPATION

Size 72 aR 850V - 1000V - 1100V



Size 72 aR 1250V

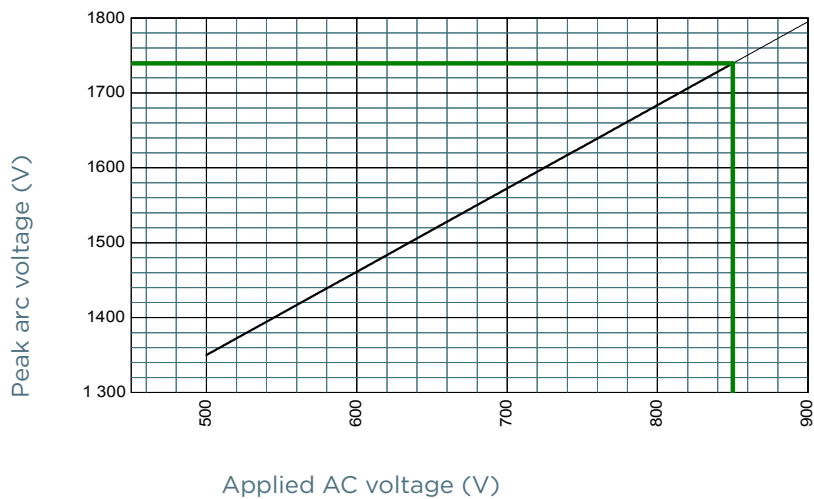


Protistor® size 72 aR

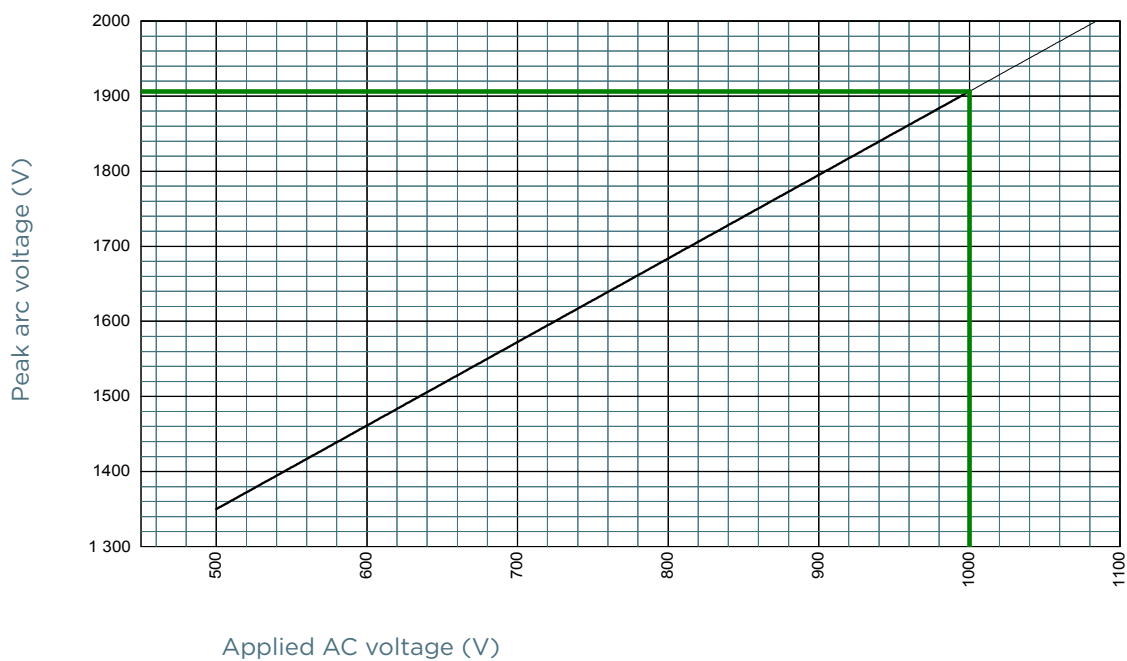
850 to 1250VAC (IEC) / 1300VAC (UL)

PEAK ARC VOLTAGE

Size 72 aR 850V



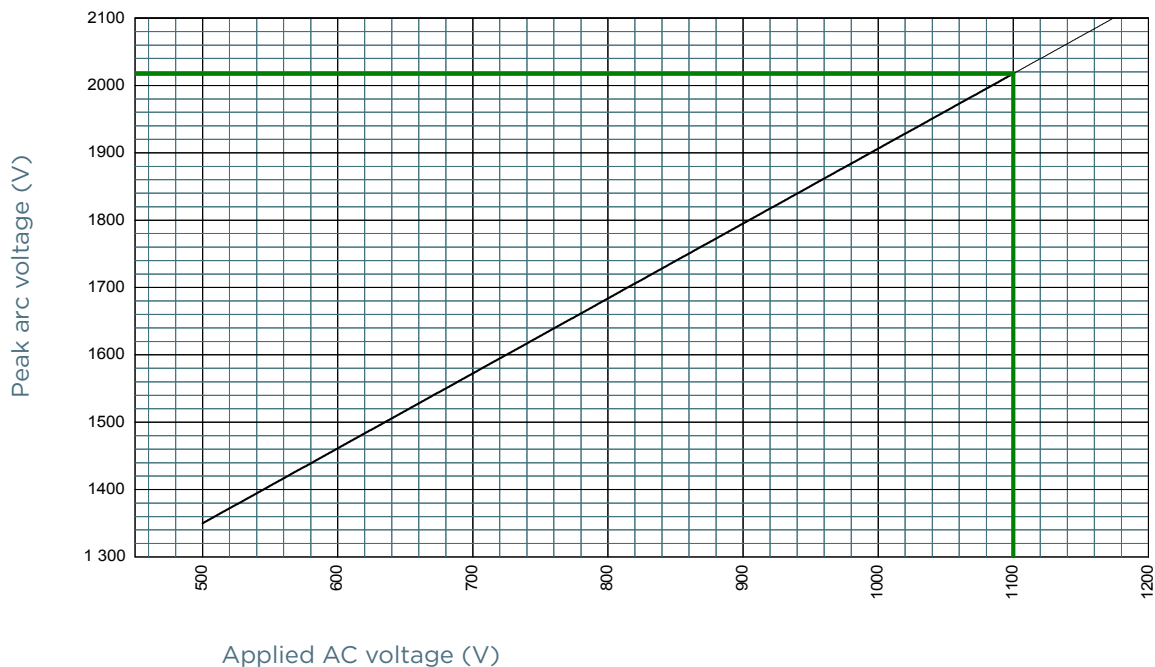
Size 72 aR 1000V



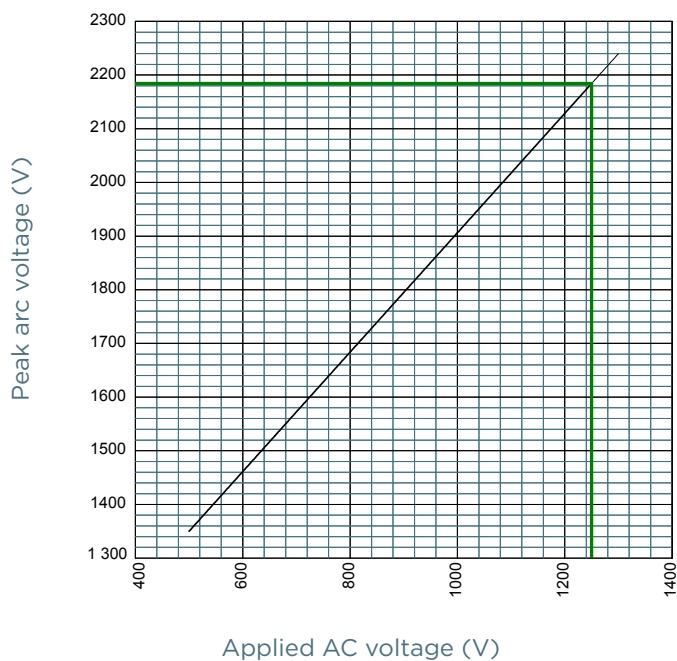
MERSEN reserves the right to change, update or correct, without notice, any information contained in this datasheet.

PEAK ARC VOLTAGE

Size 72 aR 1100V



Size 72 aR 1250V

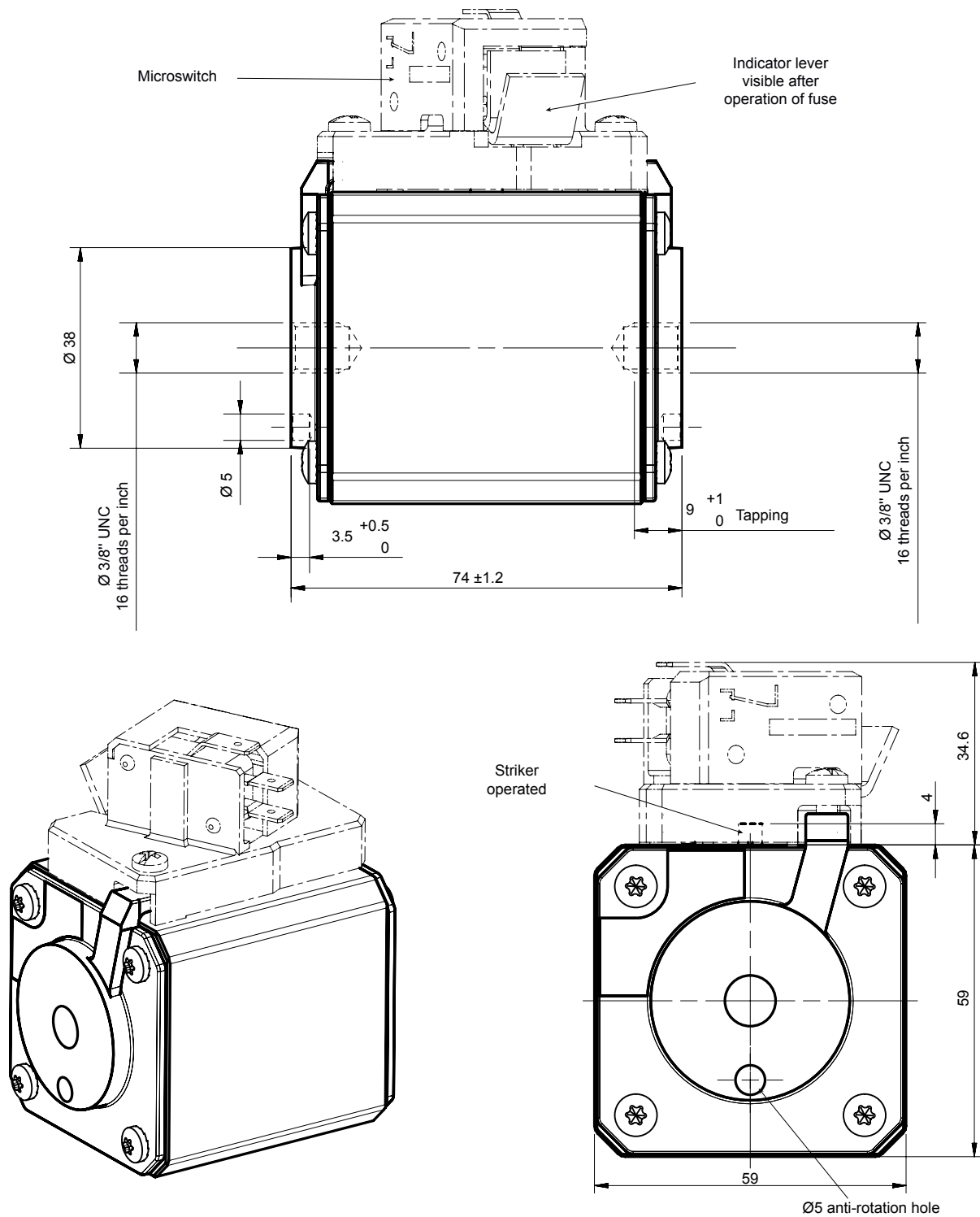


Protistor® size 72 aR

850 to 1250VAC (IEC) / 1300VAC (UL)

DIMENSIONS

Size 72 aR type TTI (109499)



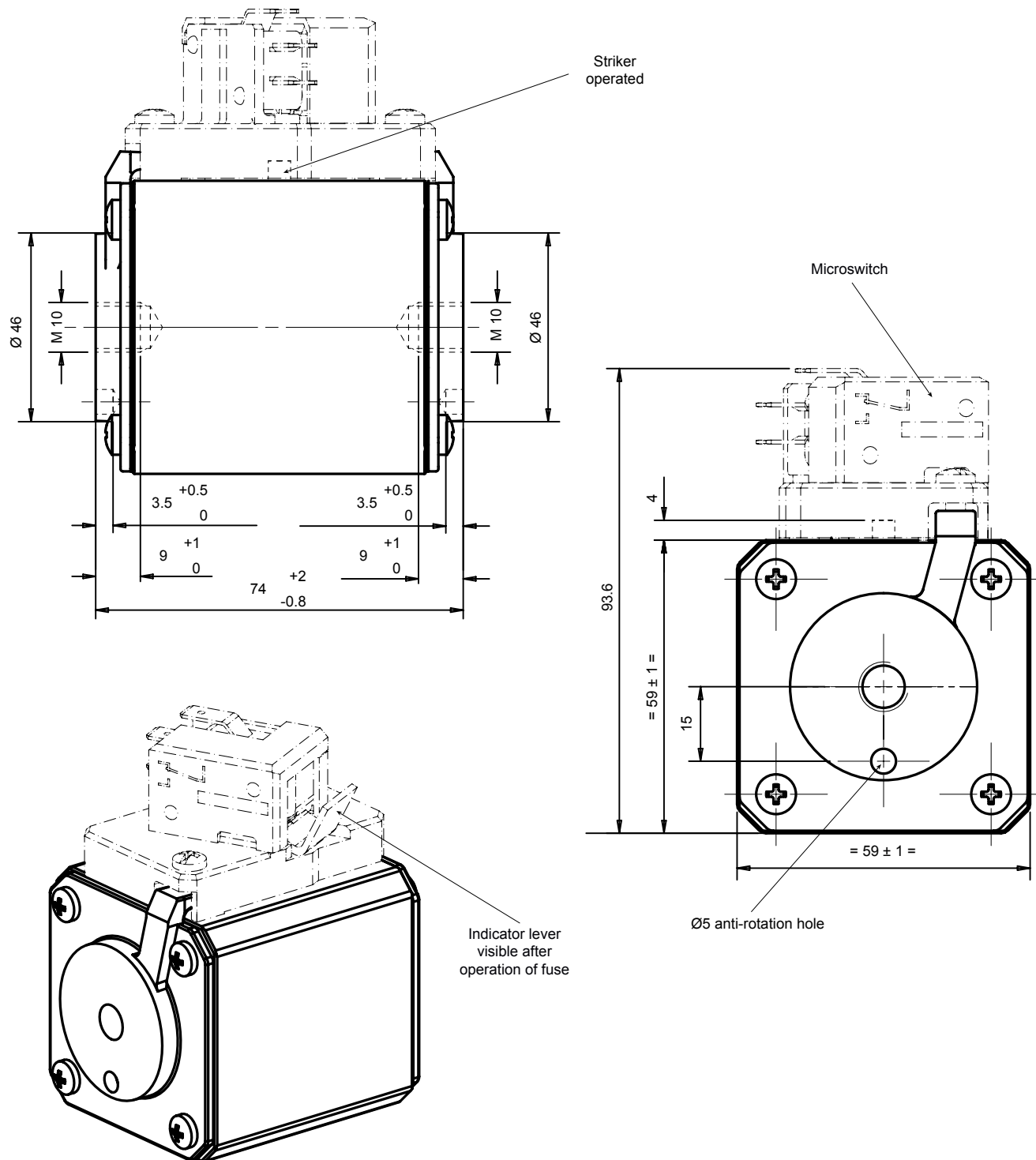
Dimensions in mm

Protistor® size 72 aR

850 to 1250VAC (IEC) / 1300VAC (UL)

DIMENSIONS

Size 72 aR type TTF (105700)



Dimensions in mm

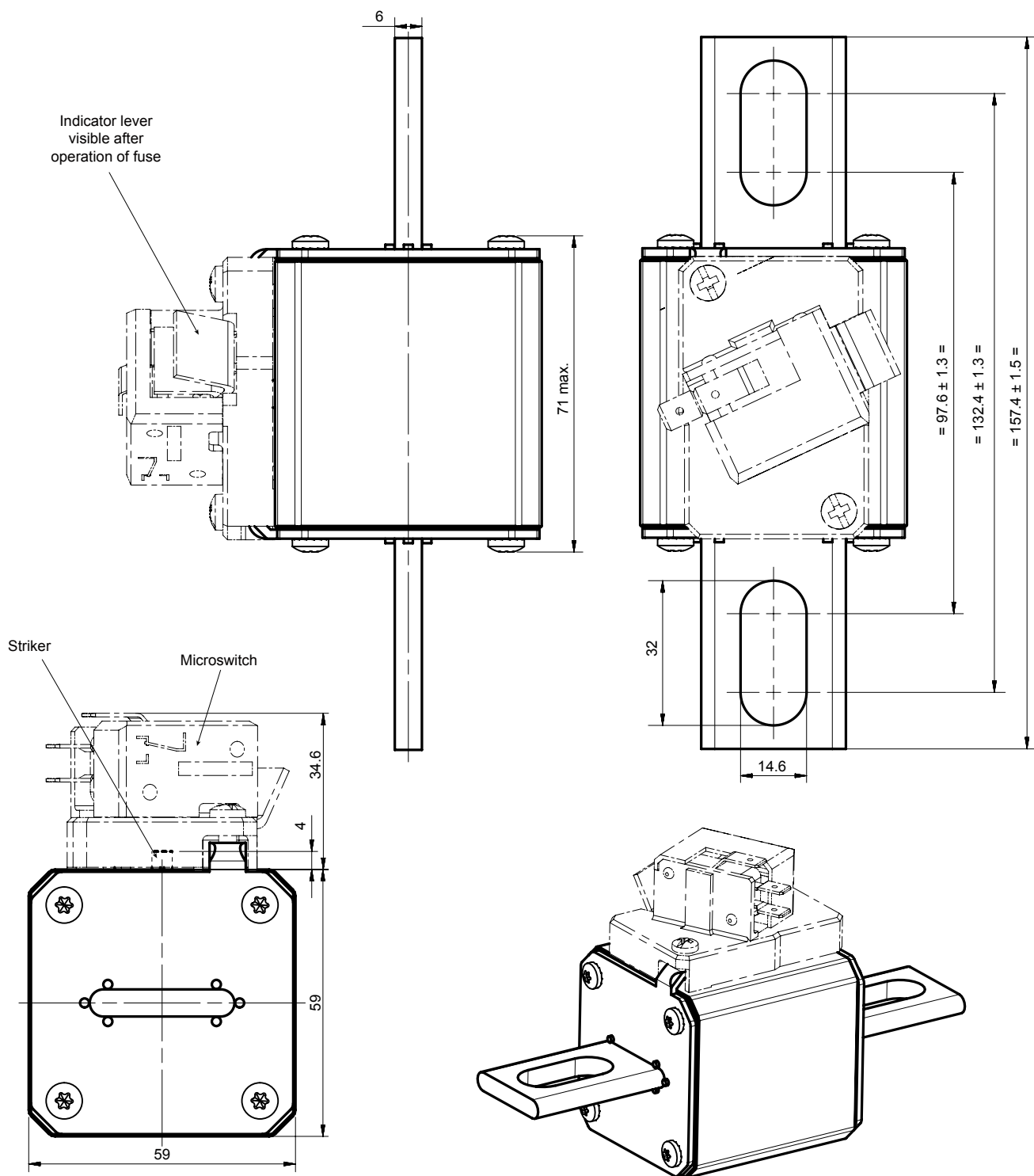
MERSEN reserves the right to change, update or correct, without notice, any information contained in this datasheet.

Protistor® size 72 aR

850 to 1250VAC (IEC) / 1300VAC (UL)

DIMENSIONS

Size 72 aR type LI (105923)



Dimensions in mm

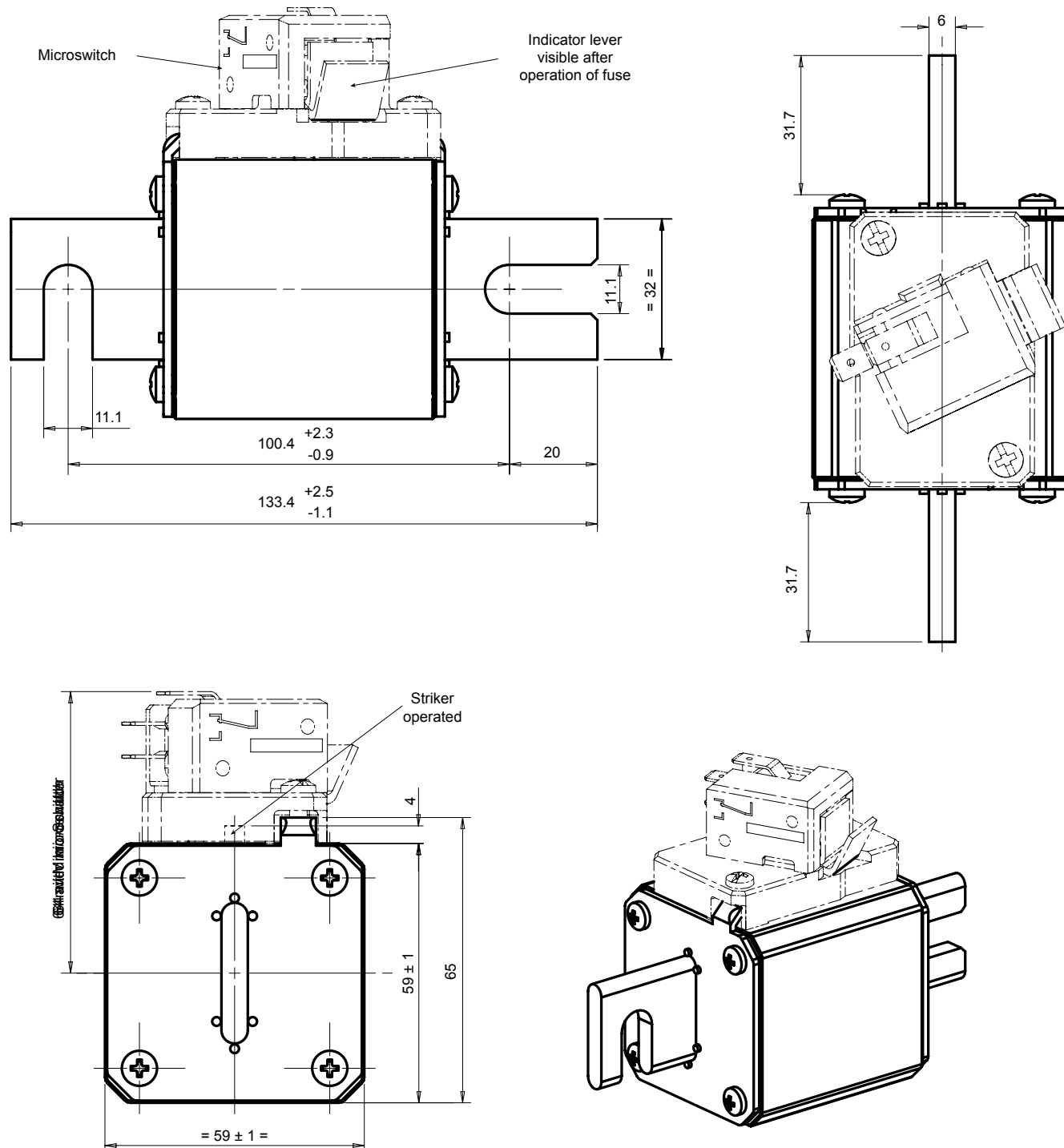
MERSEN reserves the right to change, update or correct, without notice, any information contained in this datasheet.

Protistor® size 72 aR

850 to 1250VAC (IEC) / 1300VAC (UL)

DIMENSIONS

Size 72 aR type DIN 110 (105713)



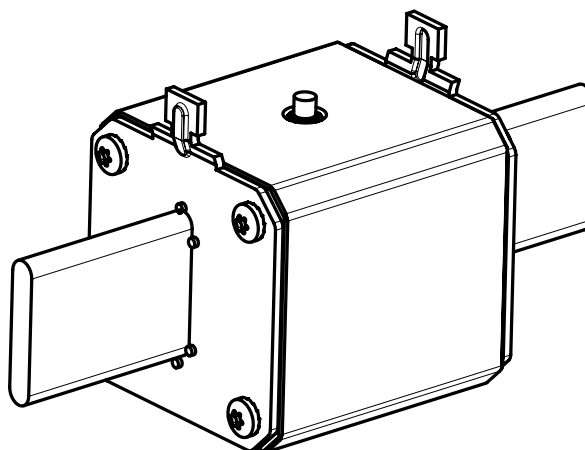
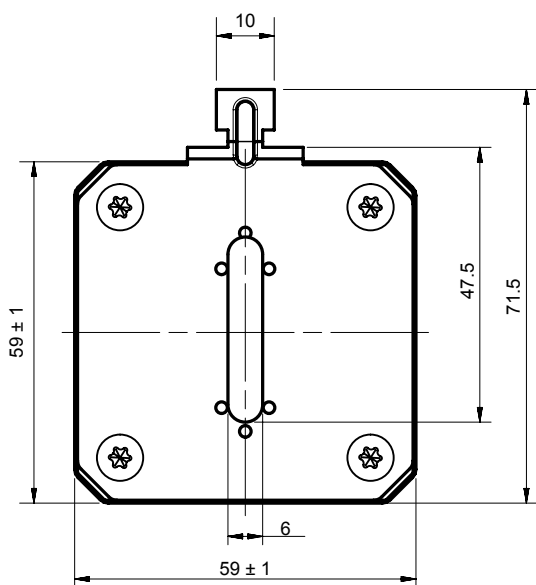
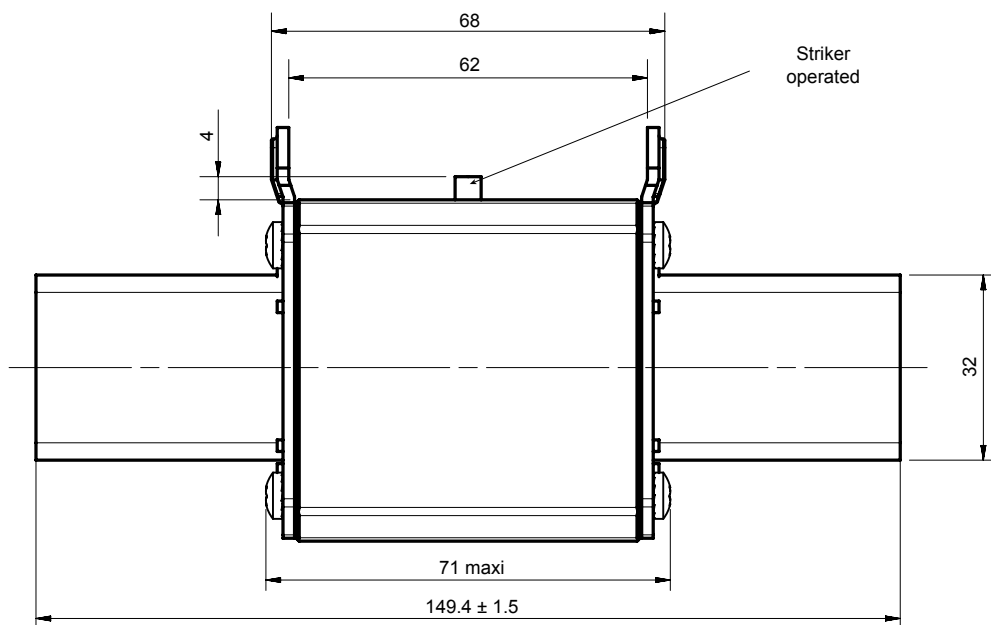
Dimensions in mm

Protistor® size 72 aR

850 to 1250VAC (IEC) / 1300VAC (UL)

DIMENSIONS

Size 72 aR type PA (107131)



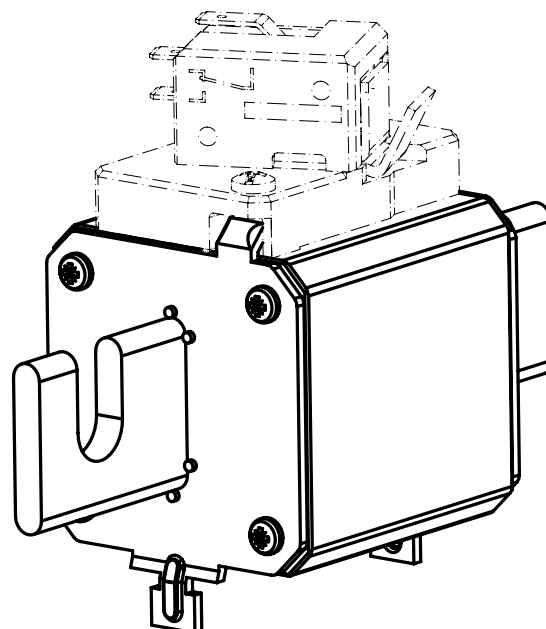
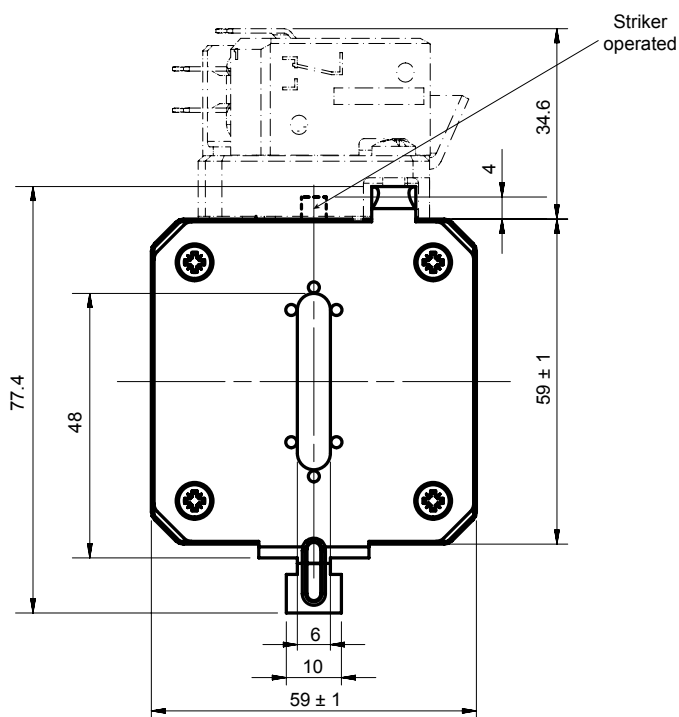
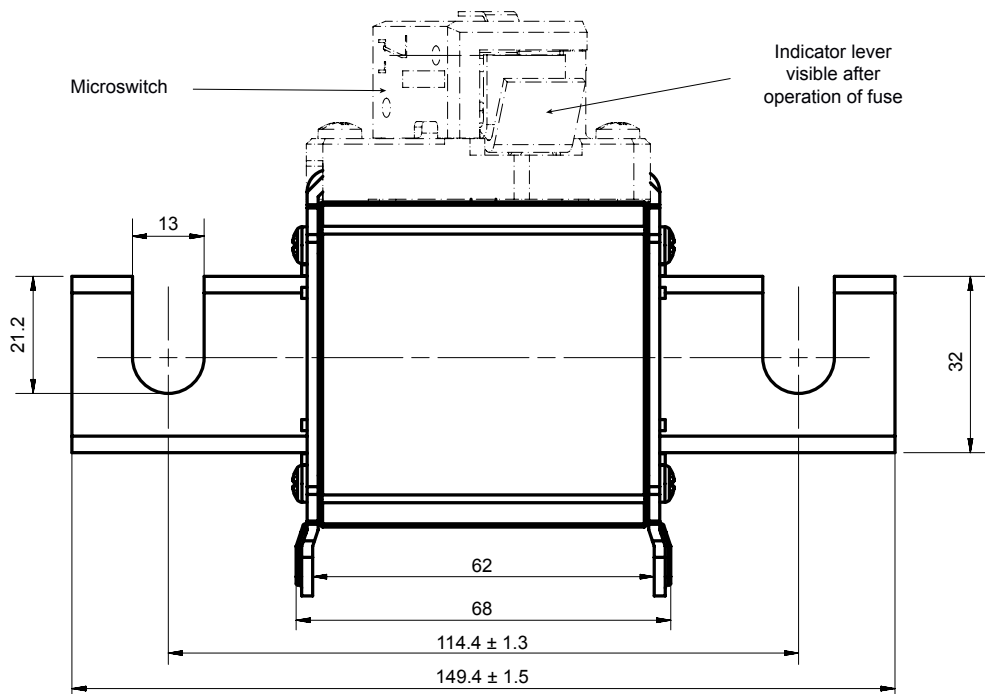
Dimensions in mm

Protistor® size 72 aR

850 to 1250VAC (IEC) / 1300VAC (UL)

DIMENSIONS

Size 72 aR type EF (105881)



Dimensions in mm

APPENDIX

Protistor® size 72 aR

850 to 1250VAC (IEC) / 1300VAC (UL)

Index

Catalog number	Reference number	Description	Page
A130UD72TTI280	N301036	-	2
A130UD72TTI315	P301037	-	2
A130UD72TTI350	Q301038	-	2
A130UD72TTI400	R301039	-	2
A130UD72TTI450	S301040	-	2
A130UD72TTI500	T301041	-	2
A130UD72TTI550	V301042	-	2
A130UD72TTI630	W301043	-	2
A120UD72TTI700	X301044	-	2
A120UD72TTI800	Y301045	-	2
PC72UD13C280TF	Y300493	12.5URD72TTF0280	2
PC72UD13C315TF	Z300494	125URD72TTF0315	2
PC72UD13C350TF	A300495	125URD72TTF0350	2
PC72UD13C400TF	B300496	125URD72TTF400	2
PC72UD13C450TF	C300497	125URD72TTF450	2
PC72UD13C500TF	D300498	125URD72TTF500	2
PC72UD13C550TF	E300499	125URD72TTF550	2
PC72UD13C630TF	F300500	12.5URD72TTF0630	2
PC72UD11C700TF	G300501	11URD72TTF0700	2
PC72UD11C800TF	H300502	11URD72TTF0800	2
PC72UD10C900TF	G300869	10URD72TTF0900	2
PC72UD85V1000TF	T301294	8.5URD72TTF1000	2
A130UD72LI280	Q300670	-	2
A130UD72LI315	R300671	-	2
A130UD72LI350	S300672	-	2
A130UD72LI400	T300673	-	2
A130UD72LI450	V300674	-	2
A130UD72LI500	W300675	A130URD72LI0500	2
A130UD72LI550	X300676	-	2
A120UD72LI630	Y300677	-	2
A110UD72LI700	Z300678	-	2
A110UD72LI800	A300679	-	2
PC72UD13C315PA	H301836	-	3
PC72UD13C400PA	B300841	12,5 URD 72 PA 0400	3
PC72UD13C450PA	C300842	-	3
PC72UD13C500PA	P302716	-	3
PC72UD11C630PA	N301220	-	3
PC72UD10C800PA	M302047	-	3
PC72UD13C280EF	J300618	12,5 URD 72 EF 0280	3
PC72UD13C315EF	K300619	12,5 URD 72 EF 0315	3
PC72UD13C350EF	L300620	-	3
PC72UD13C400EF	M300621	-	3
PC72UD13C450EF	N300622	12,5URD72EF0450	3
PC72UD13C500EF	P300623	-	3
PC72UD13C550EF	Q300624	-	3
PC72UD11C630EF	R300625	-	3
PC72UD10C700EF	S300626	-	3
PC72UD10C800EF	T300627	-	3
PC72UD13C280D1A	P300554	12.5URD72D11A0280	3
PC72UD13C315D1A	Q300555	12.5URD72D11A0315	3
PC72UD13C350D1A	R300556	125URD72D11A0350	3
PC72UD13C400D1A	S300557	12.5URD72D11A0400	3
PC72UD13C450D1A	T300558	12.5URD72D11A0450	3
PC72UD13C500D1A	V300559	12.5URD72D11A0500	3
PC72UD13C550D1A	W300560	125URD72D11A0550	3

MERSEN reserves the right to change, update or correct, without notice, any information contained in this datasheet.

Protistor® size 72 aR

850 to 1250VAC (IEC) / 1300VAC (UL)

Index

Catalog number	Reference number	Description	Page
PC72UD11C630D1A	X300561	11URD72D11A0630	3
PC72UD10C700D1A	Y300562	10URD72D11A0700	3
PC72UD10C800D1A	Z300563	10URD72D11A0800	3

Protistor® size 73 aR

600 to 1250VAC (IEC) / 1300VAC (UL)

SEMICONDUCTOR PROTECTION FUSES

SQUARE BODY HIGH-SPEED FUSE-LINKS AC PROTECTION



These 1250/1300V Protistor® fuse-links provide maximum flexibility in equipment design and ultimate protection for today's power conversion equipment. These aR ultra-fast acting square body fuse-links are available in different body sizes, each size having multiple worldwide acceptable mounting styles.

The Protistor® have been engineered to provide state-of-the-art protection for semiconductors: diodes, thyristors and IGBT devices. Fuses are assembled with die-cut elements embedded in solidified sand, which helps control arcing characteristics for a lower I^2t and high interrupting rating level. All contact surfaces are silver plated and all hardware is non-magnetic.

All fuse-links can be equipped with a low voltage trip-indicator which can operate a field mountable microswitch.

TECHNICAL DATA OVERVIEW

Voltage Range AC	600 ... 1250 VAC
Ampere Range (A)	315 ... 1800 A
Speed/Characteristic	aR
I.R. AC	100 ... 185 kA
Product Size	73

FEATURES & BENEFITS

- Multiple body sizes and terminals or blades combination
- aR Class according to IEC 60269-4 and VDE 636-23
- Very low I^2t for improved semiconductor protection
- Ultra fast acting
- Current limiting
- Superior cycling capability

APPLICATIONS

- Protection of inverters, motor drives, UPS systems and similar 690V or less equipments.

STANDARDS

- IEC 60269-4 Compliance
- UL/CSA Recognized E76491
- CCC GB 13539.4



Protistor® size 73 aR

600 to 1250VAC (IEC) / 1300VAC (UL)

PRODUCT RANGE

Size 73 type TTI 1/2"-13 unified coarse threaded terminals

Catalog number	Reference number	Rated voltage AC (IEC)	Rated voltage AC (UL)	Rated current I _n	Pre-arcing I ² t	Clearing I ² t at Rated Voltage	Rated breaking capacity AC	Power dissipation at I _n	Weight	Package
A130UD73TTI315	Z301046	1250 V	1300 V	315 A	12 kA ² s	95 kA ² s	100 kA	84 W	1250 g	1
A130UD73TTI350	A301047	1250 V	1300 V	350 A	17 kA ² s	140 kA ² s	100 kA	86 W	1250 g	1
A130UD73TTI400	B301048	1250 V	1300 V	400 A	25 kA ² s	205 kA ² s	100 kA	93 W	1250 g	1
A130UD73TTI450	C301049	1250 V	1300 V	450 A	35.5 kA ² s	290 kA ² s	100 kA	99 W	1250 g	1
A130UD73TTI500	D301050	1250 V	1300 V	500 A	44 kA ² s	360 kA ² s	100 kA	112 W	1250 g	1
A130UD73TTI550	E301051	1250 V	1300 V	550 A	57 kA ² s	465 kA ² s	100 kA	116 W	1250 g	1
A130UD73TTI630	F301052	1250 V	1300 V	630 A	84 kA ² s	680 kA ² s	100 kA	125 W	1250 g	1
A130UD73TTI700	G301053	1250 V	1300 V	700 A	114 kA ² s	900 kA ² s	100 kA	135 W	1250 g	1
A130UD73TTI800	H301054	1250 V	1300 V	800 A	189 kA ² s	1530 kA ² s	100 kA	136 W	1250 g	1
A130UD73TTI900	J301055	1200 V	1300 V	900 A	250 kA ² s	1870 kA ² s	100 kA	150 W	1250 g	1
A110UD73TTI1000	K301056	1000 V	1100 V	1000 A	370 kA ² s	2130 kA ² s	120 kA	152 W	1250 g	1
A100UD73TTI1100	L301057	950 V	1000 V	1100 A	445 kA ² s	2430 kA ² s	110 kA	168 W	1250 g	1
A100UD73TTI1250	M301058	900 V	1000 V	1250 A	585 kA ² s	3080 kA ² s	110 kA	186 W	1250 g	1
A090UD73TTI1400	N301059	850 V	900 V	1400 A	755 kA ² s	3700 kA ² s	185 kA	210 W	1250 g	1
A070UD73TTI1600	Q300877	690 V	700 V	1600 A	1430 kA ² s	5740 kA ² s	185 kA	203 W	1250 g	1
A065UD73TTI1800	R300878	600 V	650 V	1800 A	2040 kA ² s	7150 kA ² s	120 kA	206 W	1250 g	1



PC73UD10C1000TF

Size 73 type TTF M12 threaded terminals

Catalog number	Reference number	Rated voltage AC (IEC)	Rated voltage AC (UL)	Rated current I _n	Pre-arcing I ² t	Clearing I ² t at Rated Voltage	Rated breaking capacity AC	Power dissipation at I _n	Weight	Package
PC73UD13C315TF	J300503	1250 V	1300 V	315 A	12 kA ² s	95 kA ² s	100 kA	84 W	1250 g	1
PC73UD13C350TF	K300504	1250 V	1300 V	350 A	17 kA ² s	140 kA ² s	100 kA	86 W	1106 g	1
PC73UD13C400TF	L300505	1250 V	1300 V	400 A	25 kA ² s	205 kA ² s	100 kA	93 W	1106 g	1
PC73UD13C450TF	M300506	1250 V	1300 V	450 A	35.5 kA ² s	290 kA ² s	100 kA	99 W	1106 g	1
PC73UD13C500TF	N300507	1250 V	1300 V	500 A	44 kA ² s	360 kA ² s	100 kA	112 W	1106 g	1
PC73UD13C550TF	P300508	1250 V	1300 V	550 A	57 kA ² s	465 kA ² s	100 kA	116 W	1106 g	1
PC73UD13C630TF	Q300509	1250 V	1300 V	630 A	84 kA ² s	680 kA ² s	100 kA	125 W	1106 g	1
PC73UD13C700TF	R300510	1250 V	1300 V	700 A	114 kA ² s	900 kA ² s	100 kA	135 W	1106 g	1
PC73UD13C800TF	S300511	1250 V	1300 V	800 A	189 kA ² s	1530 kA ² s	100 kA	136 W	1106 g	1
PC73UD12C900TF	T300512	1200 V	1300 V	900 A	250 kA ² s	1870 kA ² s	100 kA	151 W	1220 g	1
PC73UD10C1000TF	V300513	1000 V	1100 V	1000 A	370 kA ² s	2130 kA ² s	120 kA	152 W	1220 g	1
PC73UD95V11CTF	W300514	950 V	1000 V	1100 A	445 kA ² s	2430 kA ² s	110 kA	168 W	1220 g	1
PC73UD90V13CTF	T300696	900 V	1000 V	1250 A	585 kA ² s	3080 kA ² s	110 kA	186 W	1220 g	1
PC73UD85V14CTF	S300718	850 V	900 V	1400 A	755 kA ² s	3700 kA ² s	185 kA	210 W	1220 g	1
PC73UD69V16CTF	B301301	690 V	700 V	1600 A	1430 kA ² s	5740 kA ² s	185 kA	203 W	1220 g	1
PC73UD60V18CTF	C301302	600 V	650 V	1800 A	2040 kA ² s	7150 kA ² s	120 kA	206 W	1220 g	1

Protistor® size 73 aR

600 to 1250VAC (IEC) / 1300VAC (UL)

PRODUCT RANGE

Size 73 type long slotted blades

Catalog number	Reference number	Rated voltage AC (IEC)	Rated voltage AC (UL)	Rated current I _n	Pre-arcing I ² t	Clearing I ² t at Rated Voltage	Rated breaking capacity AC	Power dissipation at I _n	Weight	Package
A130UD73LI315	B300680	1250 V	1300 V	315 A	12 kA ² s	95 kA ² s	100 kA	84 W	1250 g	1
A130UD73LI350	C300681	1250 V	1300 V	350 A	17 kA ² s	140 kA ² s	100 kA	86 W	1250 g	1
A130UD73LI400	D300682	1250 V	1300 V	400 A	25 kA ² s	205 kA ² s	100 kA	93 W	1250 g	1
A130UD73LI450	E300683	1250 V	1300 V	450 A	35.5 kA ² s	290 kA ² s	100 kA	100 W	1250 g	1
A120UD73LI500	F300684	1250 V	1300 V	500 A	44 kA ² s	360 kA ² s	100 kA	112 W	1250 g	1
A130UD73LI550	G300685	1250 V	1300 V	550 A	57 kA ² s	465 kA ² s	100 kA	120 W	1250 g	1
A130UD73LI630	H300686	1250 V	1300 V	630 A	84 kA ² s	680 kA ² s	100 kA	132 W	1250 g	1
A130UD73LI700	J300687	1200 V	1300 V	700 A	110 kA ² s	900 kA ² s	100 kA	146 W	1363 g	1
A120UD73LI800	K300688	1100 V	1200 V	800 A	190 kA ² s	1230 kA ² s	100 kA	148 W	1250 g	1
A110UD73LI900	L300689	1000 V	1100 V	900 A	250 kA ² s	1440 kA ² s	120 kA	170 W	1250 g	1
A100UD73LI1000	M300690	900 V	1000 V	1000 A	370 kA ² s	1920 kA ² s	110 kA	174 W	1160 g	1
A100UD73LI1100	N300691	900 V	1000 V	1100 A	445 kA ² s	2280 kA ² s	110 kA	208 W	1363 g	1
A100UD73LI1250	J301193	900 V	1000 V	1250 A	585 kA ² s	3080 kA ² s	110 kA	234 W	1250 g	1
A90UD73LI1400	K301194	850 V	900 V	1400 A	755 kA ² s	3700 kA ² s	100 kA	260 W	1250 g	1

Size 73 type NH style blade contacts

Catalog number	Reference number	Rated voltage AC (IEC)	Rated voltage AC (UL)	Rated current I _n	Pre-arcing I ² t	Clearing I ² t at Rated Voltage	Rated breaking capacity AC	Power dissipation at I _n	Weight	Package
PC73UD13C450PA	X302976	1250 V	1300 V	450 A	35.5 kA ² s	290 kA ² s	100 kA	100 W	1160 g	3
PC73UD13C500PA	S302719	1250 V	1300 V	500 A	44 kA ² s	360 kA ² s	100 kA	112 W	1160 g	3
PC73UD13C550PA	Y302977	1250 V	1300 V	550 A	57 kA ² s	465 kA ² s	100 kA	120 W	1160 g	3
PC73UD13C630PA	D300843	1250 V	1300 V	630 A	84 kA ² s	680 kA ² s	100 kA	132 W	1160 g	3
PC73UD12C700PA	B301784	1200 V	1300 V	700 A	110 kA ² s	900 kA ² s	100 kA	146 W	1160 g	3
PC73UD11C800PA	Z301966	1100 V	1200 V	800 A	190 kA ² s	1230 kA ² s	100 kA	148 W	1160 g	3
PC73UD10C900PA	F302685	1000 V	1100 V	900 A	250 kA ² s	1440 kA ² s	120 kA	170 W	1160 g	3
PC73UD90V10CPA	R302718	900 V	1000 V	1000 A	370 kA ² s	1920 kA ² s	110 kA	174 W	1160 g	3
PC73UD90V11CPA	Q302717	900 V	1000 V	1100 A	445 kA ² s	2280 kA ² s	110 kA	208 W	1160 g	3
PC73UD85V14CPA	G302686	900 V	1000 V	1250 A	585 kA ² s	3080 kA ² s	110 kA	234 W	1160 g	3
A090UD73PA1400	G302709	850 V	900 V	1400 A	755 kA ² s	3700 kA ² s	100 kA	260 W	1160 g	3

Size 73 for bolted connections

Catalog number	Reference number	Rated voltage AC (IEC)	Rated voltage AC (UL)	Rated current I _n	Pre-arcing I ² t	Clearing I ² t at Rated Voltage	Rated breaking capacity AC	Power dissipation at I _n	Weight	Package
PC73UD13C315EF	V300628	1250 V	1300 V	315 A	12 kA ² s	95 kA ² s	100 kA	84 W	1110 g	1
PC73UD13C350EF	W300629	1250 V	1300 V	350 A	17 kA ² s	140 kA ² s	100 kA	86 W	1150 g	1
PC73UD13C400EF	X300630	1250 V	1300 V	400 A	25 kA ² s	205 kA ² s	100 kA	93 W	1150 g	1
PC73UD13C450EF	Y300631	1250 V	1300 V	450 A	35.5 kA ² s	290 kA ² s	100 kA	100 W	1150 g	1
PC73UD13C500EF	Z300632	1250 V	1300 V	500 A	44 kA ² s	360 kA ² s	100 kA	112 W	1110 g	1
PC73UD13C550EF	A300633	1250 V	1300 V	550 A	57 kA ² s	465 kA ² s	100 kA	120 W	1110 g	1
PC73UD13C630EF	B300634	1250 V	1300 V	630 A	84 kA ² s	680 kA ² s	100 kA	132 W	1110 g	1
PC73UD12C700EF	C300635	1200 V	1300 V	700 A	110 kA ² s	900 kA ² s	100 kA	146 W	1150 g	1
PC73UD11C800EF	D300636	1100 V	1200 V	800 A	190 kA ² s	1230 kA ² s	100 kA	148 W	1110 g	1
PC73UD10C900EF	E300637	1000 V	1100 V	900 A	250 kA ² s	1440 kA ² s	120 kA	170 W	1110 g	1
PC73UD90V10CEF	F300638	900 V	1000 V	1000 A	370 kA ² s	1920 kA ² s	110 kA	174 W	1110 g	1
PC73UD90V11CEF	G300639	900 V	1000 V	1100 A	445 kA ² s	2280 kA ² s	110 kA	208 W	1150 g	1

MERSEN reserves the right to change, update or correct, without notice, any information contained in this datasheet.

Protistor® size 73 aR

600 to 1250VAC (IEC) / 1300VAC (UL)

PRODUCT RANGE



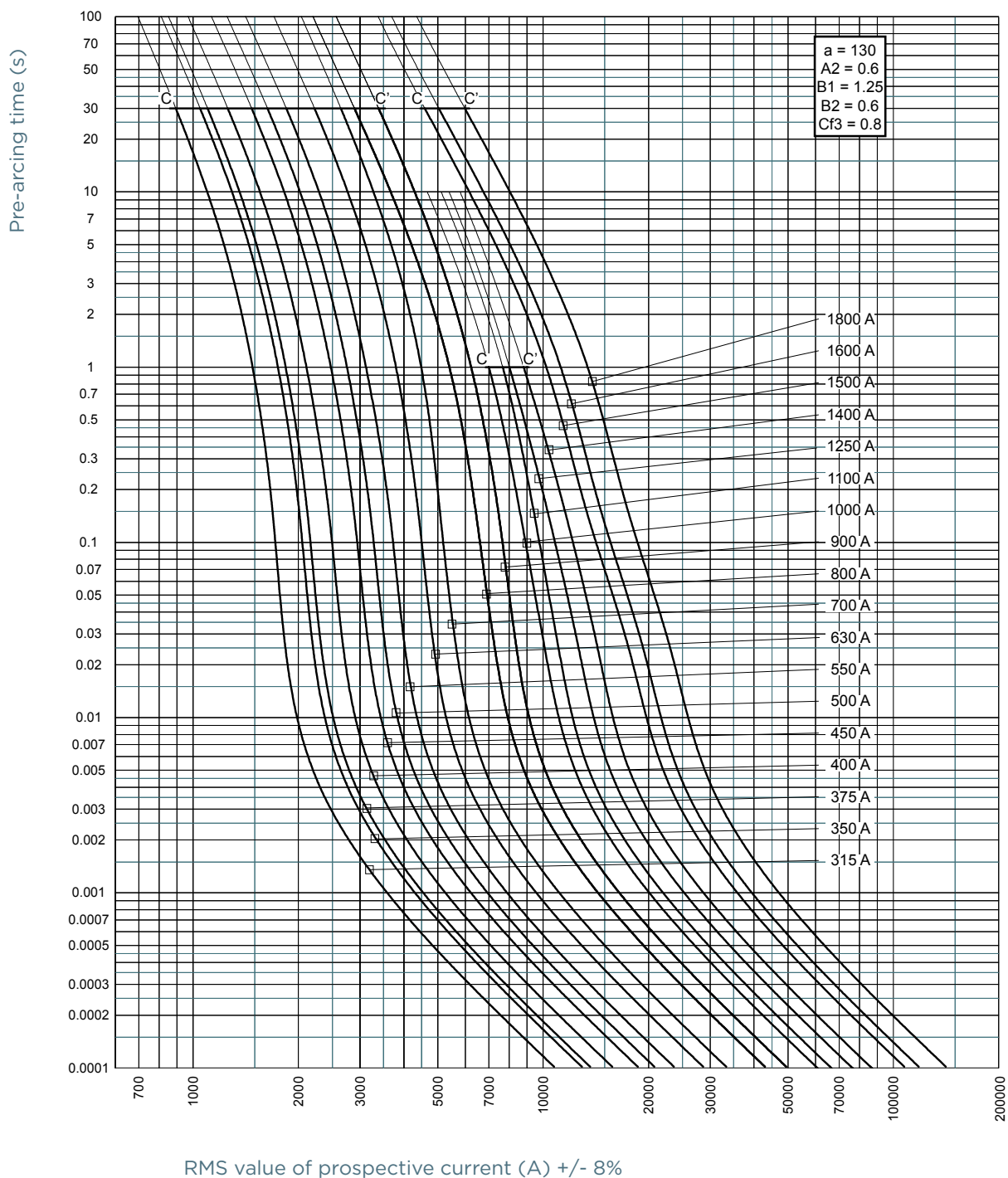
PC73UD90V11CD1A

Size 73 type DIN110

Catalog number	Reference number	Rated voltage AC (IEC)	Rated voltage AC (UL)	Rated current I _n	Pre-arcing I ² t	Clearing I ² t at Rated Voltage	Rated breaking capacity AC	Power dissipation at I _n	Weight	Package
PC73UD13C315D1A	A300564	1250 V	1300 V	315 A	12 kA ² s	95 kA ² s	100 kA	84 W	1150 g	1
PC73UD13C350D1A	B300565	1250 V	1300 V	350 A	17 kA ² s	140 kA ² s	100 kA	86 W	1120 g	1
PC73UD13C400D1A	C300566	1250 V	1300 V	400 A	25 kA ² s	205 kA ² s	100 kA	93 W	1120 g	1
PC73UD13C450D1A	D300567	1250 V	1300 V	450 A	35.5 kA ² s	290 kA ² s	100 kA	100 W	1120 g	1
PC73UD13C500D1A	E300568	1250 V	1300 V	500 A	44 kA ² s	360 kA ² s	100 kA	112 W	1120 g	1
PC73UD13C550D1A	F300569	1250 V	1300 V	550 A	57 kA ² s	465 kA ² s	100 kA	120 W	1120 g	1
PC73UD13C630D1A	G300570	1250 V	1300 V	630 A	84 kA ² s	680 kA ² s	100 kA	132 W	1120 g	1
PC73UD12C700D1A	H300571	1200 V	1300 V	700 A	110 kA ² s	900 kA ² s	100 kA	146 W	1120 g	1
PC73UD11C800D1A	J300572	1100 V	1200 V	800 A	190 kA ² s	1230 kA ² s	100 kA	148 W	1120 g	1
PC73UD10C900D1A	K300573	1000 V	1100 V	900 A	250 kA ² s	1440 kA ² s	120 kA	170 W	1120 g	1
PC73UD90V10CD1A	L300574	900 V	1000 V	1000 A	370 kA ² s	1920 kA ² s	110 kA	174 W	1120 g	1
PC73UD90V11CD1A	M300575	900 V	1000 V	1100 A	445 kA ² s	2280 kA ² s	110 kA	208 W	1120 g	1

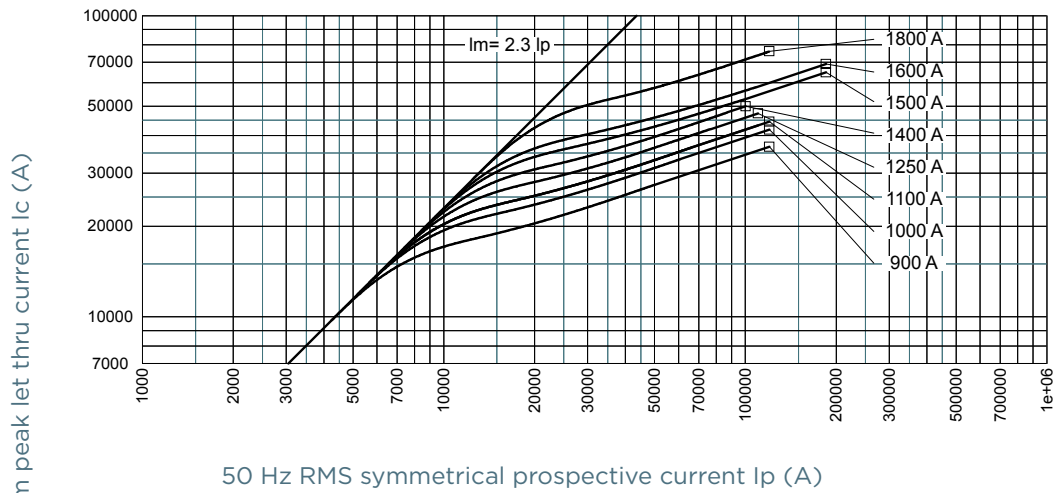
MERSEN reserves the right to change, update or correct, without notice, any information contained in this datasheet.

TIME CURRENT CHARACTERISTIC CURVES



CUT-OFF CURRENT CHARACTERISTIC

- Size 73 aR 600V 1800A
- Size 73 aR 690V 1500 - 1600A
- Size 73 aR 850V 1400A
- Size 73 aR 900V 1000 - 1250A
- Size 73 aR 950V 1100A
- Size 73 aR 1000V 900 - 1100A

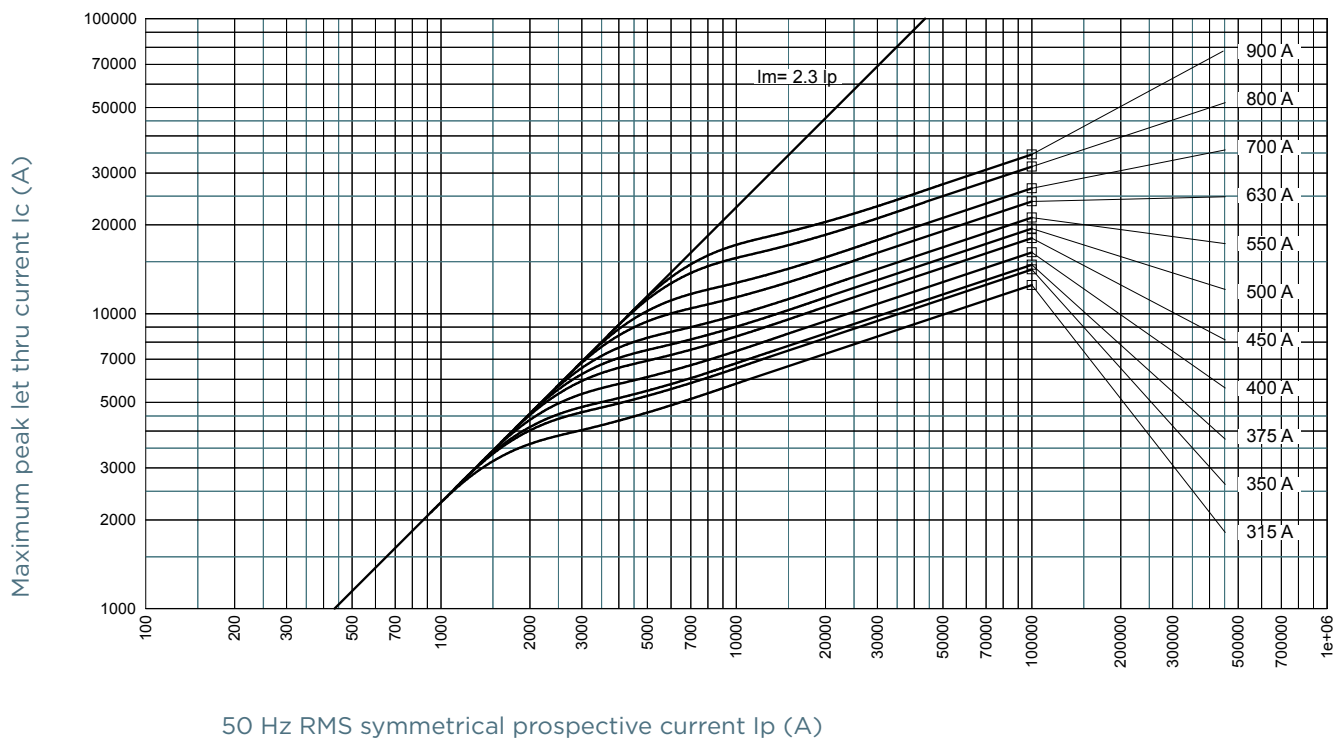


CUT-OFF CURRENT CHARACTERISTIC

Size 73 aR 1100V 800A

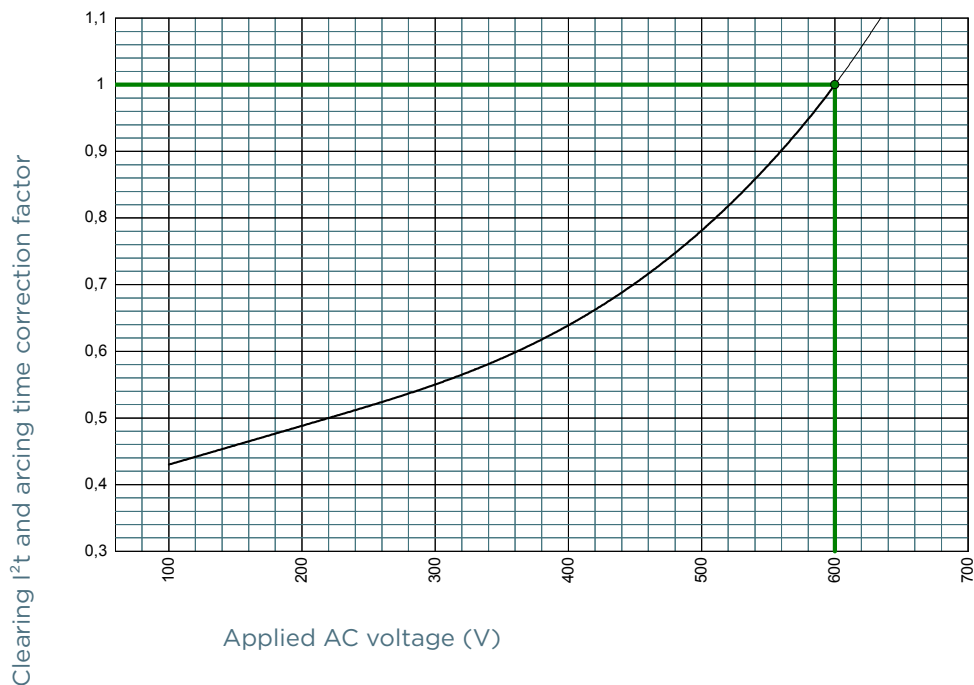
Size 73 aR 1200V 700 - 900A

Size 73 aR 1250V 315 - 800A

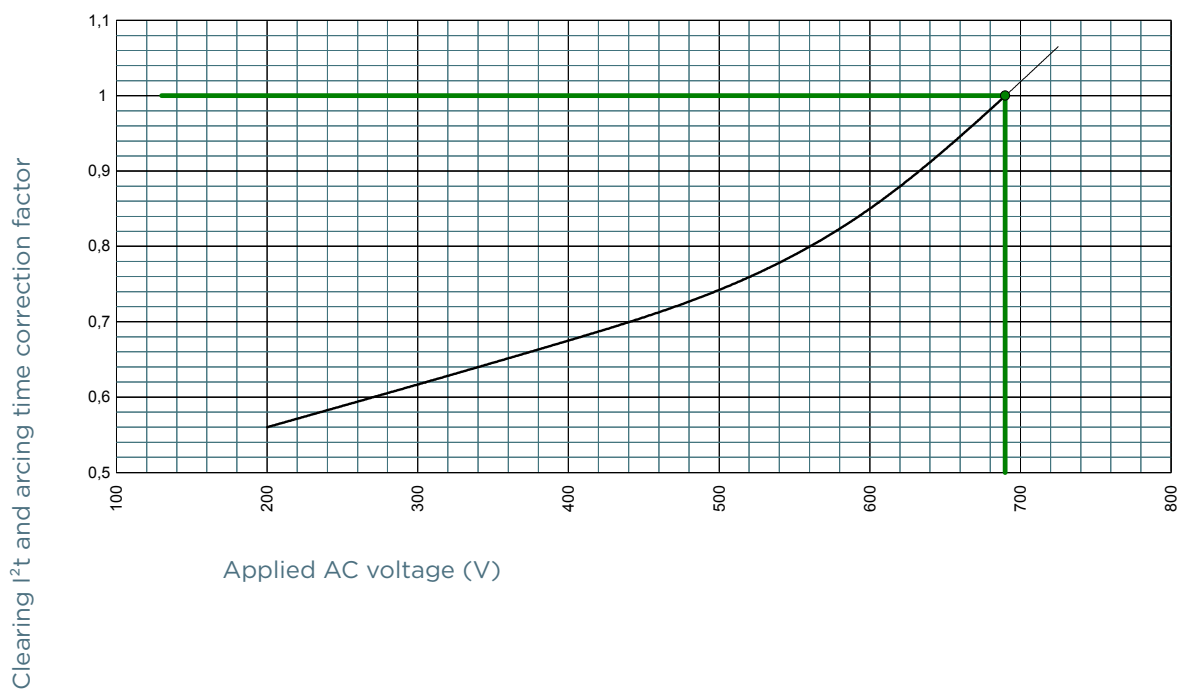


I²T MULTIPLIER COEFFICIENT

Size 73 aR 600V

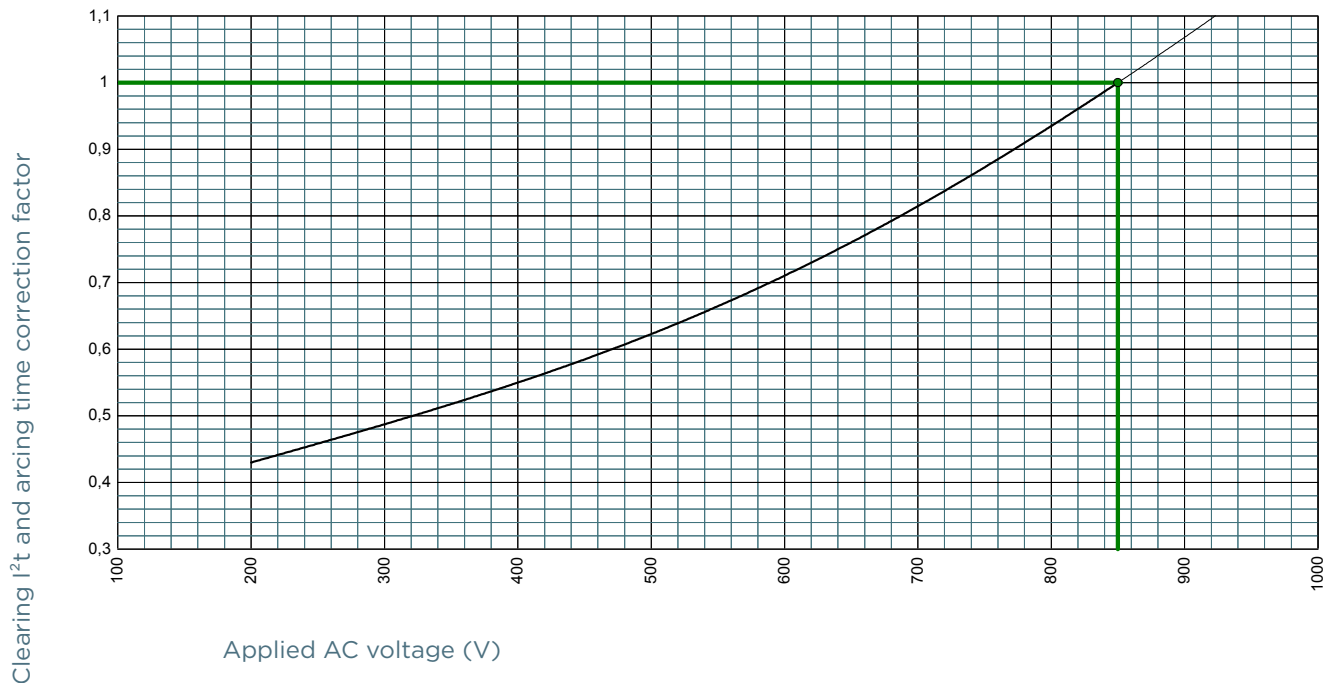


Size 73 aR 690V



I²T MULTIPLIER COEFFICIENT

Size 73 aR 850V

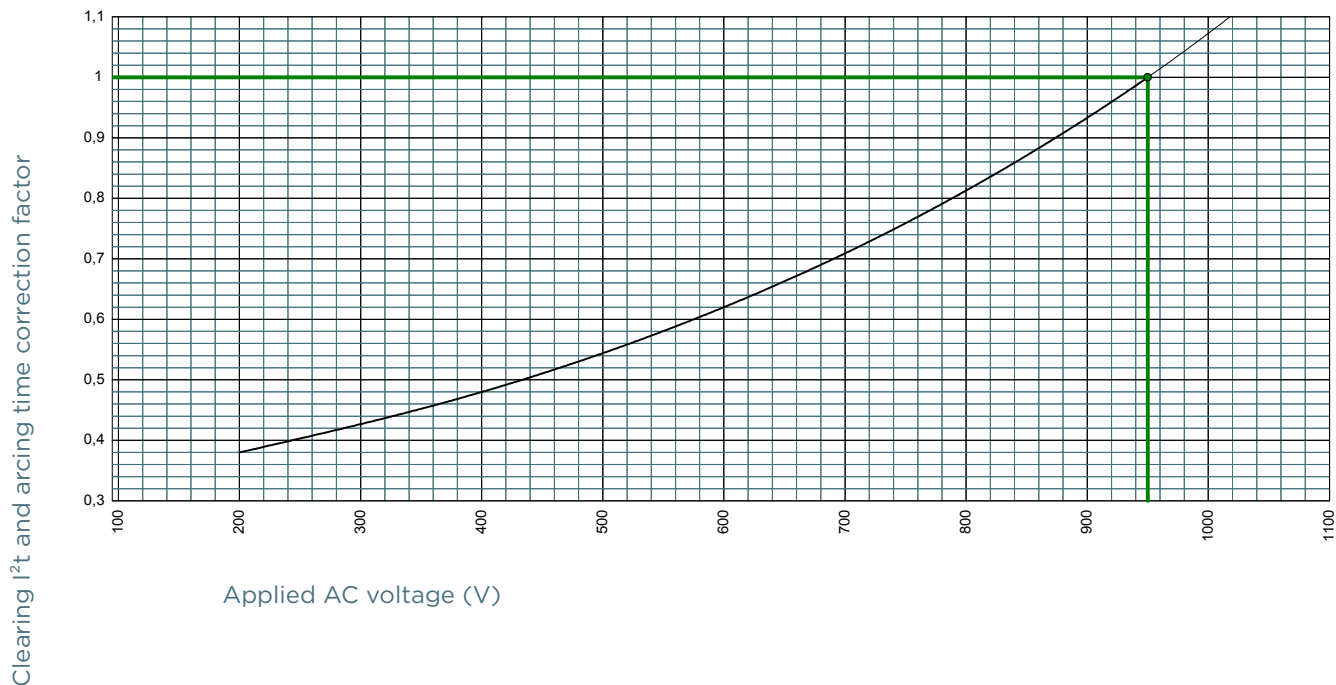


Size 73 aR 900V

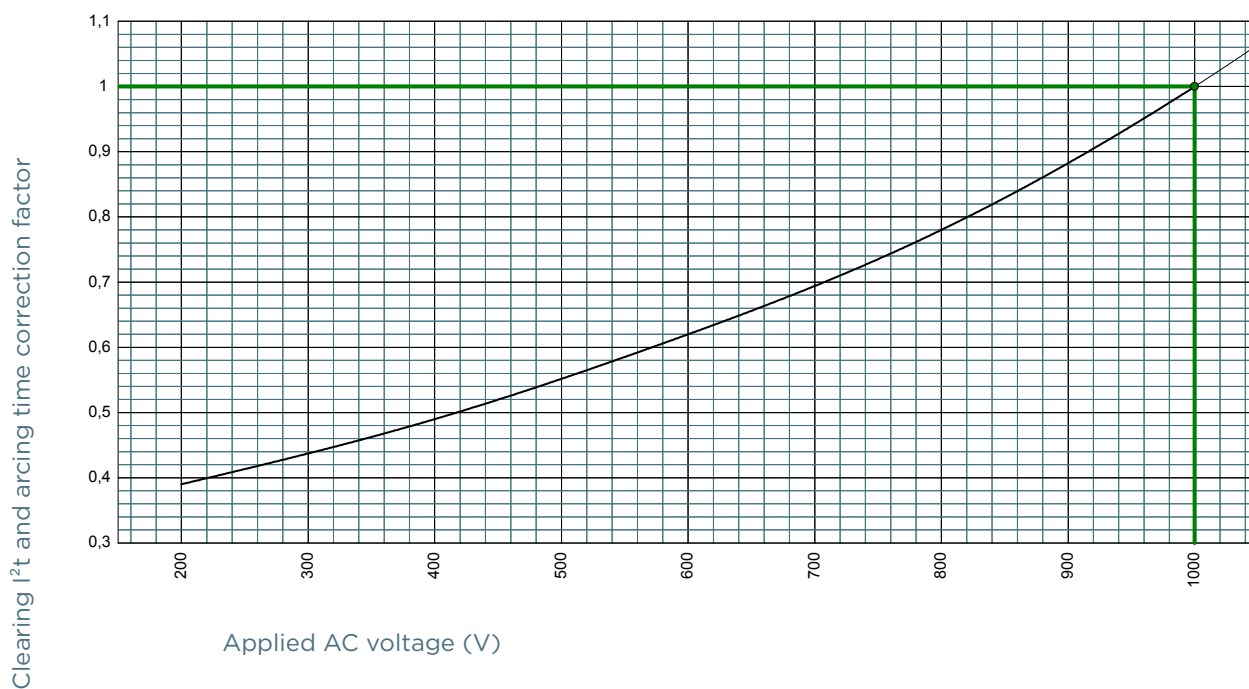


I²T MULTIPLIER COEFFICIENT

Size 73 aR 950V



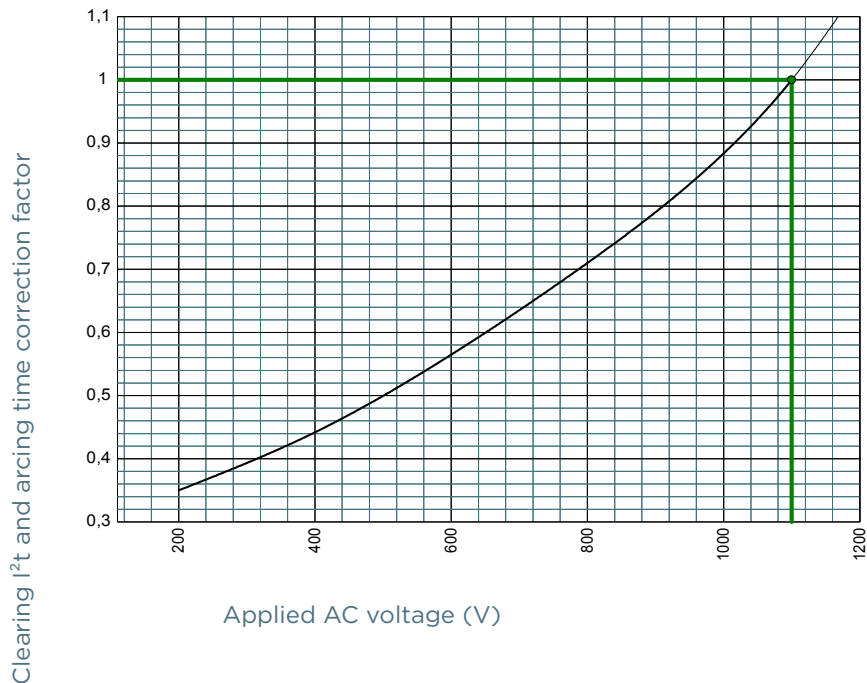
Size 73 aR 1000V



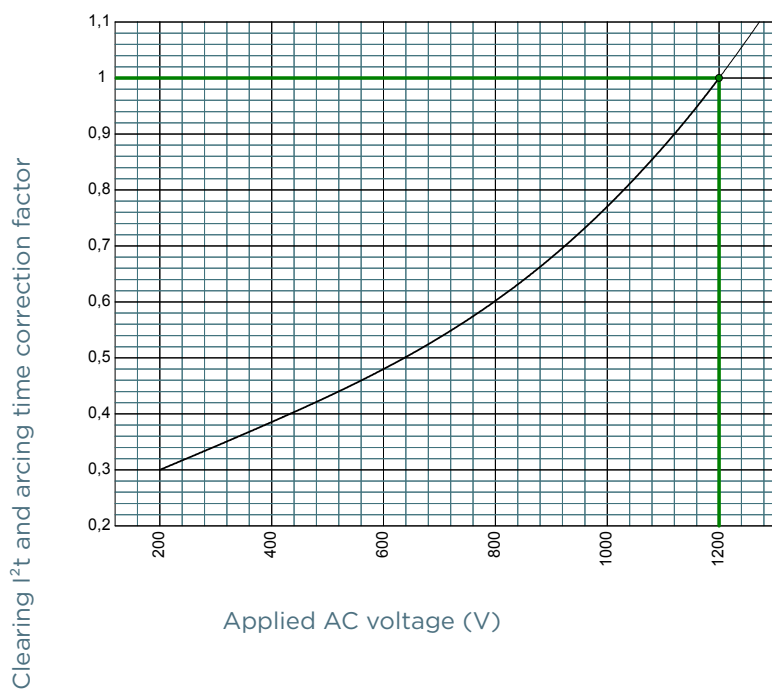
MERSEN reserves the right to change, update or correct, without notice, any information contained in this datasheet.

I²T MULTIPLIER COEFFICIENT

Size 73 aR 1100V

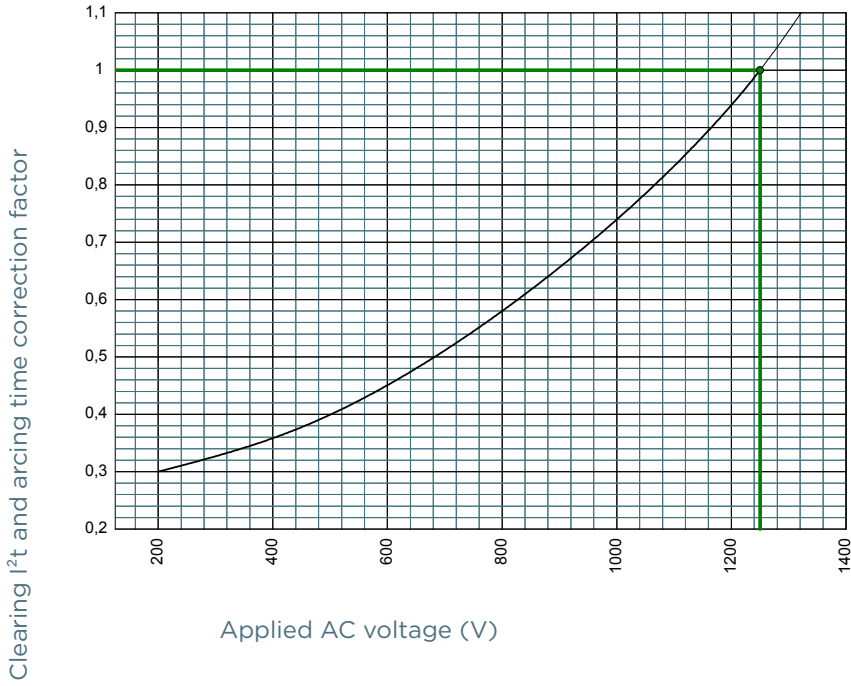


Size 73 aR 1200V



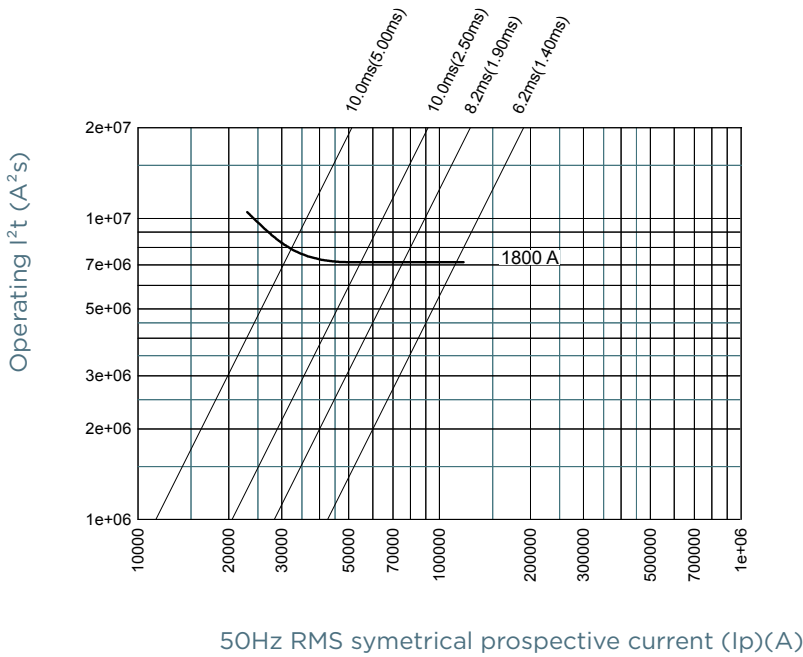
I²T MULTIPLIER COEFFICIENT

Size 73 aR 1250V



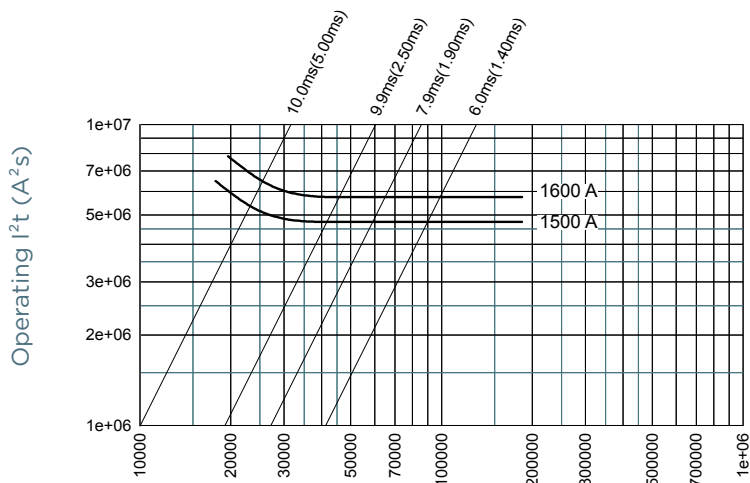
CHARACTERISTICS TOTAL I²T CURVE

Size 73 aR 600V



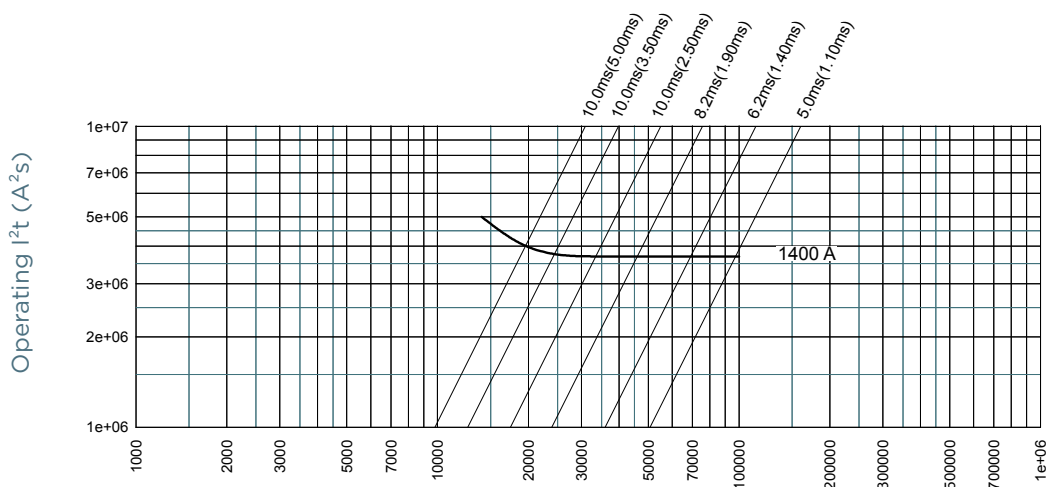
CHARACTERISTICS TOTAL I²T CURVE

Size 73 aR 690V



50Hz RMS symmetrical prospective current (Ip)(A)

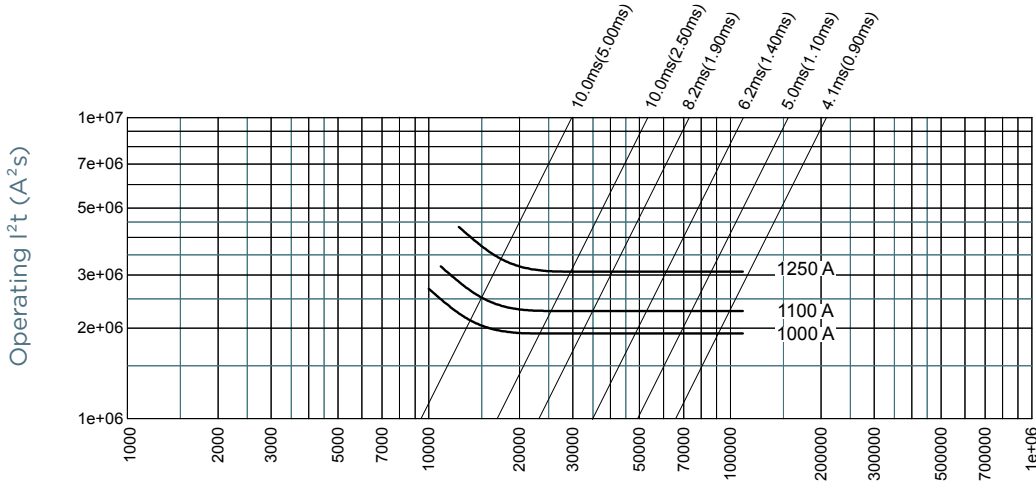
Size 73 aR 850V



50Hz RMS symmetrical prospective current (Ip)(A)

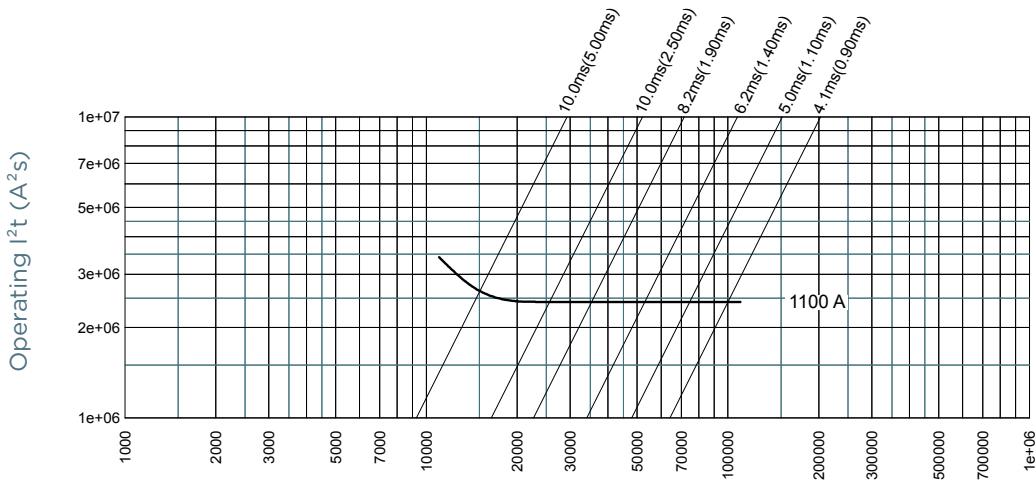
CHARACTERISTICS TOTAL I²T CURVE

Size 73 aR 900V



50Hz RMS symmetrical prospective current (Ip)(A)

Size 73 aR 950V

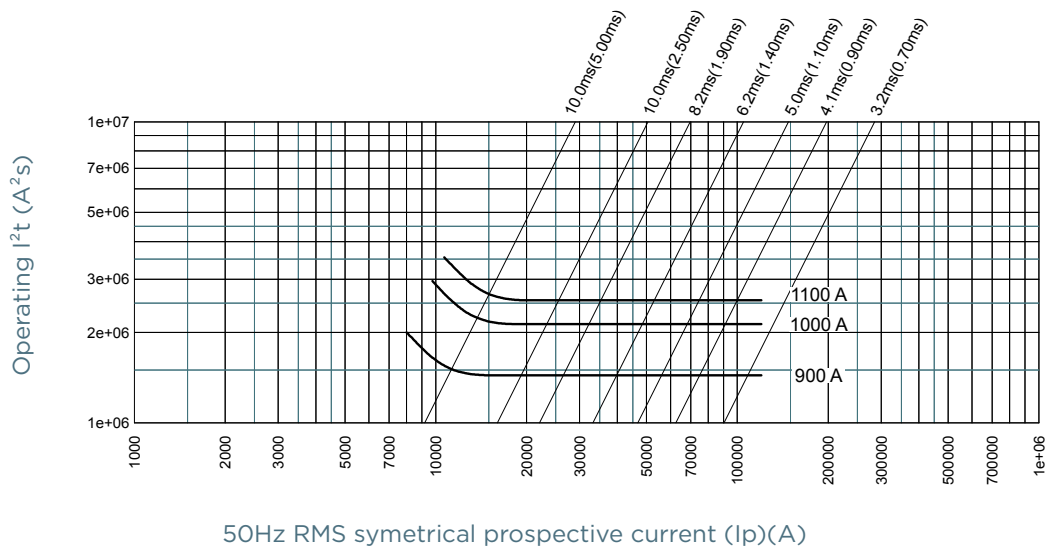


50Hz RMS symmetrical prospective current (Ip)(A)

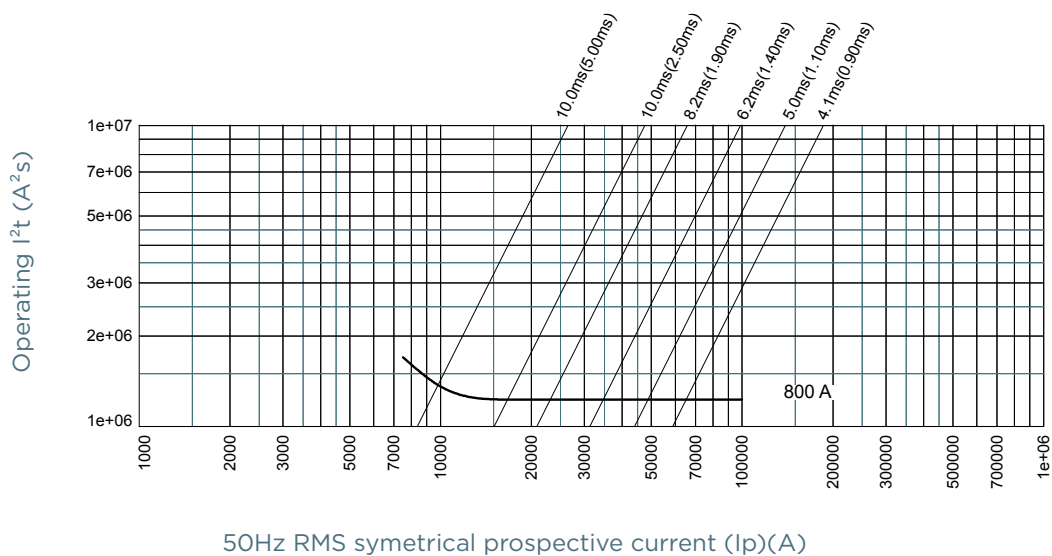
MERSEN reserves the right to change, update or correct, without notice, any information contained in this datasheet.

CHARACTERISTICS TOTAL I²T CURVE

Size 73 aR 1000V

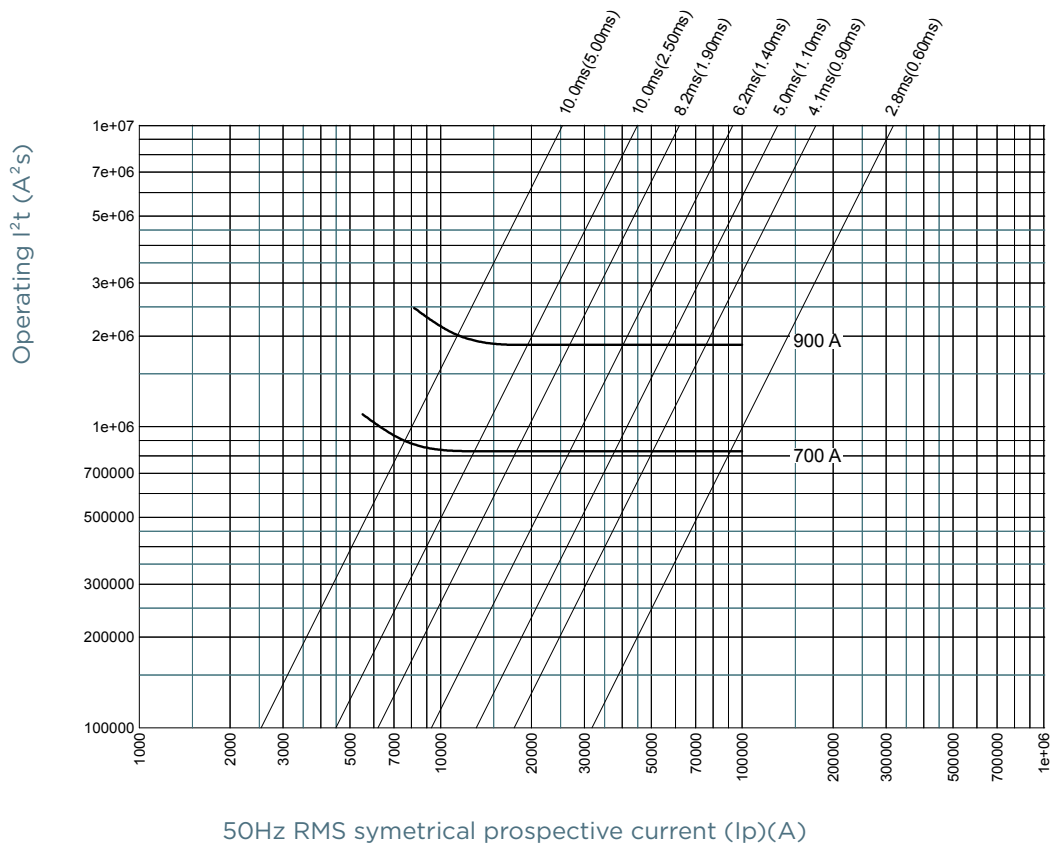


Size 73 aR 1100V



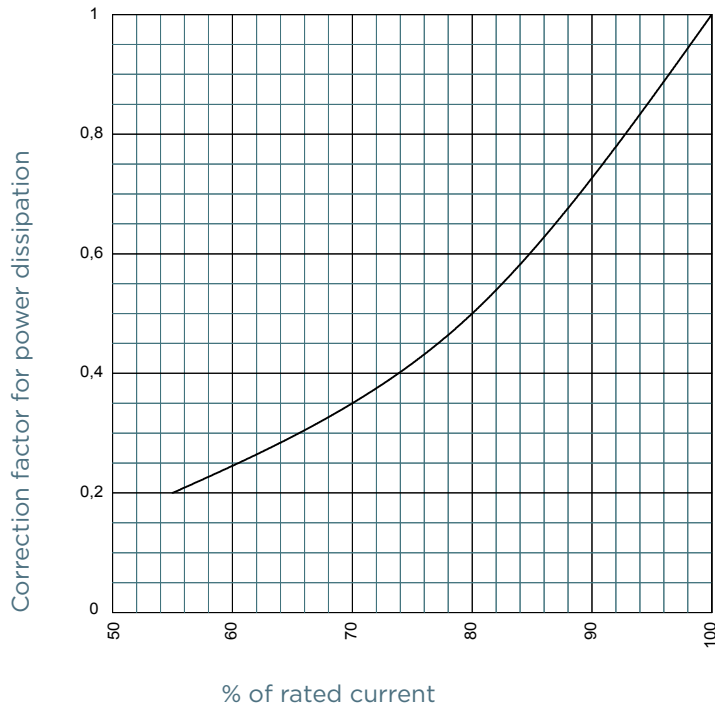
CHARACTERISTICS TOTAL I²T CURVE

Size 73 aR 1200V



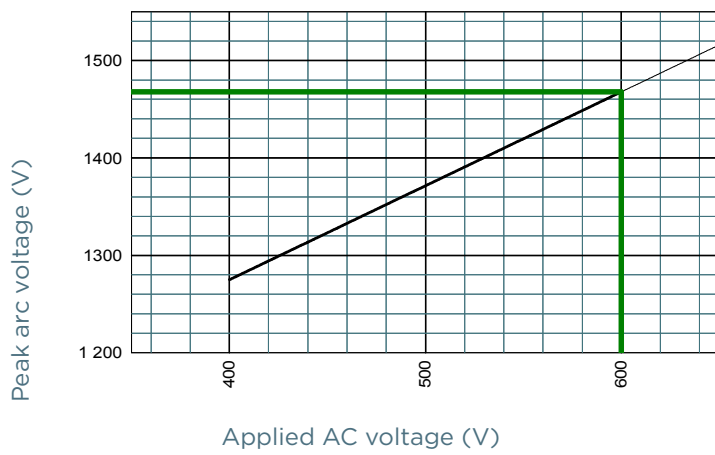
POWER DISSIPATION

Size 73 aR



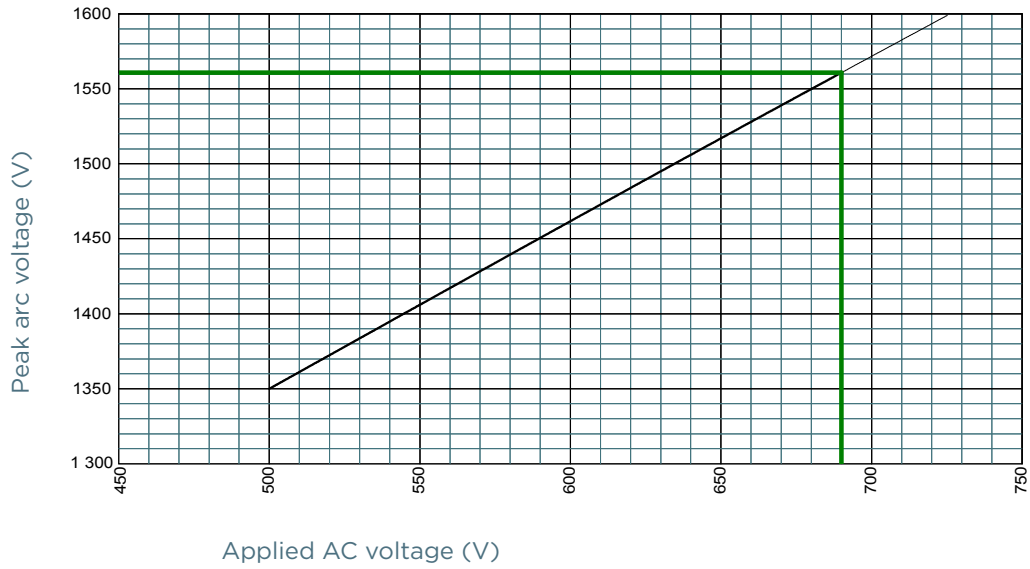
PEAK ARC VOLTAGE

Size 73 aR 600V

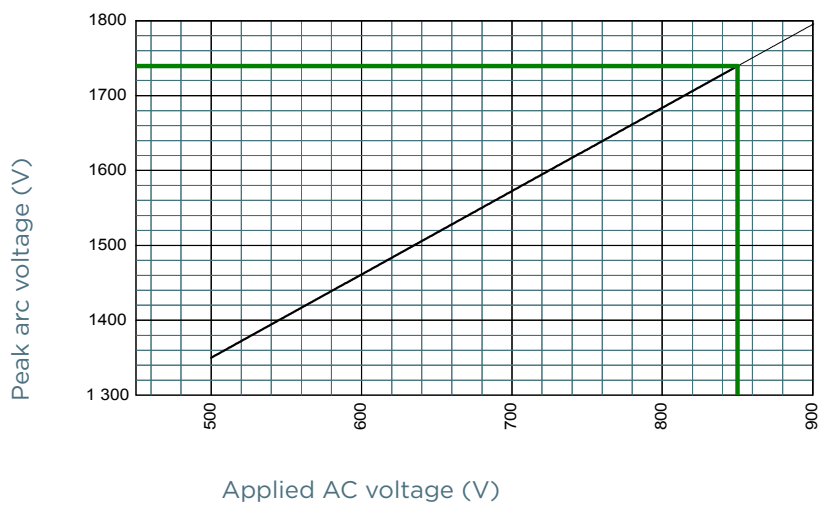


PEAK ARC VOLTAGE

Size 73 aR 690V

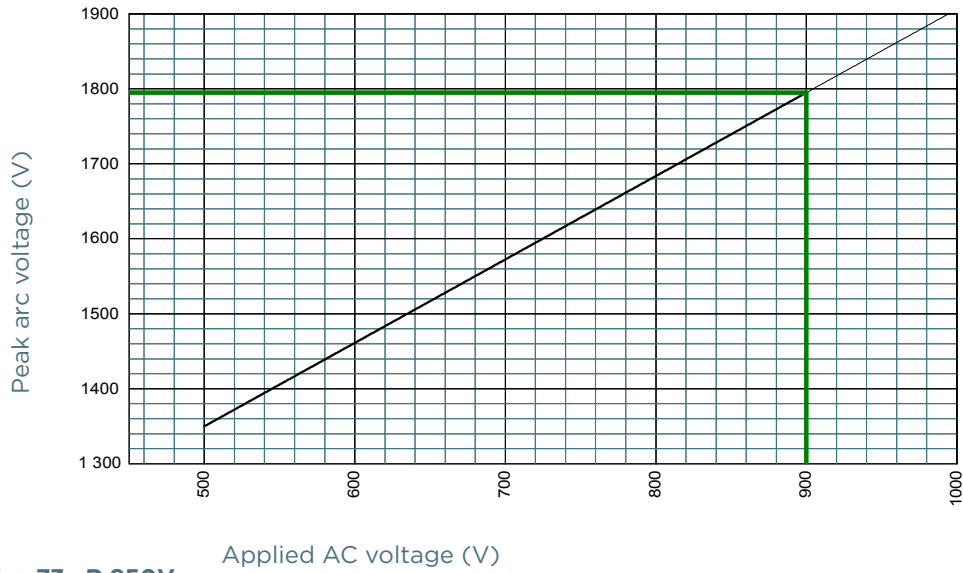


Size 73 aR 850V

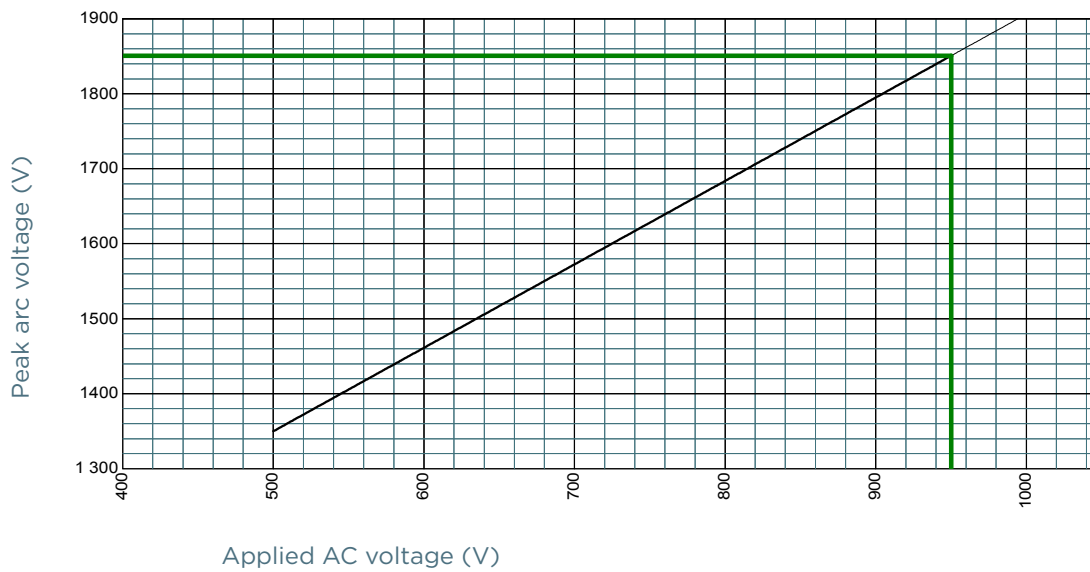


PEAK ARC VOLTAGE

Size 73 aR 900V

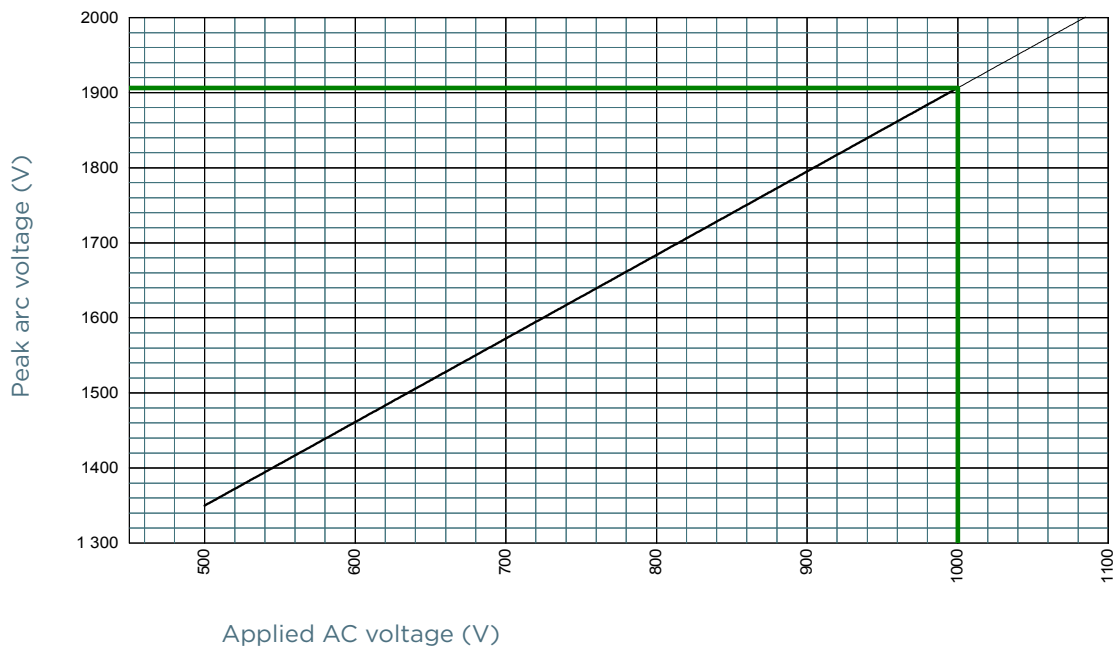


Size 73 aR 950V

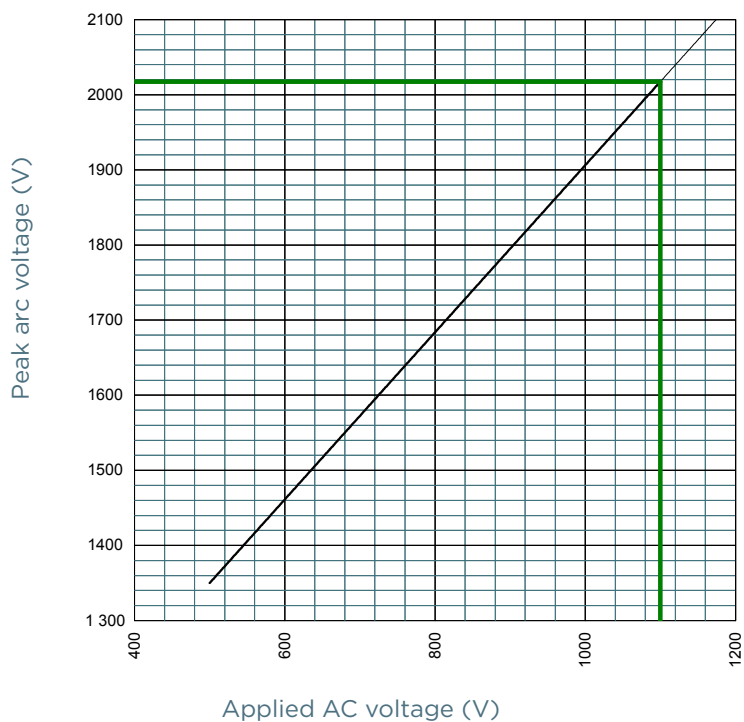


PEAK ARC VOLTAGE

Size 73 aR 1000V

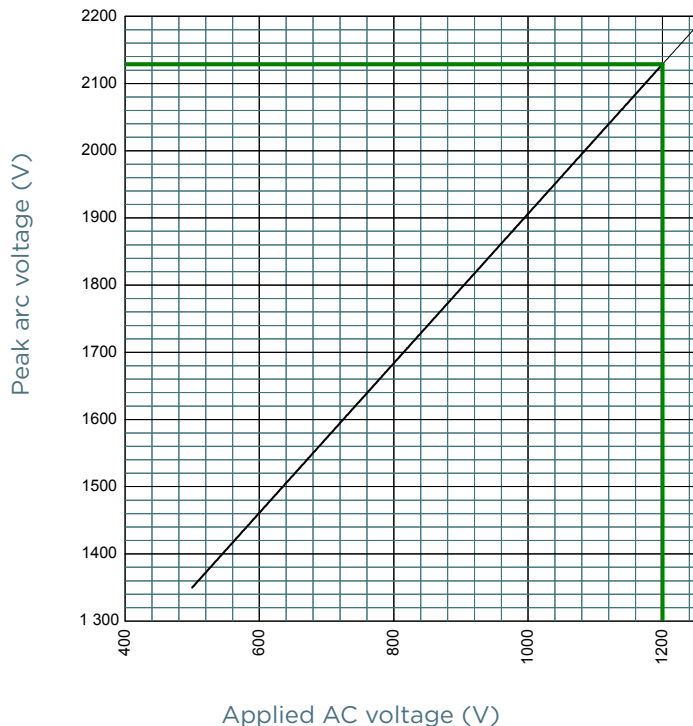


Size 73 aR 1100V

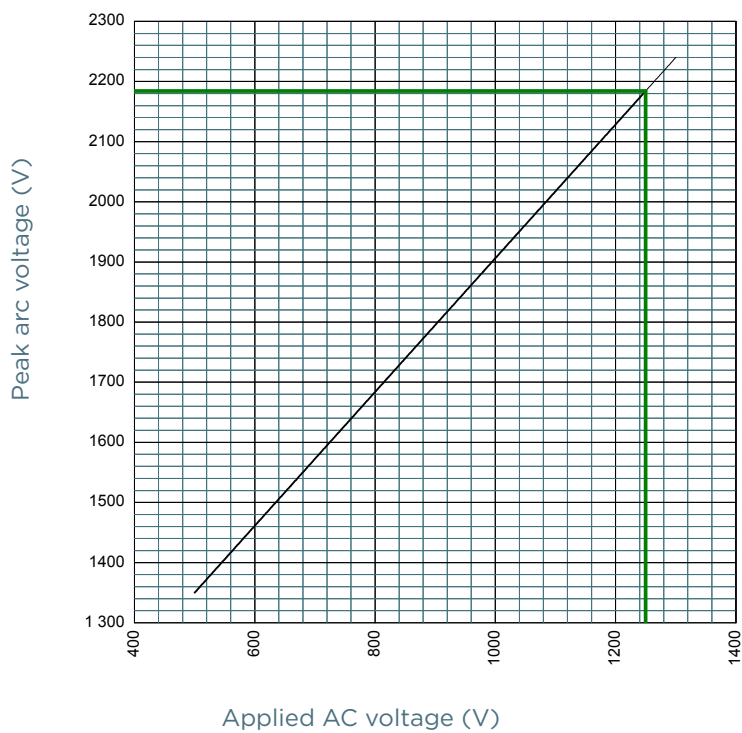


PEAK ARC VOLTAGE

Size 73 aR 1200V



Size 73 aR 1250V

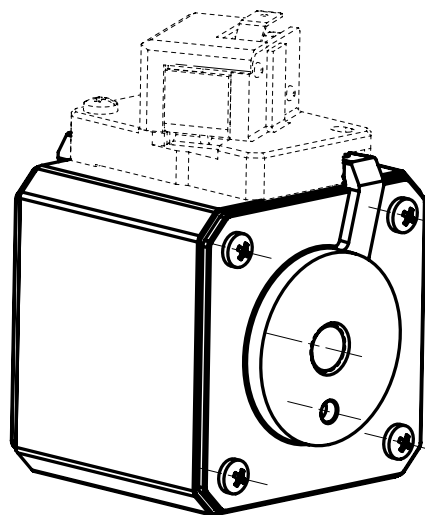
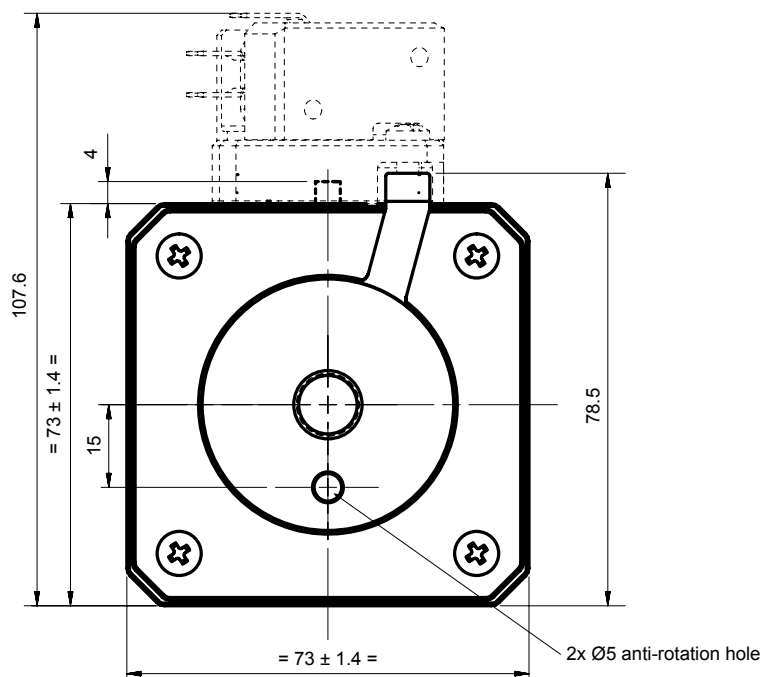
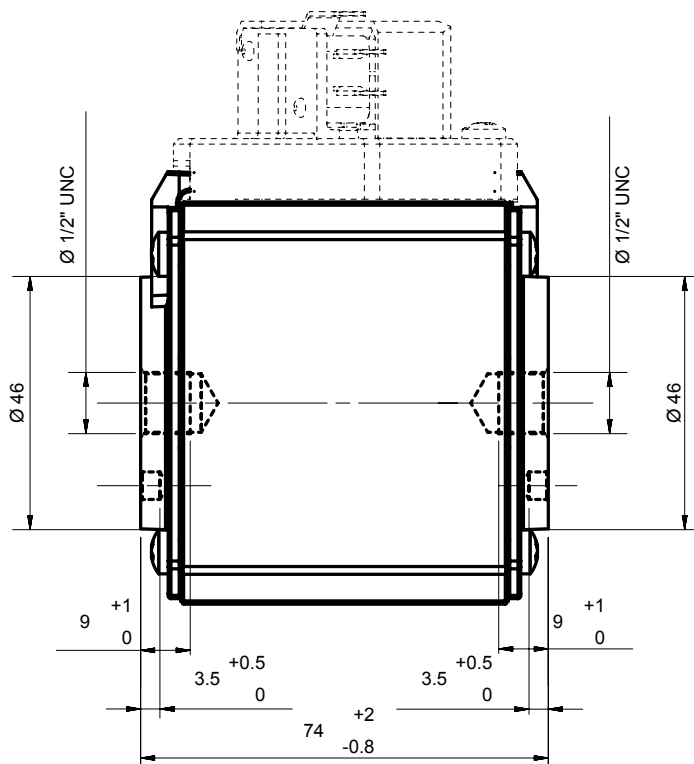


Protistor® size 73 aR

600 to 1250VAC (IEC) / 1300VAC (UL)

DIMENSIONS

size 73 aR type TTI (108460_c)



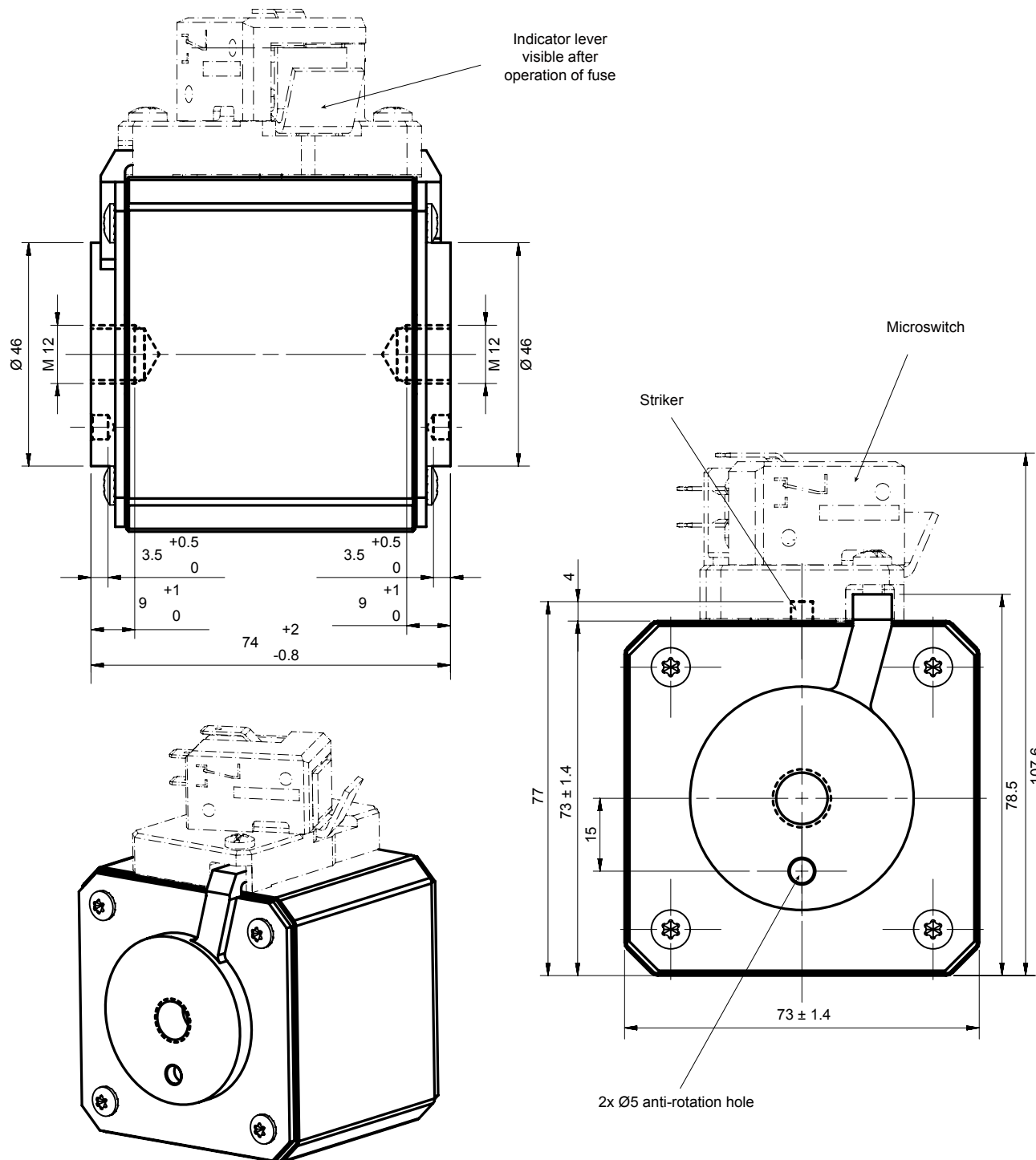
Dimensions in mm

Protistor® size 73 aR

600 to 1250VAC (IEC) / 1300VAC (UL)

DIMENSIONS

size 73 aR type TTF (105701_B)



Dimensions in mm

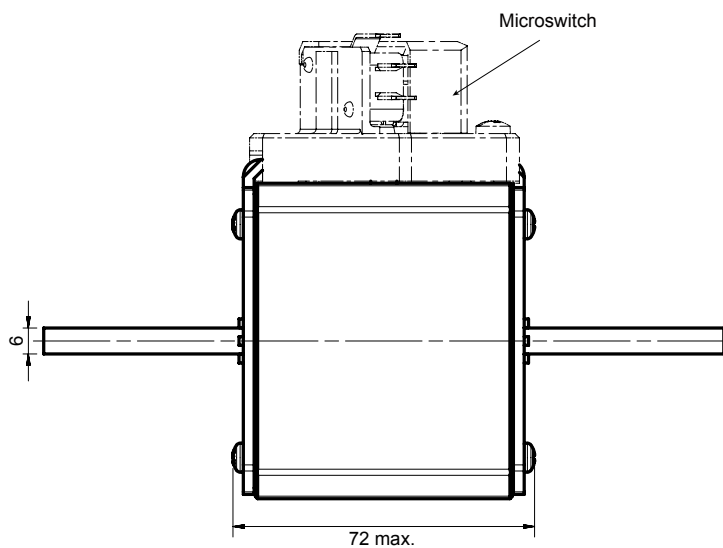
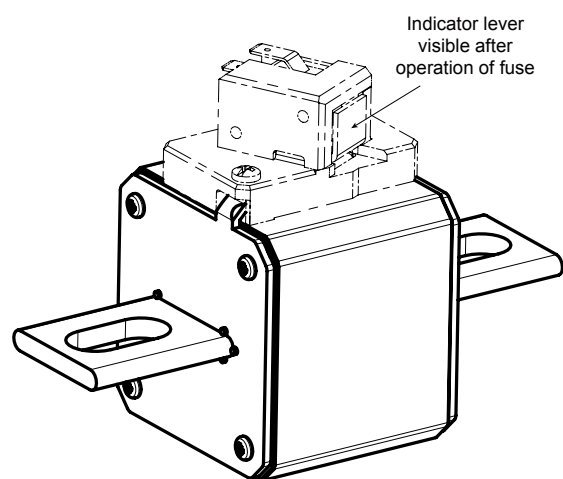
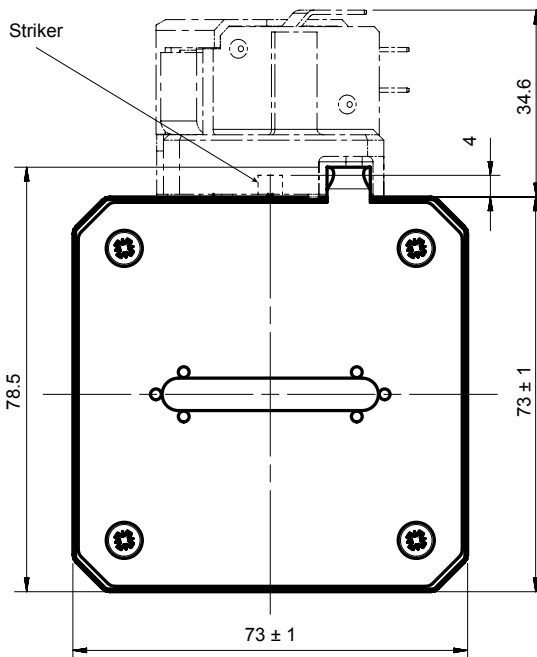
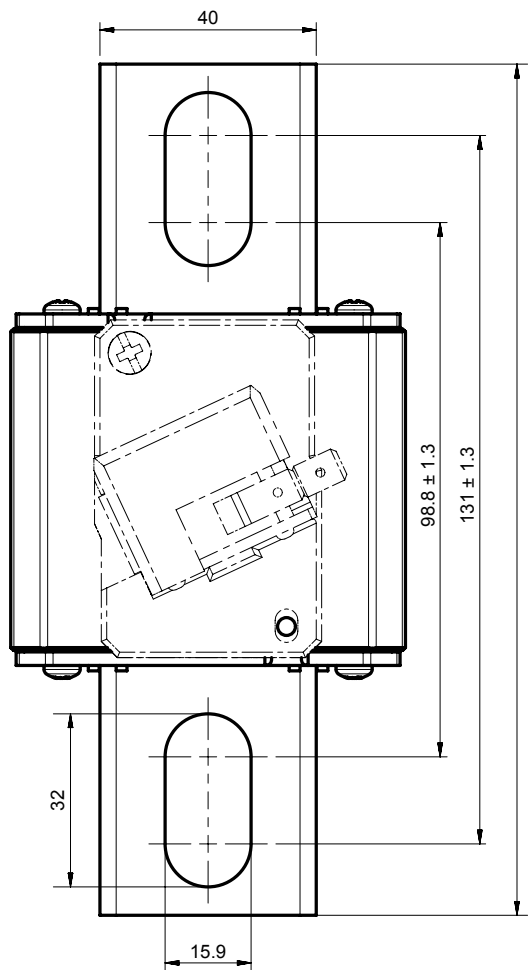
MERSEN reserves the right to change, update or correct, without notice, any information contained in this datasheet.

Protistor® size 73 aR

600 to 1250VAC (IEC) / 1300VAC (UL)

DIMENSIONS

size 73 aR type LI (105924)



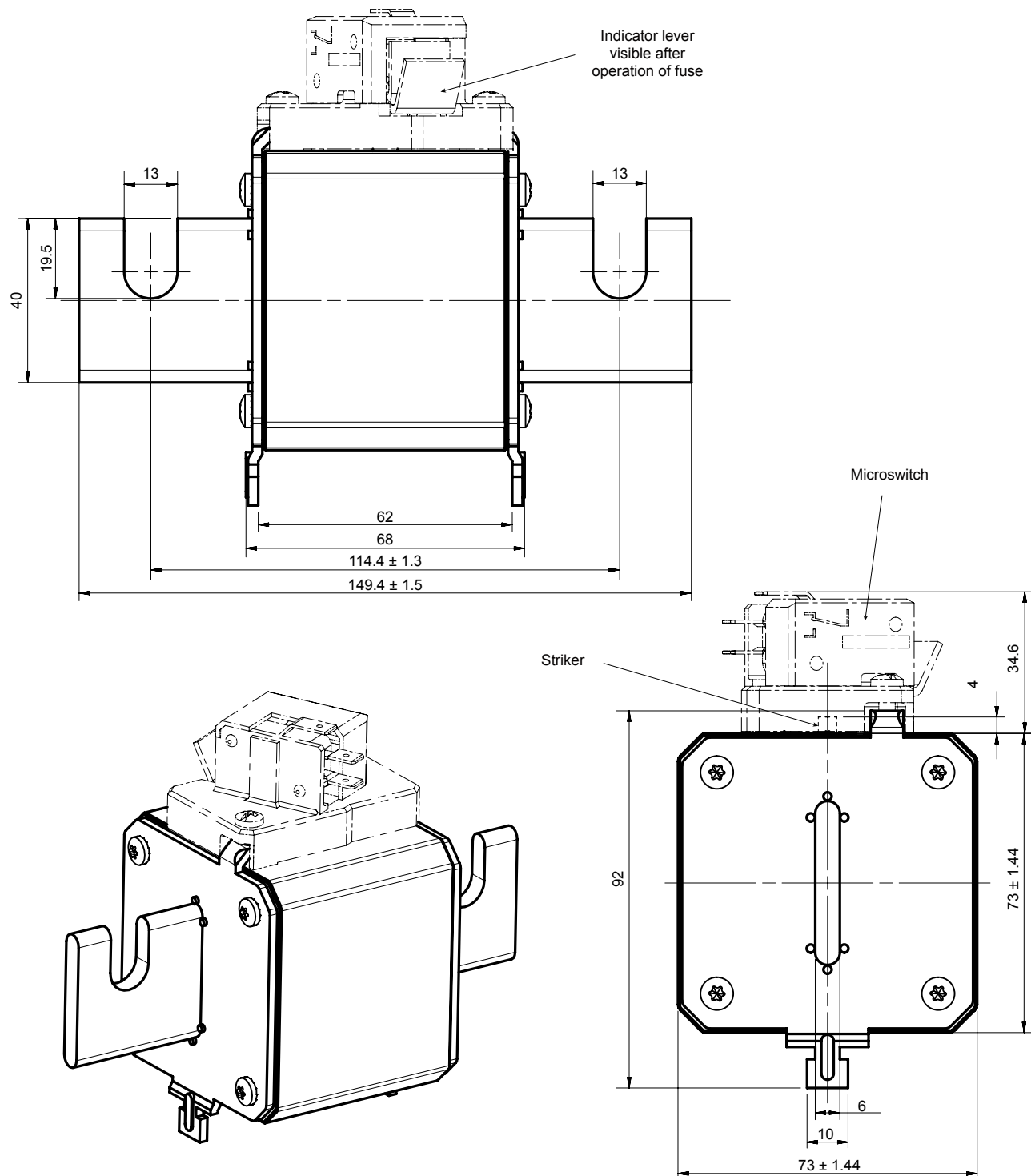
Dimensions in mm

Protistor® size 73 aR

600 to 1250VAC (IEC) / 1300VAC (UL)

DIMENSIONS

size 73 aR type EF (105882)



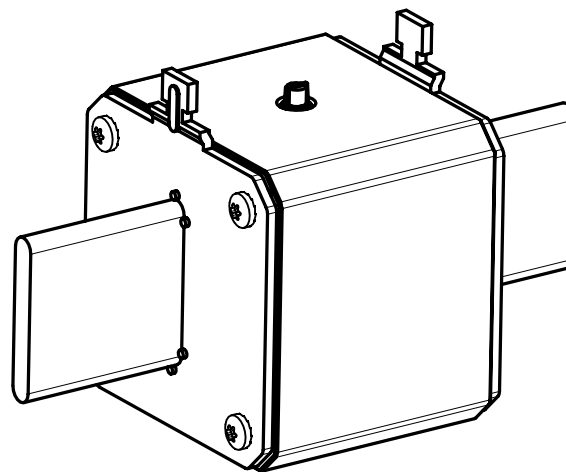
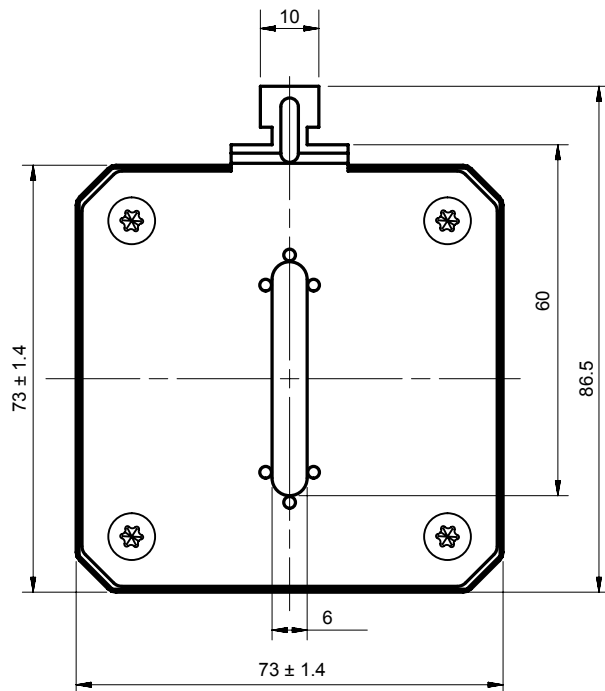
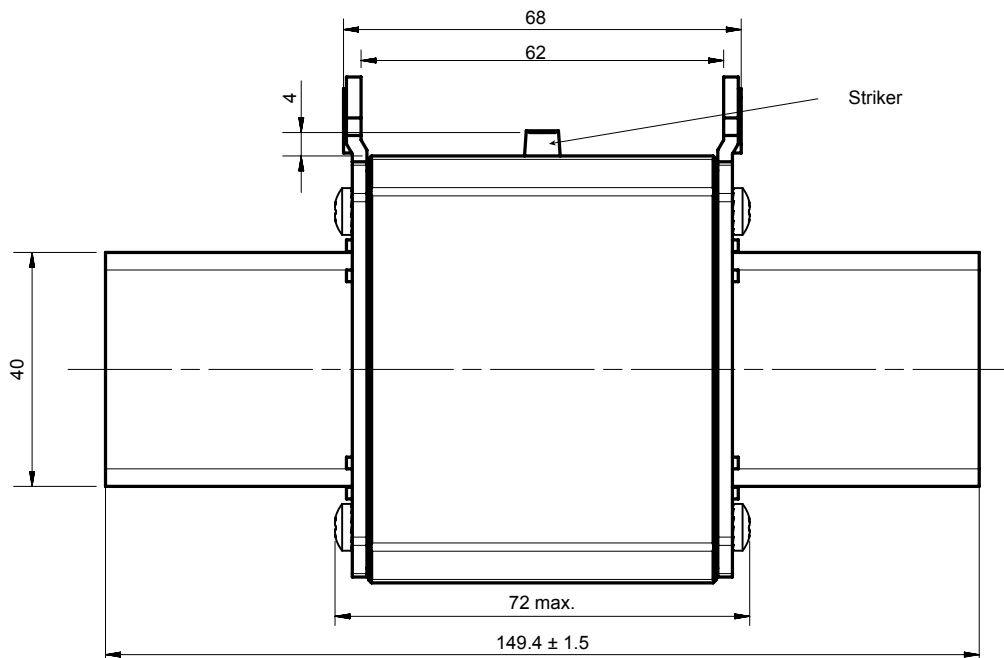
Dimensions in mm

Protistor® size 73 aR

600 to 1250VAC (IEC) / 1300VAC (UL)

DIMENSIONS

size 73 aR type PA (107132_C)



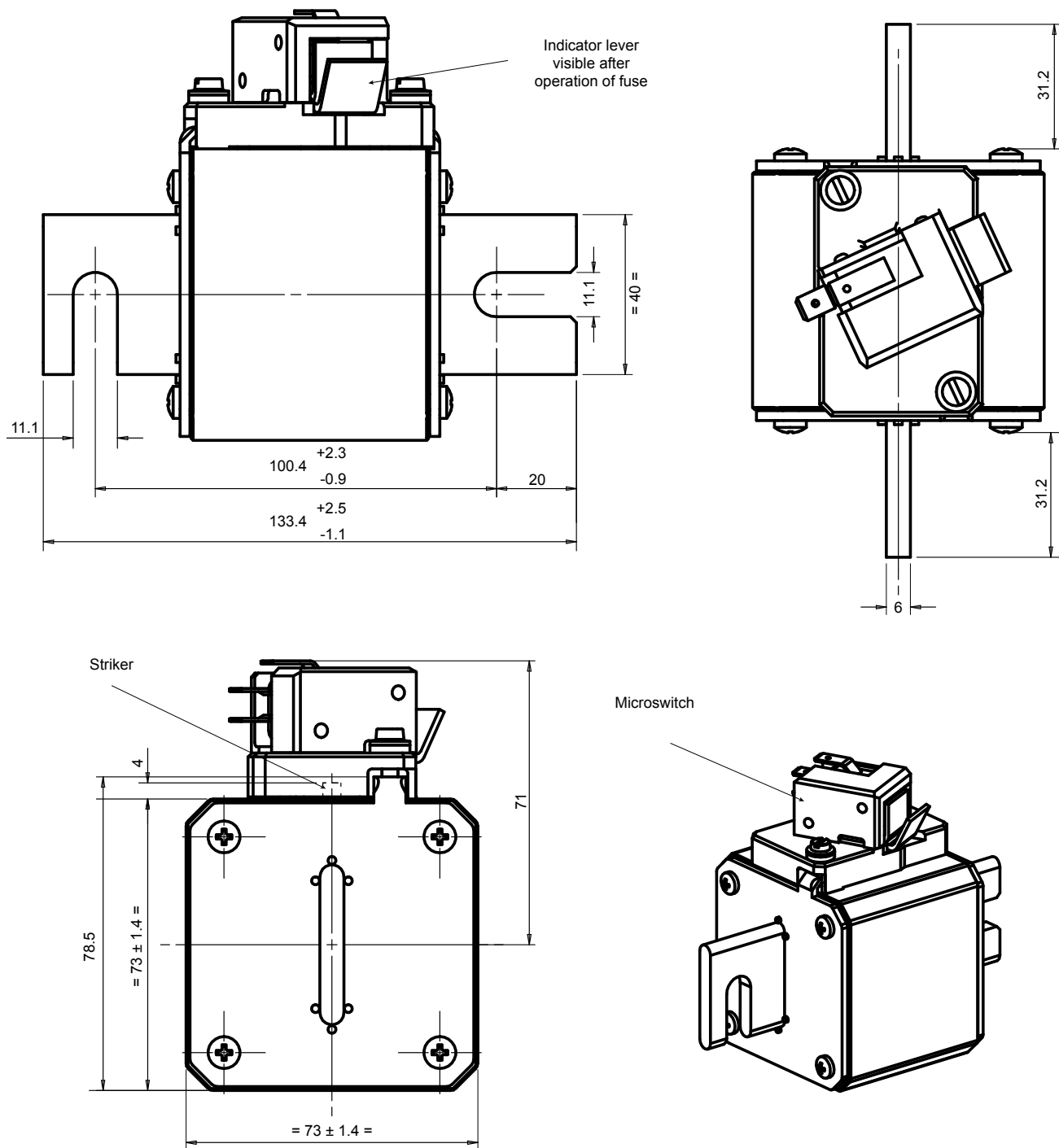
Dimensions in mm

Protistor® size 73 aR

600 to 1250VAC (IEC) / 1300VAC (UL)

DIMENSIONS

size 73 aR type DIN 110 (105714)



Dimensions in mm